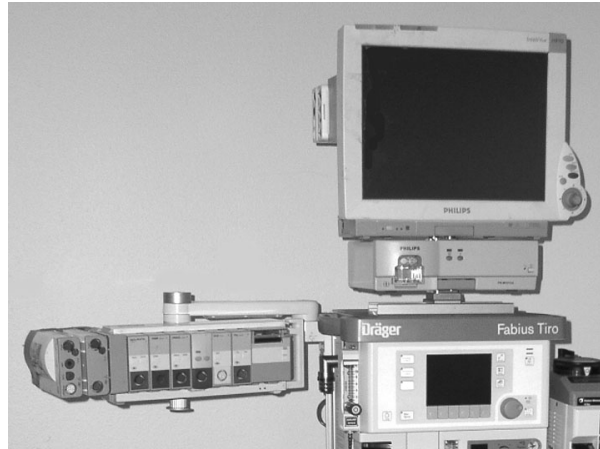


## Installation Guide

### Mounting Kit – Philips MP70/EGM/FMS on Dräger Fabius Tiro



The purpose of this guide is to describe mounting of parts on the anesthesia machine.



**WARNING:** USE OF MOUNTING HARDWARE AND MONITORING COMPONENTS OTHER THAN THOSE DESCRIBED IN THIS DOCUMENT MAY RESULT IN SERIOUS INJURY DUE TO TIPPING OF THE ANESTHESIA MACHINE.

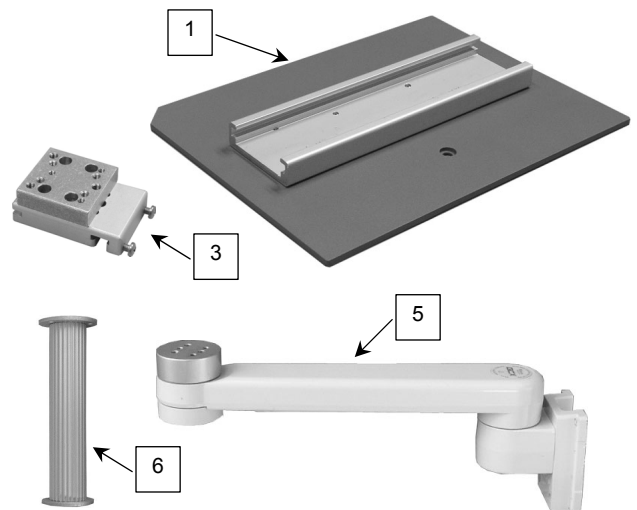
**WARNING:** ALL DEVICES AND MOUNTING EQUIPMENT SHOULD BE POSITIONED INWARD, CLOSE TO THE ANESTHESIA MACHINE, DURING TRANSPORT.

**Installer: When installation is completed, provide these instructions and all related documentation to the end user for future reference.**

### Parts Reference

The following parts and hardware are included with this installation kit (hardware not shown):

Item #	Description	Qty
1	Tiro Top Plate with 10.5" Channel	1
2	M5 x 35mm Pan Head Machine Screw (PHMS)	3
3	Horizontal Mount	1
4	M6 X 10mm Flat Head Machine Screw (FHMS)	3
5	M-Series Arm with Swivel-only Head	1
6	Down Post, 6"	1
7	#10-32 x 3/8" Socket Head Cap Screw (SHCS)	3
8	1/8" Hex Wrench	1
9	5/32" Hex Wrench	1



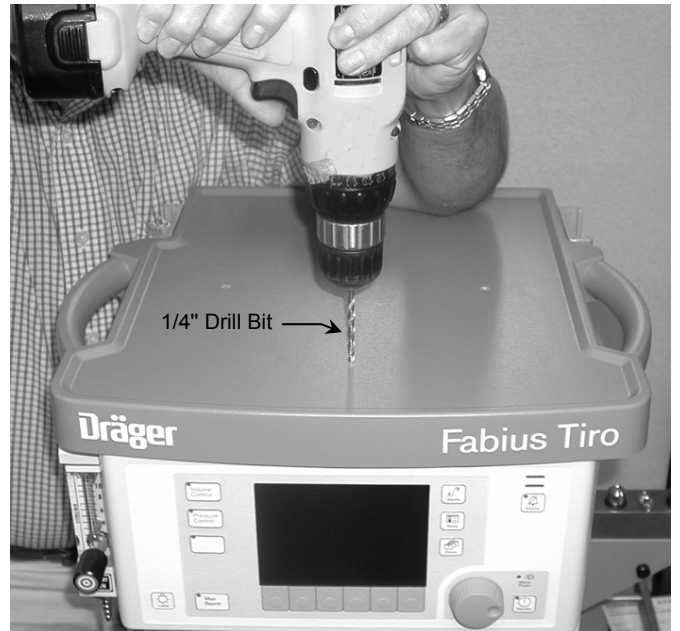
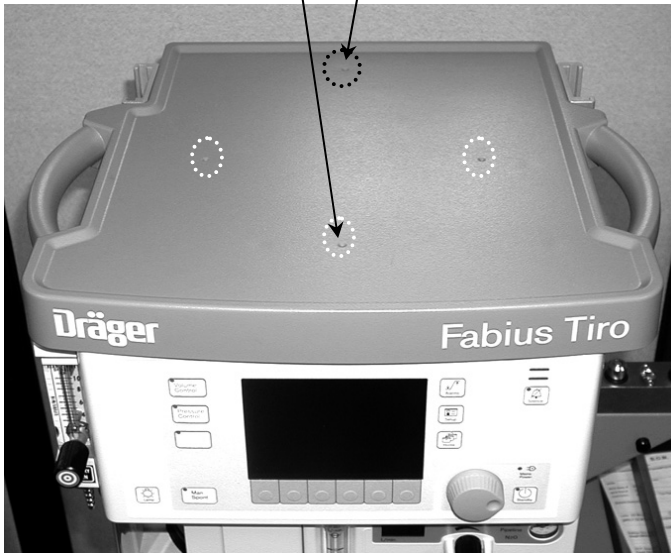
## Attaching the Top Plate

**Tools Required:** Drill, 1/4" drill bit, Phillips screwdriver.

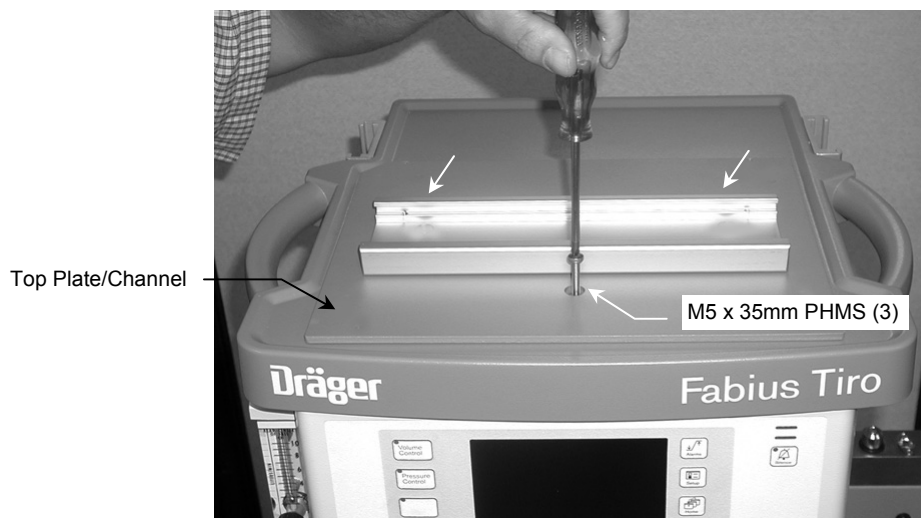
1. Find three (3) threaded inserts by locating three (3) dimples toward top front of anesthesia machine (photo below left). **Note:** Fourth dimple at rear is not used for this installation.
2. Drill holes precisely in center of dimples using a 1/4" diameter drill bit (photo below right). **CAUTION:** Do not allow drill bit to penetrate more than 1/4" into top surface. Drilling too deeply will damage insert threads and internal components of machine. Remove all drilling chips.

Dimples Indicate Location of Threaded Inserts

Fourth Dimple Not Used



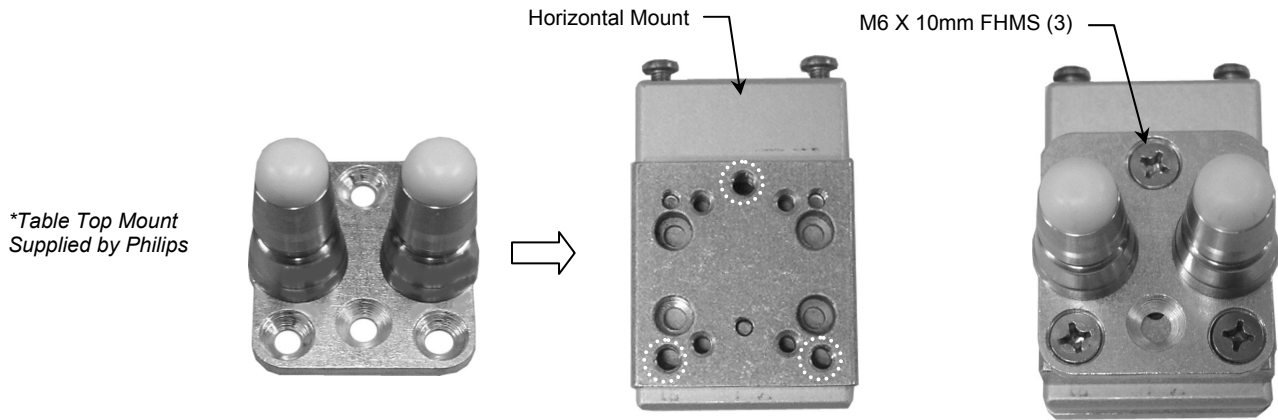
3. Align Top Plate with three (3) mounting holes toward front of machine (below). Thread three (3) M5 x 35mm PHMS through Top Plate and into holes drilled in step #2 (below).



## Attaching Philips \*Table Top Mount to Horizontal Mount

**Tools Required:** Phillips screwdriver.

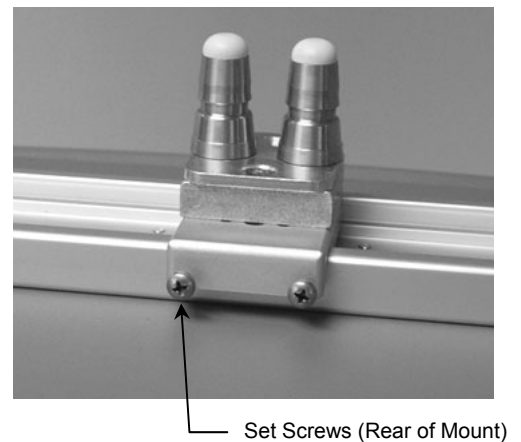
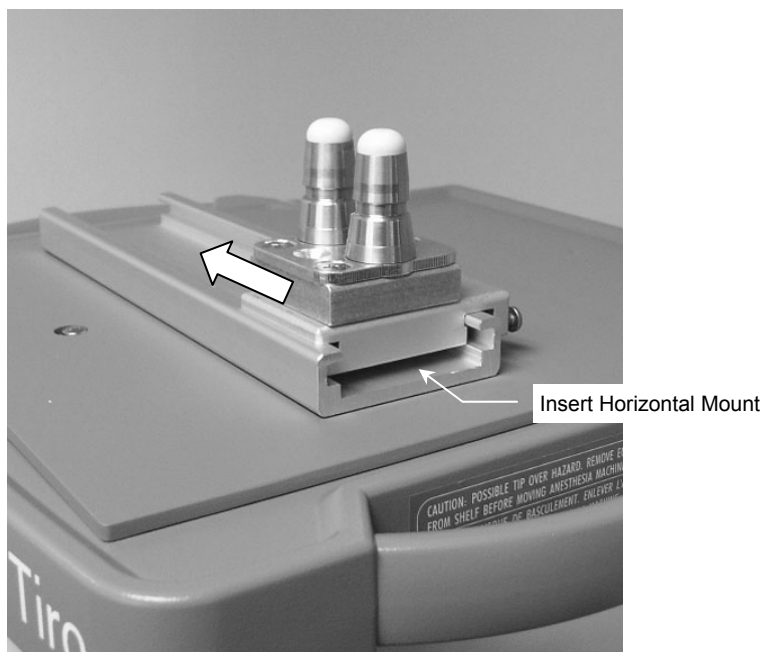
1. Fasten the Philips-supplied Table Top Mount to the Mounting Adapter with three (3) M6 x 10mm.



## Mounting Horizontal Mount in Channel

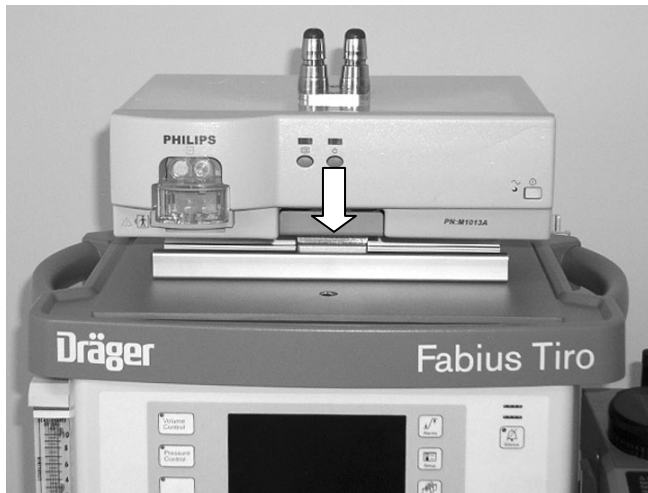
**Tools Required:** Phillips screwdriver.

1. With two (2) set screws facing oriented toward the rear of the anesthesia machine, slide Horizontal Mount into Channel and move Mount to desired instrument-mounting position (below left).
2. Tighten two (2) Phillips-head set screws at rear of Horizontal Mount to prevent movement of Mount (below right).



## Mounting Instruments on the Table Top Mount

Mount instruments in accordance with Philips mounting instructions.



## Attaching the Tip Caution Label to the Machine

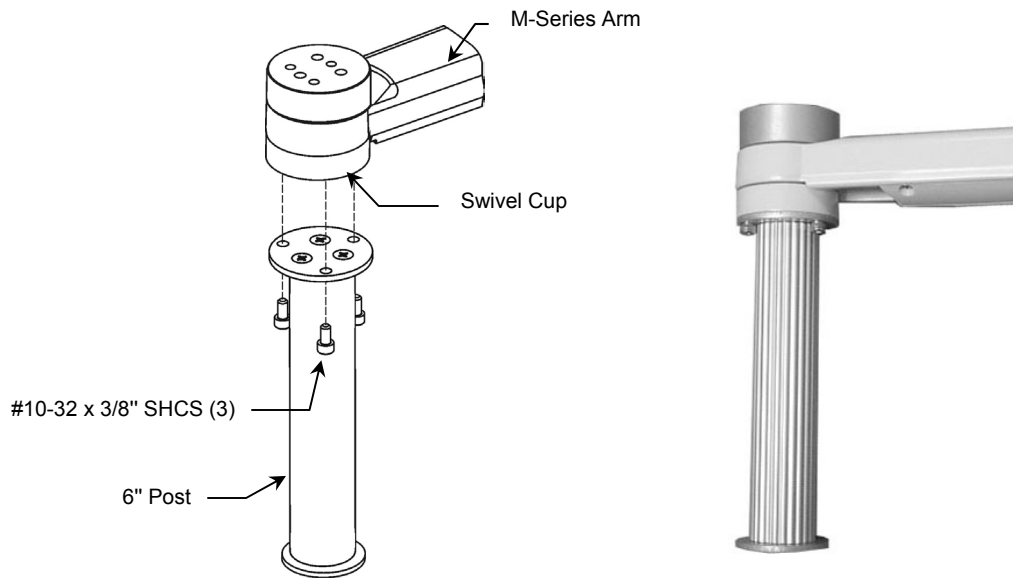
1. Remove backing and attach Tip Caution Label to front center of blue top shelf bezel as shown below.



## Attaching Down Post to M-Series Arm

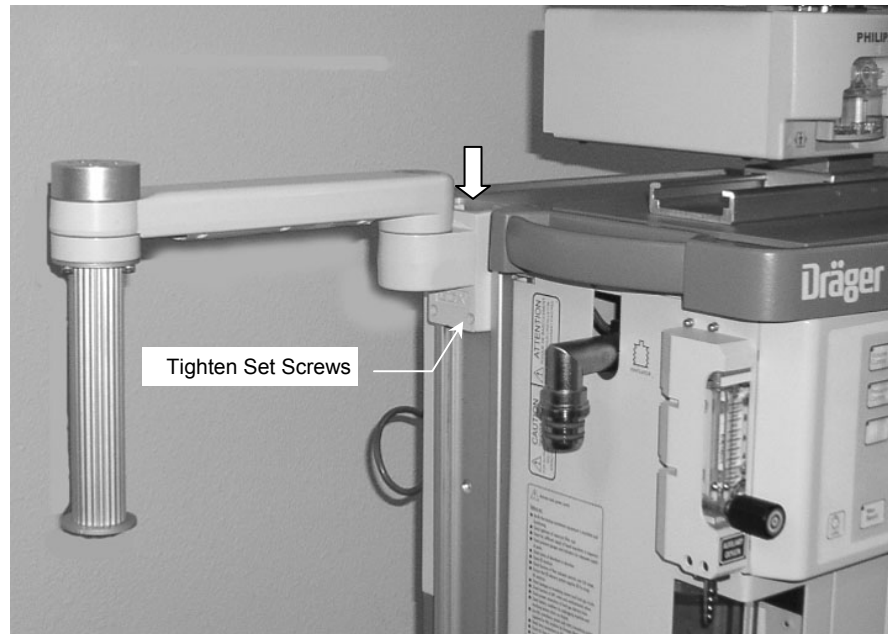
**Installation Note:** Attachment procedure is same for either 6" or 12" Post.

1. Remove plastic bolt cap from bottom of Swivel Cup (not shown).
2. Select required length of Down Post (6" or 12"). Using the 5/32" hex wrench provided, fasten Post to Swivel Cup with three (3) #10-32 x 3/8" SHCS as shown below.



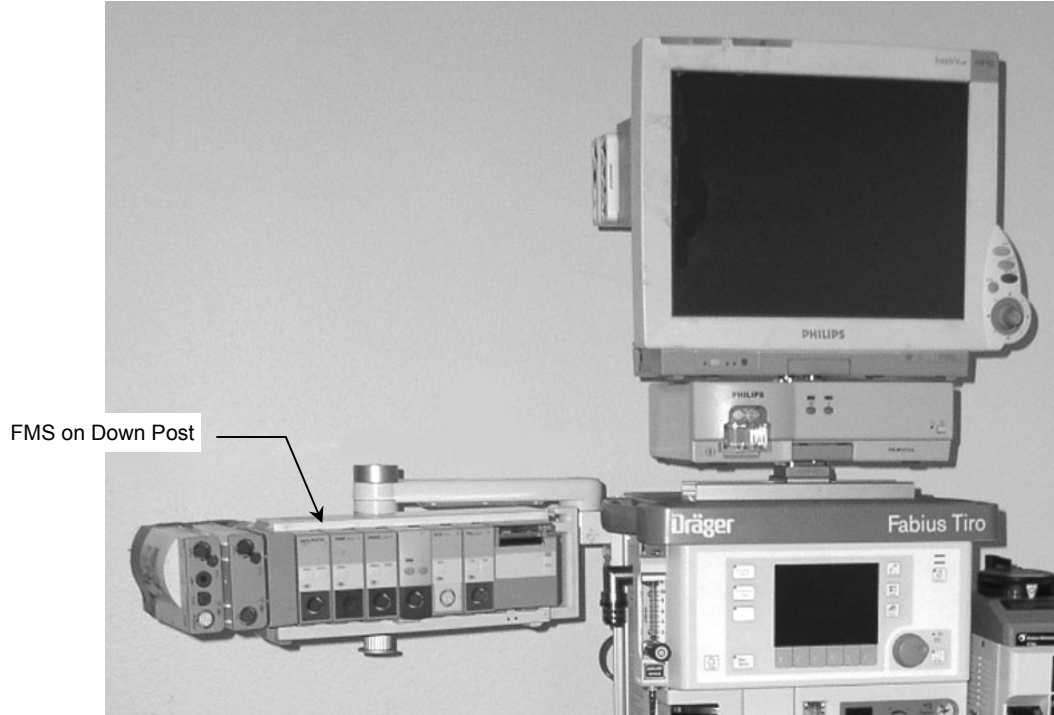
## Mounting M-Series Arm in Upper Left Side Channel

1. Insert Slide (rear of Arm) into top of channel and move to desired mounting position. Using 1/8" hex wrench provided, tighten two socket set screw at bottom of Slide.



## Mounting FMS on Down Post

1. Follow Philips instructions for mounting FMS on Down Post. A Philips-supplied clamp is required for this installation.



## Cleaning the Mounting System

**CAUTION:** GCX makes no claims regarding the efficacy of the listed chemicals or processes as a means for controlling infection. Consult your hospital's infection control officer or epidemiologist. To clean or sterilize mounted instruments or accessory equipment, refer to the specific instructions delivered with those products.

1. The mounting assembly may be cleaned with most mild, non-abrasive solutions commonly used in the hospital environment (e.g. diluted bleach, ammonia, or alcohol solutions).
2. The surface finish will be permanently damaged by strong chemicals and solvents such as acetone and trichloroethylene.
3. Do not use steel wool or other abrasive material to clean the mounting assembly.
4. Damage caused by the use of unapproved substances or processes will not be covered by warranty. We recommended that you test any cleaning solution on a small area of the arm that is not visible to verify compatibility.
5. Never submerge or allow liquids to enter the mounting assemblies. Wipe any cleaning agents off parts immediately, using a water-dampened cloth. Dry all parts thoroughly after cleaning.