

## Installation Guide

### Mounting Kit – Philips MP20/30/40/50 on Top and EGM on Side of Dräger Fabius Tiro



The purpose of this guide is to describe mounting of Top Plate and M-Series Arm, and operation and adjustment of Mounts.



**WARNING:** USE OF MOUNTING HARDWARE AND MONITORING COMPONENTS OTHER THAN THOSE DESCRIBED IN THIS DOCUMENT MAY RESULT IN SERIOUS INJURY DUE TO TIPPING OF THE ANESTHESIA MACHINE.

**WARNING:** ALL DEVICES AND MOUNTING EQUIPMENT SHOULD BE POSITIONED INWARD, CLOSE TO THE ANESTHESIA MACHINE, DURING TRANSPORT.

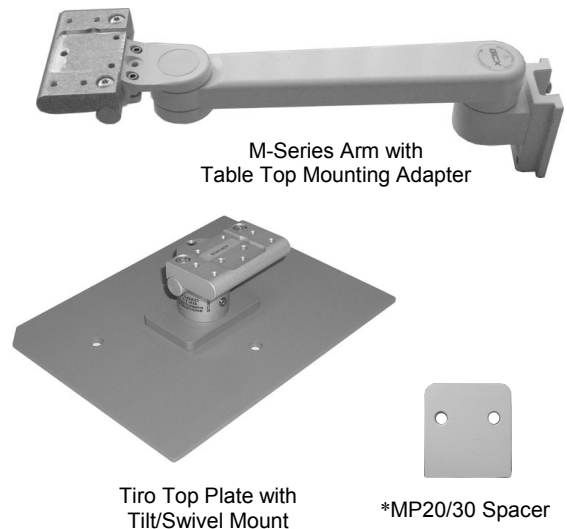
**Installer:** When installation is completed, provide these instructions and all related documentation to the end user for future reference.

### Parts Reference

The parts list below includes the parts and hardware that will be used in this installation procedure (see photo for parts; hardware not shown).

Item #	Description	Qty
1	Tiro Top Plate with Tilt/Swivel Mount	1
2	M5 x 35mm Pan Head Machine Screw (PHMS)	3
3	M-Series Arm with Table Top Mounting Adapter	1
4	M6 x 8mm Flat Head Machine Screw (FHMS)	4
5	M6 x 12mm FHMS	2
*6	Spacer, MP20/30	1
*7	M6 x 16mm Socket Head Cap Screw (SHCS)	2
8	1/8" Hex Key	1
9	5/32" Hex Key	1
10	3/16" Hex Key	1

\* See "Mounting MP20/30 on non-Table Top Mount" (page 5) for use of these parts.



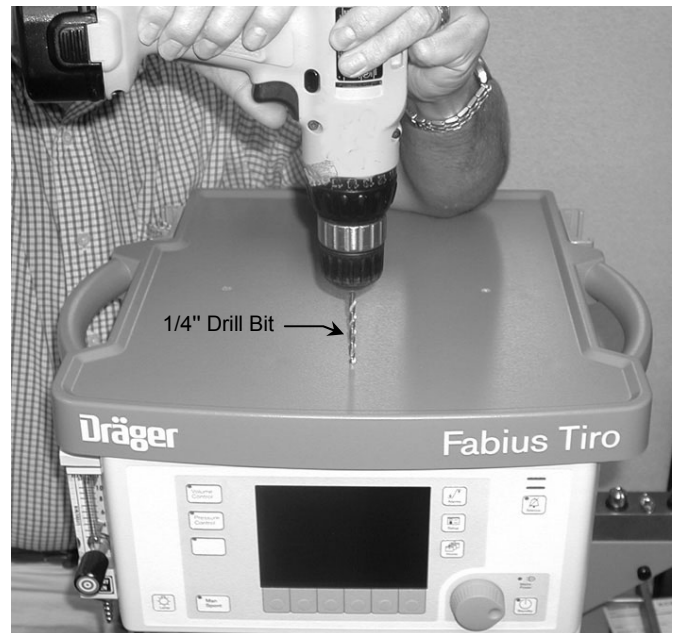
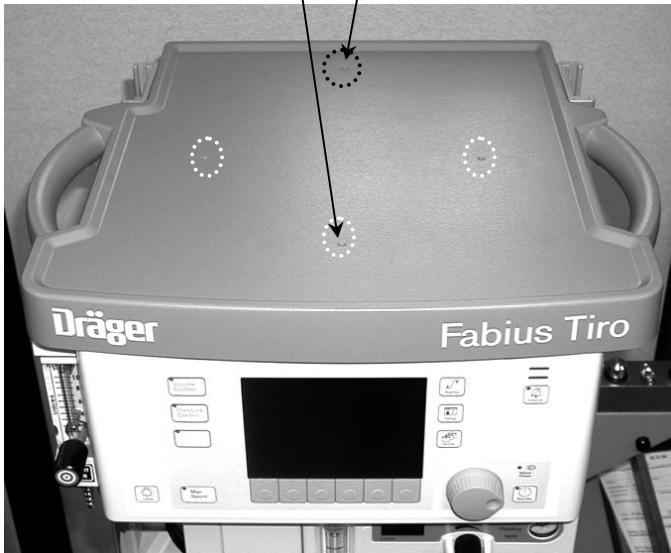
## Attaching the Top Plate

**Tools Required:** Drill, 1/4" drill bit, Phillips screwdriver.

1. Find three (3) threaded inserts by locating three (3) dimples toward top front of anesthesia machine (photo below left). **Note:** Fourth dimple at rear is not used for this installation.
2. Drill holes precisely in center of dimples using a 1/4" diameter drill bit (photo below right). **CAUTION:** Do not allow drill bit to penetrate more than 1/4" into top surface. Drilling too deeply will damage insert threads and internal components of machine. Remove all drilling chips.

Dimples Indicate Location of Threaded Inserts

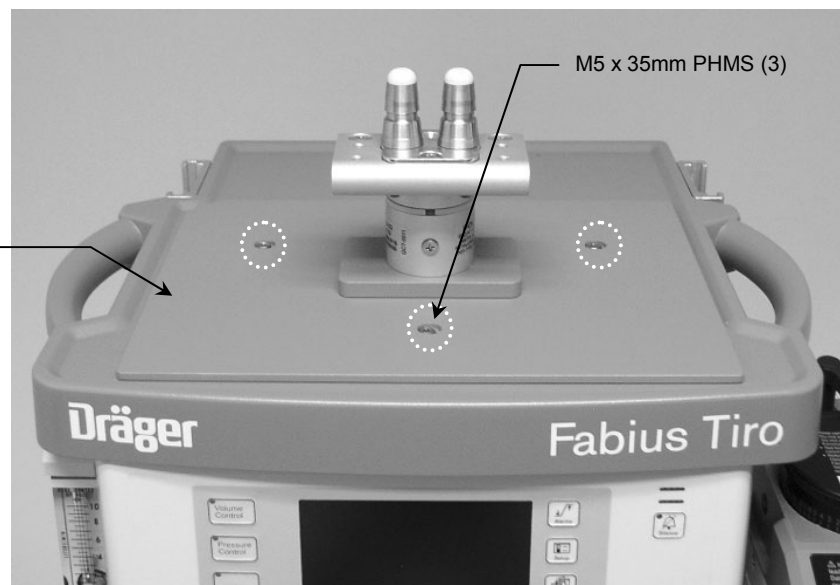
Fourth Dimple Not Used



3. Align Top Plate with three (3) mounting holes toward front of machine (below). Thread three (3) M5 x 35mm PHMS through Top Plate and into holes drilled in step #2 (below).

Top Plate with Tilt/Swivel Mount

M5 x 35mm PHMS (3)

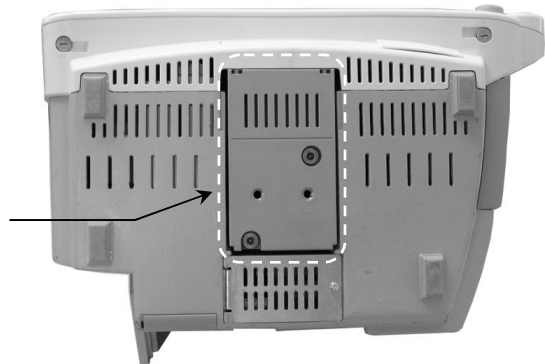


## Attaching the \*Philips Table Top Mount to Mounting Adapters on Tilt/Swivel Mount & M-Series Arm

**Tools Required:** Phillips screwdriver.

**Installation Note:** Do not attach the Table Top Mount to the Arm/Mounting Adapter if you will be mounting an MP20/30 monitor equipped with the mounting interface shown in below. See "Mounting MP20/30 on non-Table Top Mount" (page 5) for instructions specific to this type of mounting plate.

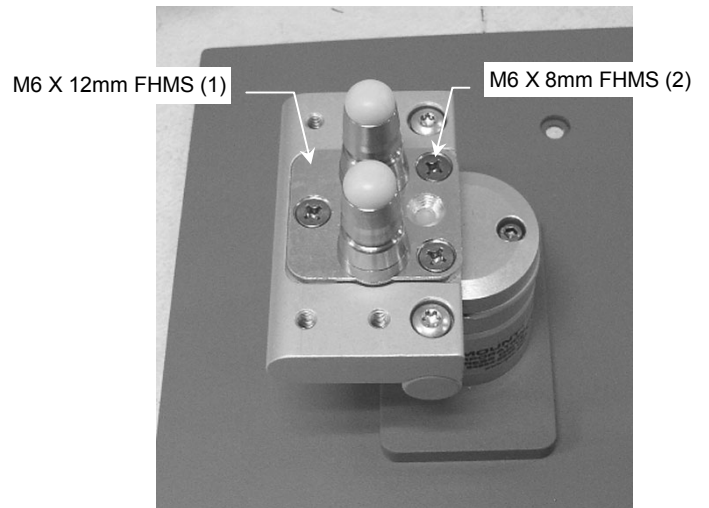
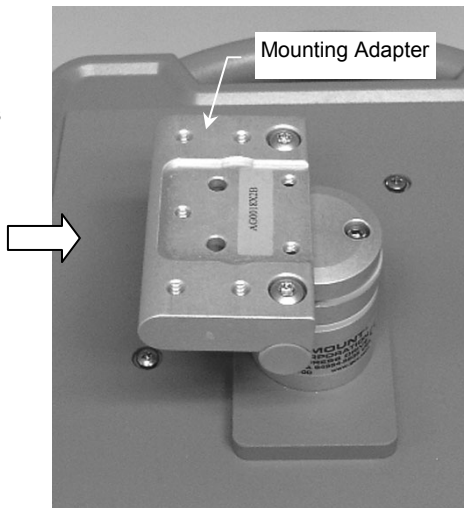
Do Not Attach Table Top Mount if MP20/30 Monitor is Equipped with This Mounting Interface



1. Fasten a Philips-supplied Table Top Mount to each Mounting Adapter (Arm and Tilt/Swivel Mount) with one (1) M6 x 12mm FHMS and two (2) M6 x 8mm FHMS (both Mounts shown below).

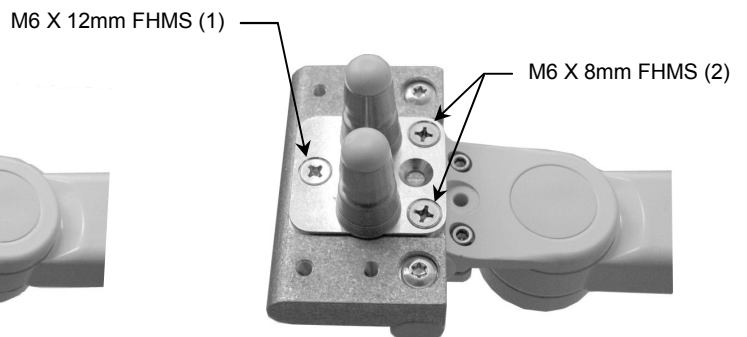
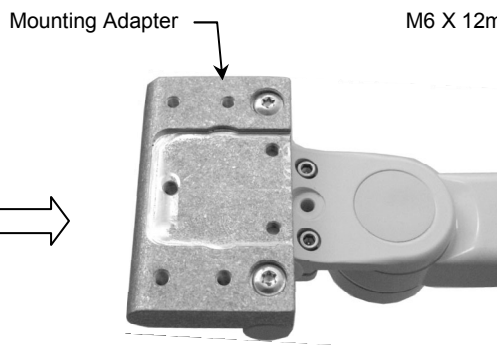
### Tilt/Swivel Mount

Table Top Mount  
\*Supplied by Philips



### M-Series Arm

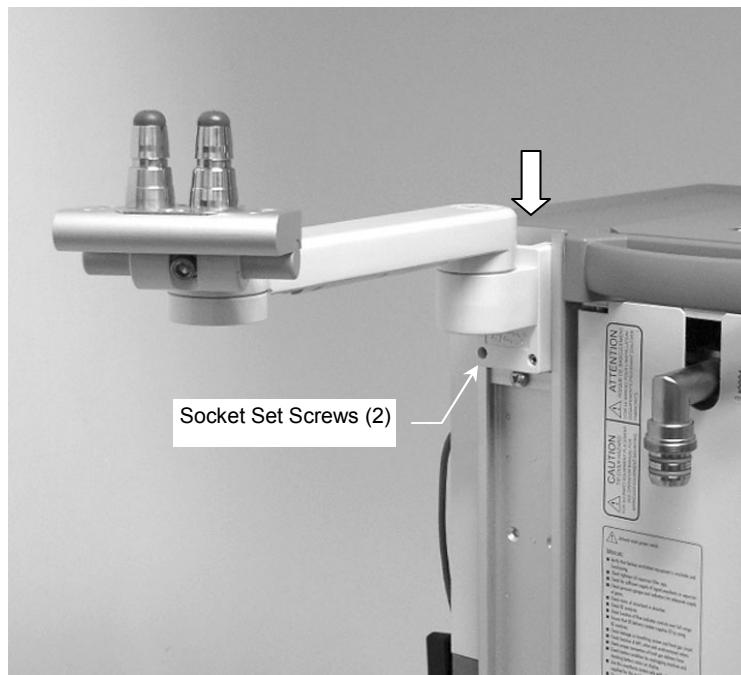
Table Top Mount  
\*Supplied by Philips



## Mounting the M-Series Arm on the Machine

**Tools Required:** 1/8" hex key.

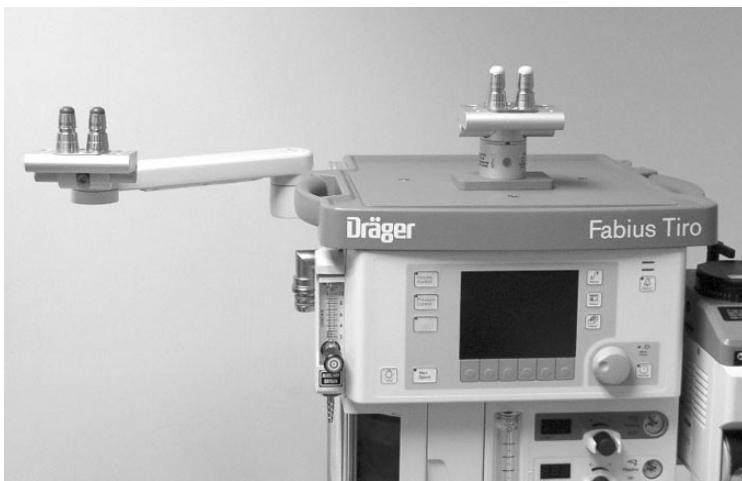
1. While supporting the bottom of the Arm, guide the Slide (at rear of Arm) into the top of the wall channel. Slide the Arm to the desired position in the channel and tighten two (2) socket set screws (bottom of the Slide) using the 1/8" key provided.



## Mounting the Instruments

### Mounting on Table Top Mounts

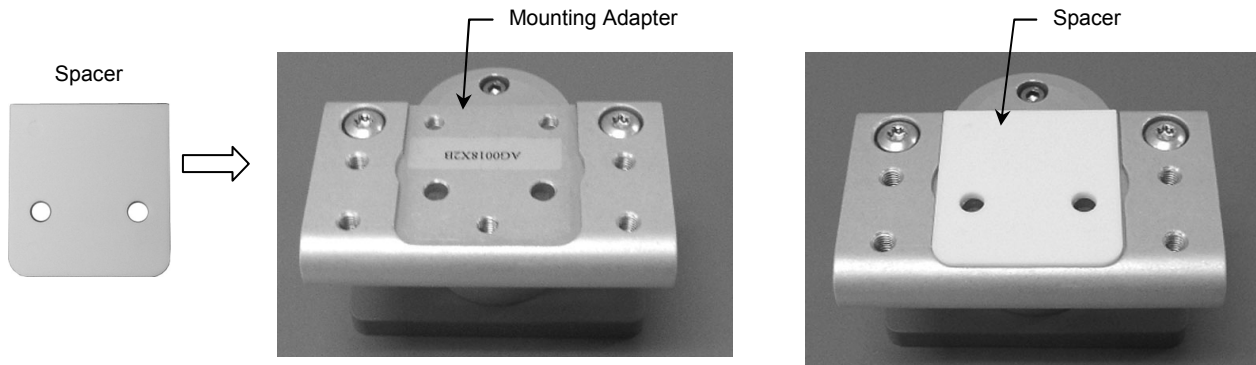
Mount instruments in accordance with Philips Table Top Mount instructions.



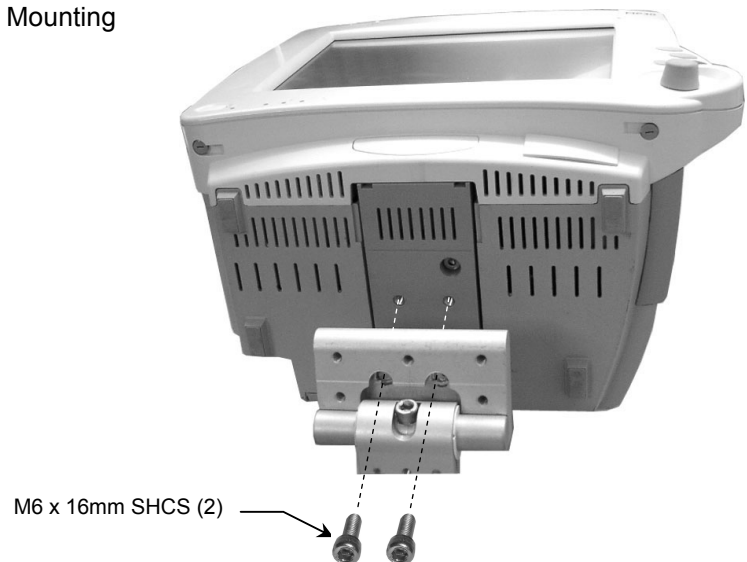
## Mounting MP20/30 on non-Table Top Mount

**Tools Required:** 3/16" hex key.

1. Fit Spacer into recessed area on top of Mounting Adapter (below). Ensure Spacer remains between Mounting Adapter and monitor.



2. Using the 3/16" hex key, fasten the monitor to the Mounting Adapter with two (2) M6 x 16mm SHCS.



## Attaching the Tip Caution Label to the Machine

1. Remove backing and attach Tip Caution Label to front center of blue top shelf bezel as shown below.

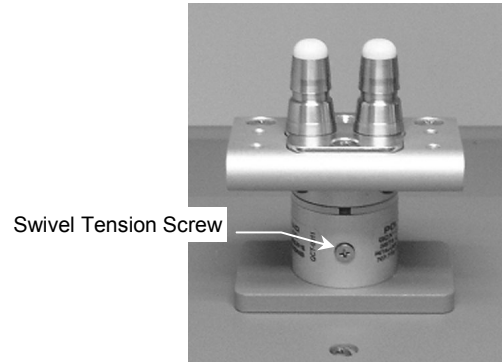


## Adjusting Swivel and Tilt Tension on the Tilt/Swivel Mount

**Tools Required:** Phillips screwdriver and 5/32" hex key.

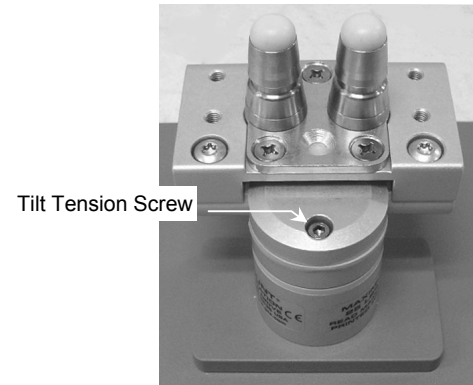
### Swivel Tension

Using a Phillips screwdriver, tighten or loosen the swivel tension screw.



### Tilt Tension

Using the 5/32" hex key provided, tighten or loosen the tilt tension screw.



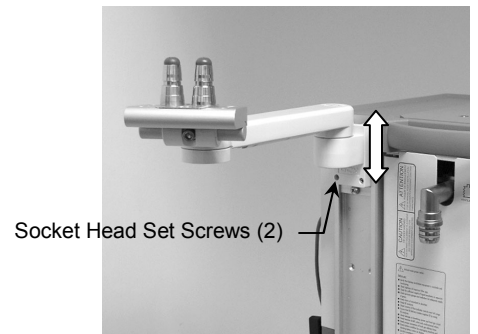
## M-Series Arm Operation and Adjustment

### Positioning Arm in Channel

**WARNING:** Do not attempt to remove the Arm from the Channel while an instrument is mounted.

1. While \*supporting the weight of the mounted instrument, loosen the two (2) socket head set screws (SHSS) in the Slide. A 1/8" hex key is provided for this task.
2. Push up or pull down at the end of the arm nearest the Slide. Tighten the set screws to secure the Arm in the Channel.

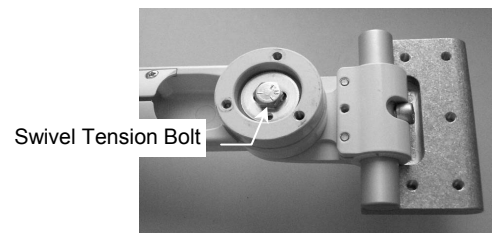
*\* It may be necessary to dismount instrument before adjusting Arm in Channel.*



### Swiveling the Mounted Instrument

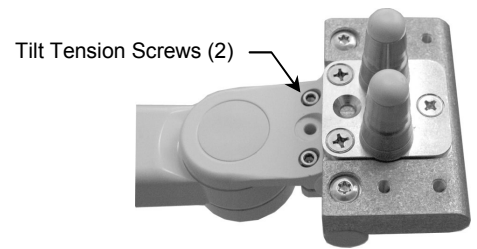
In most configurations, the mounted instrument may be swiveled and swivel tension can be adjusted:

1. To swivel the mounted instrument simply push or pull the corners of the instrument.
2. To adjust swivel tension, remove bolt cap or existing Down Post from Swivel Cup (bottom of front end of Arm). Tighten or loosen the Swivel Tension Bolt using a 1/2" [13 mm] socket driver.



### Tilting the Mounted Instrument

1. To tilt the instrument, grasp the top and bottom of the instrument and tilt it to the desired angle.
2. To adjust tilt tension, equally tighten or loosen the two (2) tilt tension screws using the supplied 5/32" hex key.



### Pivoting the Arm

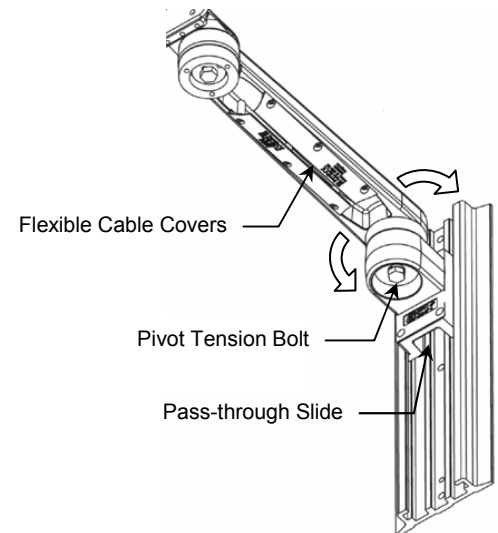
1. To pivot the Arm at the Slide, simply push on the side of the Arm or mounted instrument.
2. To adjust pivot tension, loosen or tighten the Pivot Tension Bolt using a 1/2" [13 mm] socket driver.

### Cable Management

Two cable management features allow convenient placement and flow of cables:

1. An open cavity beneath the arm (with flexible cable covers) allows management of cables between the front and rear of the arm.
2. A "pass-through" channel at the rear of the slide allows cables to pass behind the arm within the Channel.

**Note:** If cable connectors are too large to fit through the pass-through, try placing the cables in the "pass-through" before installing the arm in the Channel. Contact GCX for optional Channel Covers available to further manage the flow of cables in the Channel.



### Cleaning the Mounting System

**CAUTION:** GCX makes no claims regarding the efficacy of the listed chemicals or processes as a means for controlling infection. Consult your hospital's infection control officer or epidemiologist. To clean or sterilize mounted instruments or accessory equipment, refer to the specific instructions delivered with those products.

1. The mounting assembly may be cleaned with most mild, non-abrasive solutions commonly used in the hospital environment (e.g. diluted bleach, ammonia, or alcohol solutions).
2. The surface finish will be permanently damaged by strong chemicals and solvents such as acetone and trichloroethylene.
3. Do not use steel wool or other abrasive material to clean the mounting assembly.
4. Damage caused by the use of unapproved substances or processes will not be covered by warranty. We recommend that you test any cleaning solution on a small area of the arm that is not visible to verify compatibility.
5. Never submerge the arm, and do not allow liquids to enter the arm. Wipe any cleaning agents off of the arm immediately, using a water-dampened cloth. Dry the arm thoroughly after cleaning.