

Installation Guide

Philips Intellivue MP90 Installation Kit for Dräger Fabius GS Anesthesia Machine

The purpose of this guide is to describe installation of mounting assemblies on the anesthesia machine.

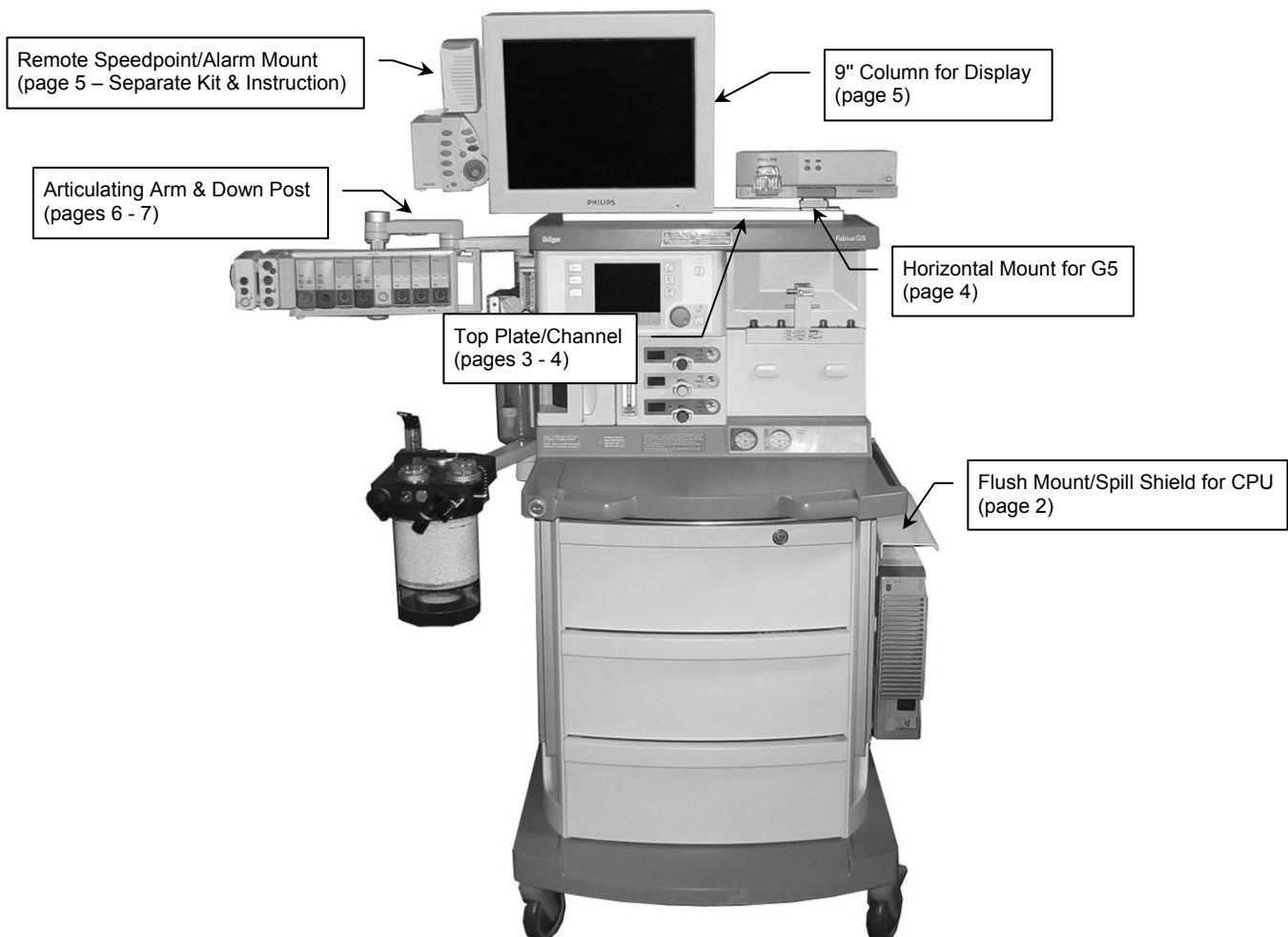


WARNING: USE OF MOUNTING HARDWARE AND MONITORING COMPONENTS OTHER THAN THOSE DESCRIBED IN THIS DOCUMENT MAY RESULT IN SERIOUS INJURY DUE TO TIPPING OF THE ANESTHESIA MACHINE.

WARNING: ALL DEVICES AND MOUNTING EQUIPMENT SHOULD BE POSITIONED INWARD, CLOSE TO THE ANESTHESIA MACHINE, DURING TRANSPORT.

Installer: *When installation is completed, provide these instructions and all related documentation to the end user for future reference.*

Mounts for MP90



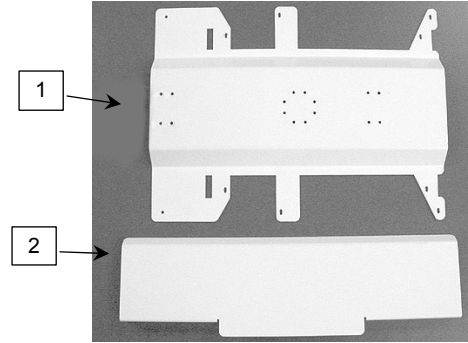
Mounting CPU in Right Rear Channel of Fabius GS

The following parts and hardware will be used in this installation (hardware not shown):

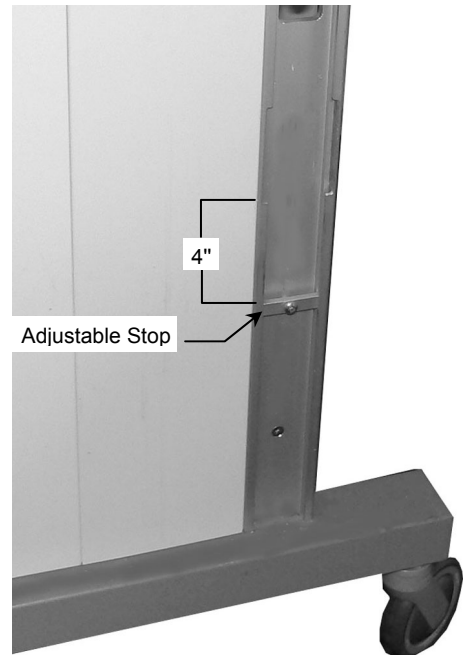
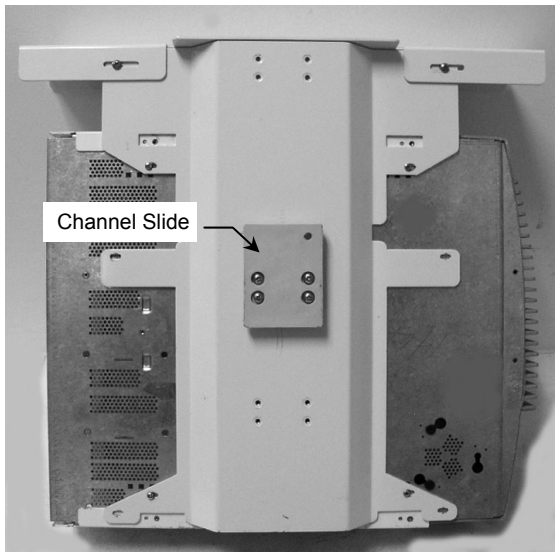
Item #	Description	Qty
1	Mounting Pan	1
2	Spill Shield	1

Tools required

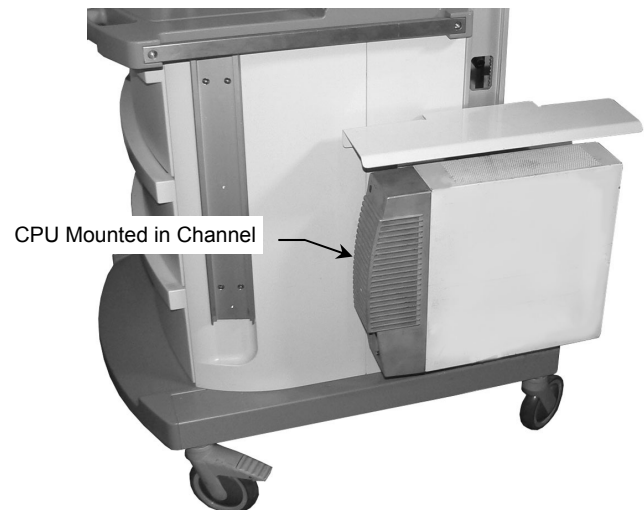
- Phillips screwdriver (not provided)



1. Attach Mounting Pan /Spill Shield to CPU in accordance with installation guide included with the CPU Mounting Kit. Channel Slide must be attached to Mounting Pan in center mounting pattern as shown below left.
2. Install Adjustable Stop 4" below opening in channel as shown below right.



3. Insert Channel Slide (now on rear of CPU) in channel opening and carefully guide CPU to rest against Adjustable Stop.



Attaching Top Plate/Channel to Top of Fabius GS

The following parts and hardware are included in this installation kit (hardware not shown):

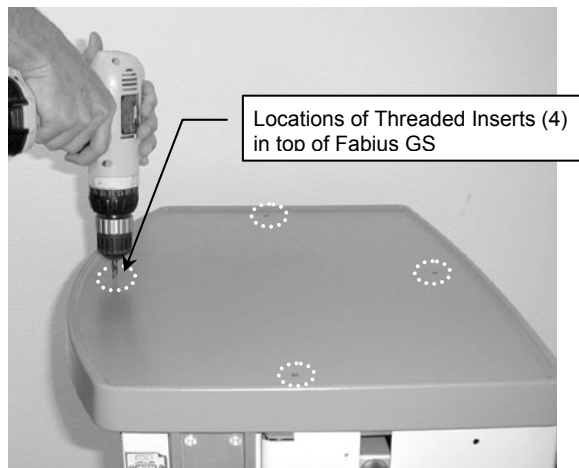
Item #	Description	Qty
1	Top Plate with 21" Channel	1
2	M5 x 30 mm Pan Head Machine Screw (PHMS)	4
3	Label, Tip Hazard	1



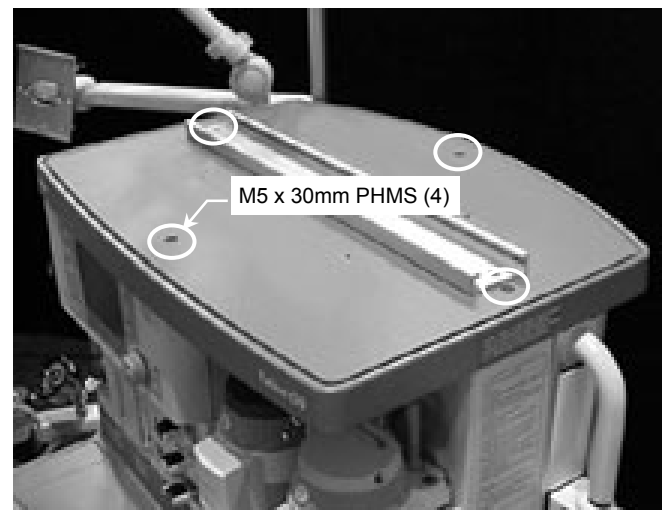
Tools Required

- Drill (not provided)
- 1/4" drill bit (not provided)
- Phillips screwdriver

1. Locate four (4) dimples in top of anesthesia machine. Dimples indicate locations of threaded inserts beneath top surface. If dimples are difficult to locate, use Top Plate/Channel assembly as a template and mark top of machine through four (4) mounting holes.
2. Using a 1/4" drill bit, drill in locations marked in step 1 (drill only where dimples are present). **CAUTION:** Do not allow drill bit to penetrate more than 1/4" into top of machine. Drilling too deeply may damage threaded inserts and internal components of the machine. Remove all drilling chips.



3. Align four (4) mounting holes in Top Plate with corresponding holes in top of machine (drilled in step 2). Fasten Top Plate to machine with four (4) M5 x 30mm Pan Head Machine Screws (PHMS)



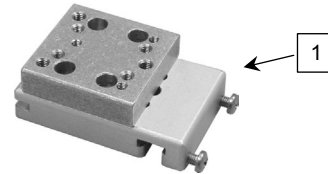
- Attach Tip Caution Label to front center of top shelf bezel as shown below.



Mounting Horizontal Mount in Channel

The following parts and hardware are included in this installation kit (hardware not shown):

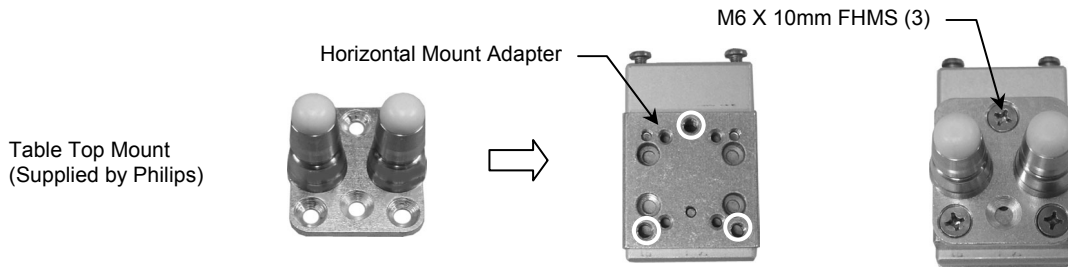
Item #	Description	Qty
1	Horizontal Channel Mount	1
2	M6 x 10mm Flat Head Machine Screw (FHMS)	3



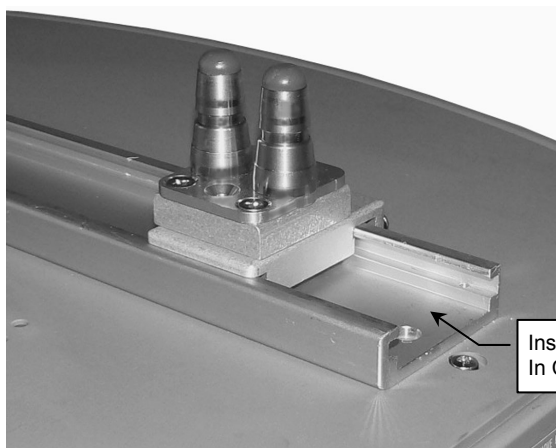
Tools Required

- Phillips screwdriver

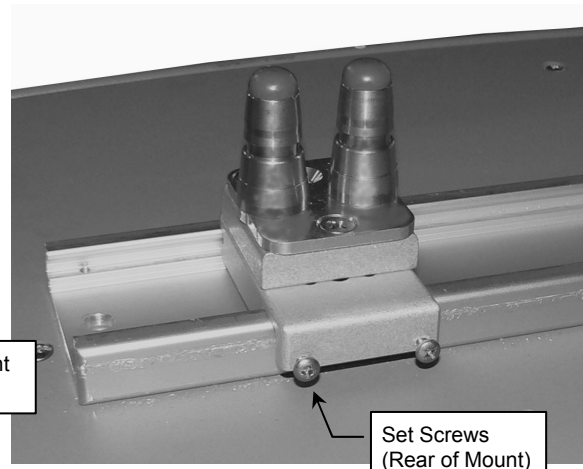
- Fasten the Philips-supplied Table Top Mount to the Mounting Adapter with three (3) M6 x 10mm PHMS as shown below.



- With two (2) set screws oriented toward rear of application, slide Horizontal Mount into Channel and move Mount to desired instrument-mounting position (example below left).
- Tighten two (2) Phillips-head set screws at rear of Horizontal Mount to prevent movement of Mount (below right). See page 5 for photo of Horizontal Channel Mount installed on top of Fabius GS.



Insert Horizontal Mount
In Channel



Set Screws
(Rear of Mount)

Mounting 9" Tilt/Swivel Column in Channel

The following parts and hardware are included in this installation kit (hardware not shown):

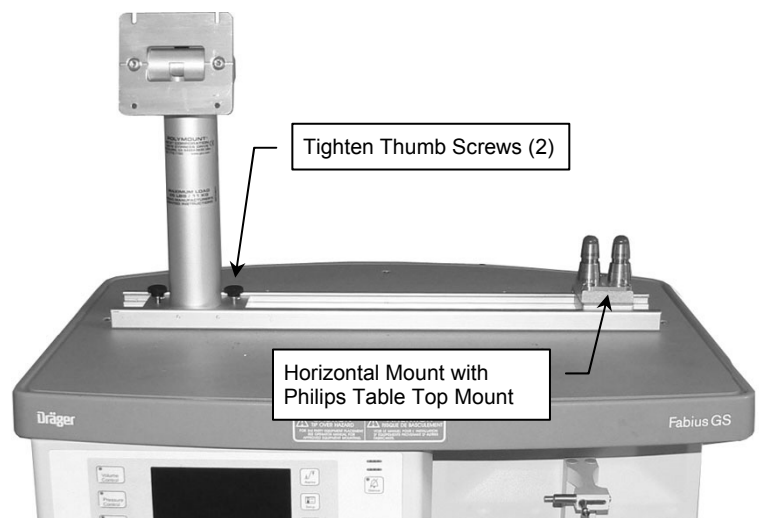
Item #	Description	Qty
1	Tilt/Swivel Column, 9" with VESA Mounting Plate	1
2	5/32" Hex Wrench (for tilt tension adjustment)	1



Tools Required

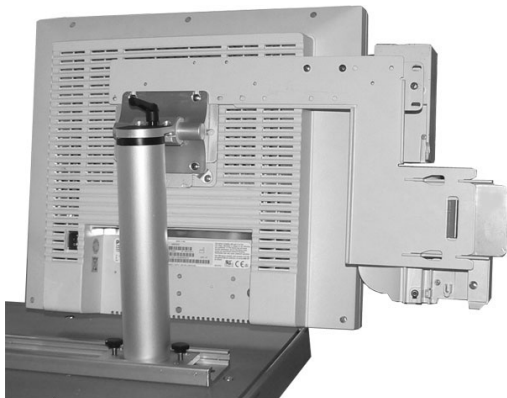
- Phillips screwdriver

1. Slide the Base Plate into the channel and move to desired mounting position as shown below left.
2. Tighten two (2) thumb screws to secure position in channel as shown below right.



Mounting the Display, Remote Speedpoint, External Alert Device, and Power Supply

Mount the display, remote speedpoint, external Alert device, and power supply (if applicable) in accordance with separate installation guide titled *"Philips MP90 Remote Speedpoint Mounting Bracket and Adapter, and External Alert Device Mounting Bracket"* (DU-AG-0019-80). All parts and hardware included in separate installation kit.



Mounting Articulating Arm in Channel

The following parts and hardware are included in this installation kit (hardware not shown):

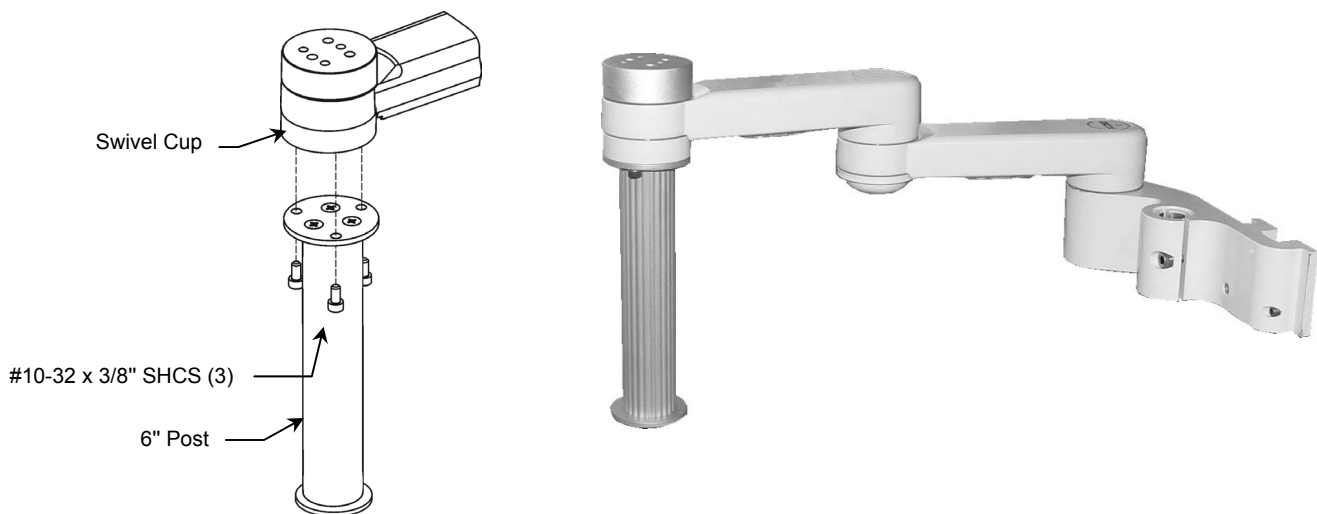
Item #	Description	Qty
1	8" x 8" Articulating M-Series Arm	1
2	Down Post, 6"	1
3	#10-32 x 3/8" Socket Head Cap Screw (SHCS)	3
4	1/8" Hex Wrench	1
5	5/32" Hex Wrench	1



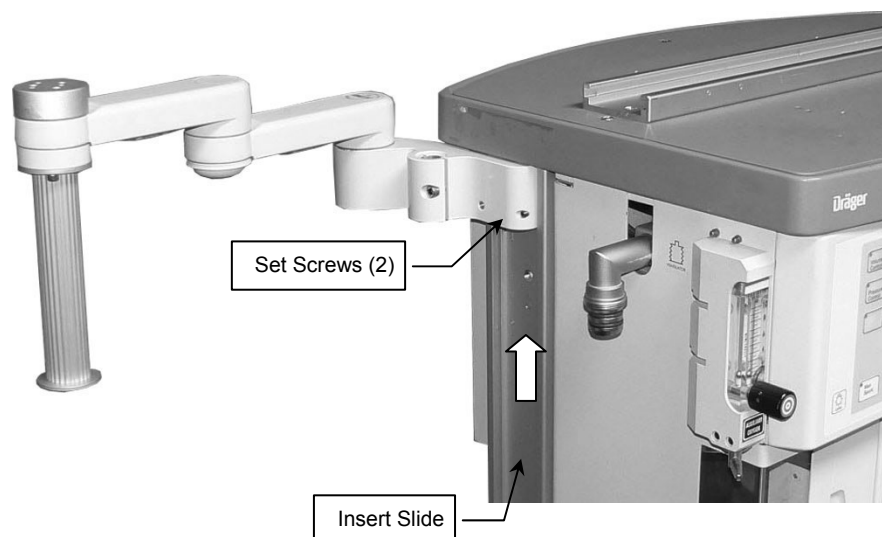
Tools Required

- 5/32" hex wrench (provided)
- 1/8" hex wrench (provided)

1. Using the 5/32" hex wrench provided, fasten Post to Swivel Cup with three (3) #10-32 x 3/8" SHCS as shown below.



2. Insert Slide (rear of Arm) in opening in lower channel and move Arm to top of channel as shown below. Using the 1/8" hex wrench provided, tighten two (2) socket set screws to secure position in channel.



Mounting FMS on Down Post

Follow Philips instructions for mounting FMS on Down Post. A Philips-supplied clamp is required for this installation.

Installation Note: The clamp on the rear of the FMS may be rotated 90° to allow vertical mounting of the FMS as shown below right.

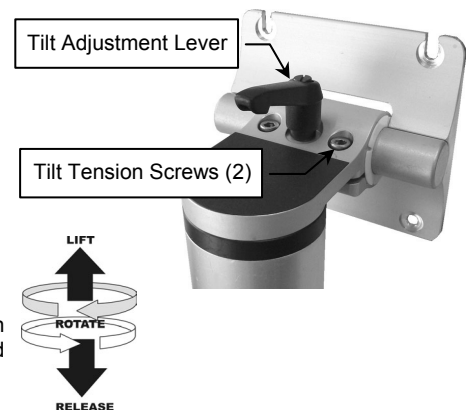


Adjusting Tilt and Swivel Tension

Tilt Tension: Adjust overall tilting tension by evenly tightening or loosening two (2) tilt tension screws with the 5/32" hex wrench provided. Once overall tilt tension is set, use Tilt Adjustment Lever to fine tune/lock tilt position.

Tilt Adjustment: Turn Tilt Adjustment Lever counterclockwise (CCW) to loosen. Lever provides ratchet-style adjustment (see **Note** below). Grasp the display and tilt to desired angle. Turn Tilt Adjustment Lever clockwise (CW) to tighten and lock position.

Note: The Tilt Adjustment Lever is a multi-position clamping lever that operates by lifting, rotating, and releasing the handle.



Periodic Maintenance

All fasteners associated with the mounting system should be inspected periodically and tightened or adjusted as necessary for optimal operation and safety.

Cleaning the Mounting Assembly

CAUTION: GCX makes no claims regarding the efficacy of the listed chemicals or processes as a means for controlling infection. Consult your hospital's infection control officer or epidemiologist. To clean or sterilize mounted devices or accessory equipment, refer to the specific instructions delivered with those products.

1. The mounting assembly may be cleaned with most mild, non-abrasive solutions commonly used in the hospital environment (e.g. diluted bleach, ammonia, or alcohol solutions).
2. The surface finish will be permanently damaged by strong chemicals and solvents such as acetone or trichloroethylene.
3. Steel wool or other abrasive material should never be used.
4. Damage caused by the use of unapproved substances or processes will not be warranted. We recommend testing of any cleaning solution on a small area of the arm that is not visible to verify compatibility.
5. Never submerge or allow liquids to enter the arm. Wipe any cleaning agents off the arm immediately using a water-dampened cloth. Dry mounting assembly thoroughly after cleaning.