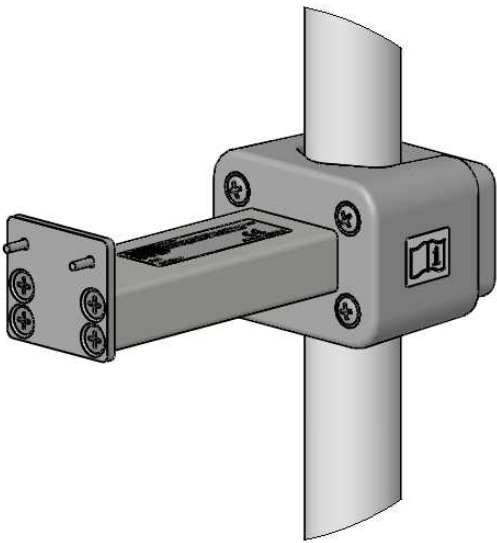
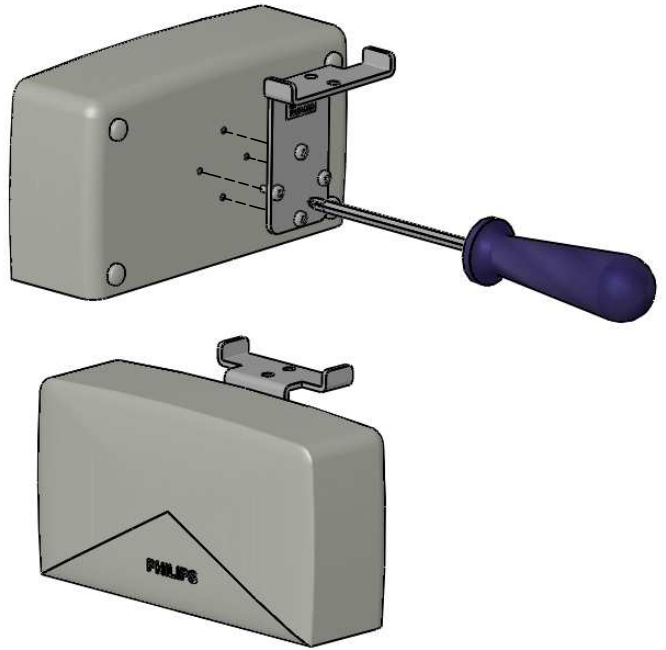


Installation notes for TS.6285.XXX  
(compatible with Philips-monitor MP2/X2)

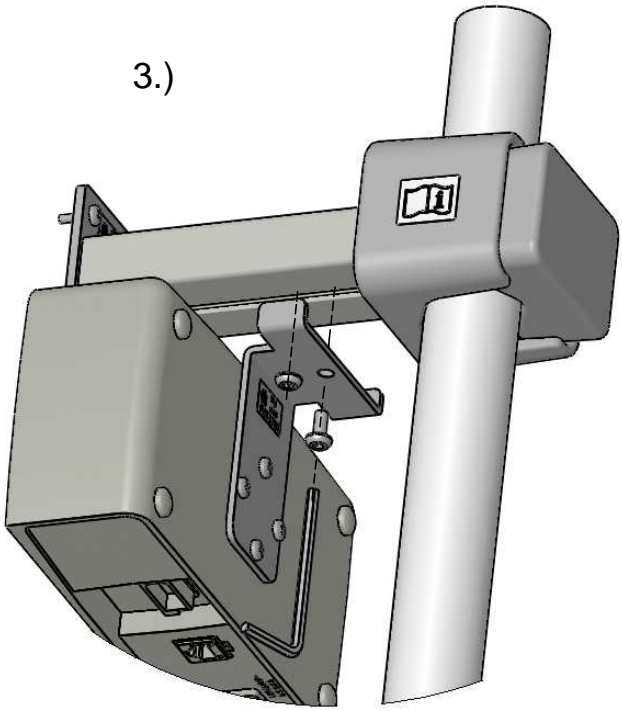
1.)



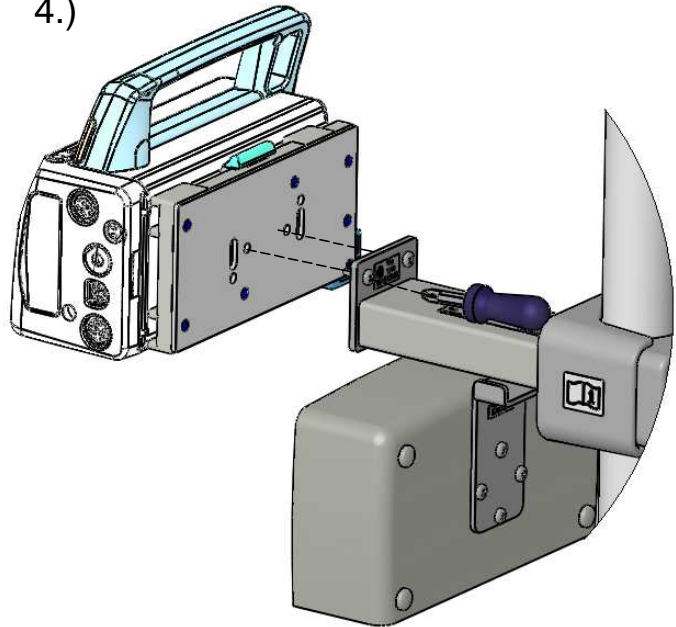
2.)



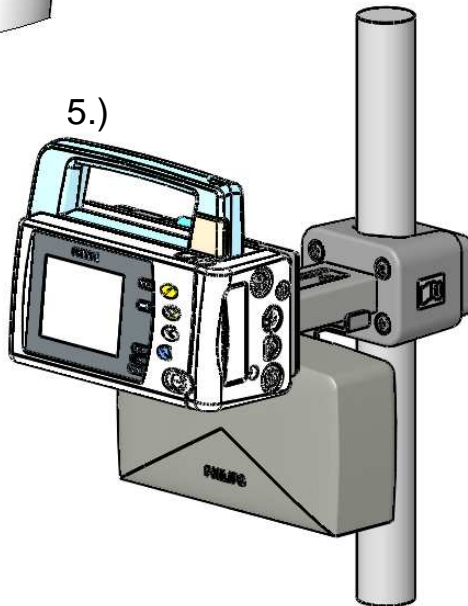
3.)



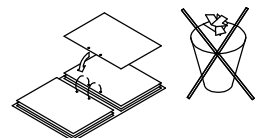
4.)



5.)



ITD GmbH  
Sportplatzstraße 3 84381 Johanniskirchen · Germany  
Tel. +49-89-61 44 25-0 · Fax +49-89-61 44 25-20  
sales@itd-cart.com · www.itd-cart.com



MA.0435.799  
001/ 21.04.2011