

Installation Guide

Philips MP20/30/40/50/60/70 IntelliVue M-Series Arm Rail Mount Kit

The purpose of this guide is to:

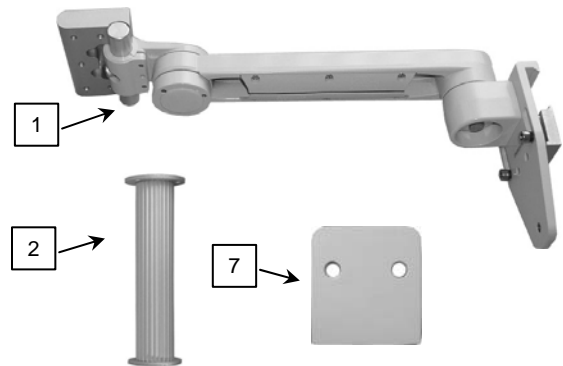
1. Describe attachment of Table Top Mount to Mounting Adapter on Arm (page 2).
2. Describe attachment of Down Post to M-Series Arm (page 2).
3. Describe mounting of Arm on rail (pages 3 – 6).
4. Describe mounting of Flexible Module Server (FMS) on Down Post (page 7).
5. Describe operation and adjustment of M-Series Arm (pages 7 – 8)

Parts Reference

The following parts and hardware are included in this installation kit (hardware not shown):

| Item # | Description | Qty |
|--------|---|-----|
| 1 | M-Series Arm (see pg. 3 for Rail Clamp Parts) | 1 |
| 2 | 6" Down Post | 1 |
| 3 | #10-32 x 3/8" SHCS | 3 |
| 4 | M6 x 8mm Flat Head Machine Screw (FHMS) | 2 |
| 5 | M6 x 12mm FHMS | 1 |
| 6 | 5/32" [4mm] Hex Wrench | 1 |
| *7 | Spacer, MP20/30 | 1 |
| *8 | M6 x 16mm Pan Head Machine Screw (PHMS) | 2 |

*See "MP20/30 non-Table Top Mount" on page 6 for use of these parts.



Tools Required: Phillips screwdriver, 5/32" [4mm] and 3/16" hex wrenches (provided).

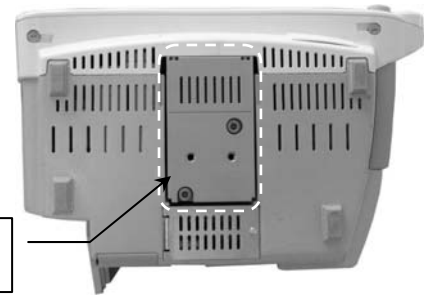


Caution - Before mounting the Arm:

1. Ensure that the weight of the device being mounted does not exceed the load rating of your M-Series Arm. Check the "Max Load" rating label located on top of the arm at the Slide pivot point. It is not recommended that this arm be used for weights outside of this range.
2. If assistance is needed regarding an application, please contact a GCX product specialist at (800) 228-2555.

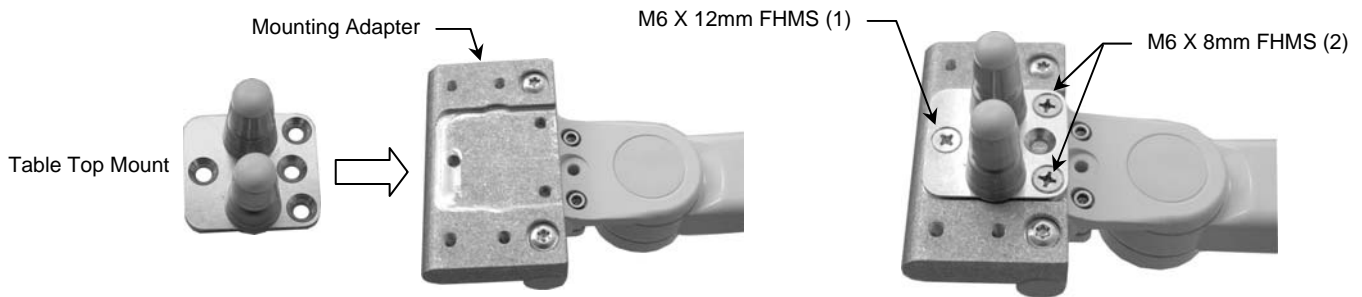
Attaching the Philips Table Top Mount to the Mounting Adapter

Installation Note: Do not attach the Table Top Mount to the Arm/Mounting Adapter if you will be mounting an MP20/30 monitor equipped with the mounting interface shown in photo (right). See "Mounting the Monitor on the Arm" (page 6) for instructions specific to this type of mounting plate.



Do Not Attach Table Top Mount if MP20/30 Monitor is Equipped with This Mounting Interface

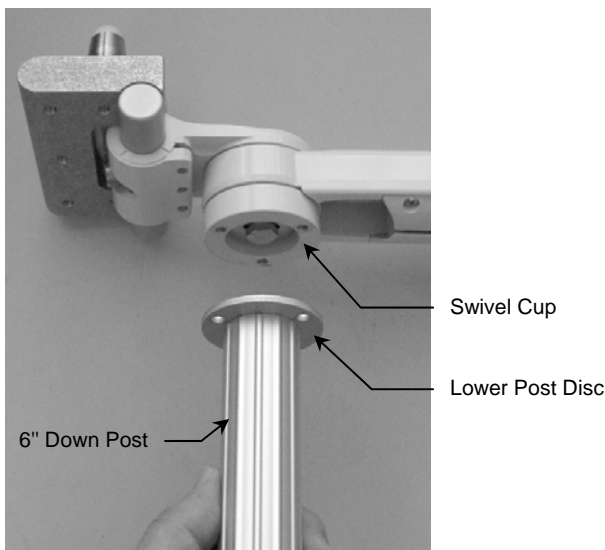
1. Fasten the Philips-supplied Table Top Mount to the Mounting Adapter on the M-Series Arm with one (1) M6 x 12mm FHMS and two (2) M6 x 8mm FHMS (see below).



*Attaching the Down Post to the Arm

*The Down Post is used for mounting the Flexible Module Server (FMS). Skip this procedure if your IntelliVue monitoring system does not require a Down Post for FMS.

1. Align the three (3) mounting holes in the Lower Post Disc with the three (3) threaded holes in the Swivel Cup.
2. Using the 5/32" hex wrench, attach the Post to the Swivel Cup with three (3) #10-32 x 3/8" SHCS.



Mounting the M-Series Arm on a Rail

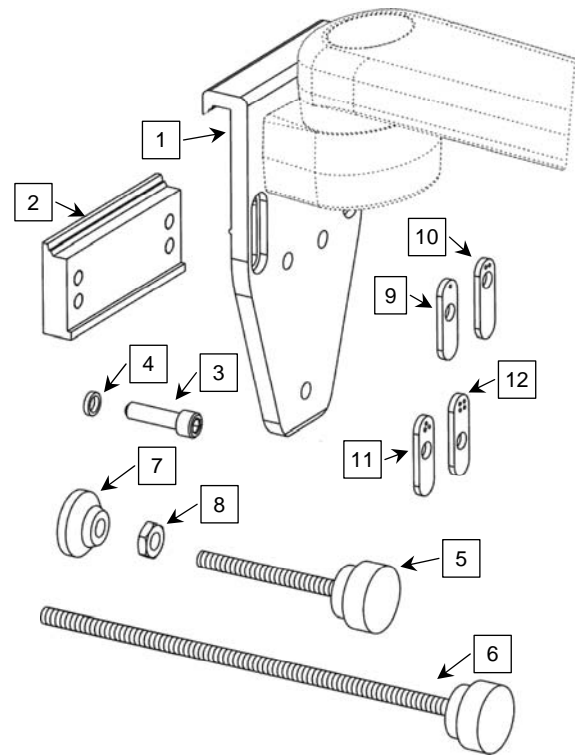


WARNING: The customer must verify the stability of the rail on which the GCX Euro Clamp will be mounted. The rail must be load-rated to carry the weight of the mounting system and all mounted instruments and accessories. The maximum load rating of the Rail Clamp is 33 lbs [14.97 kg].

Installation Note: The GCX Euro Rail Clamp is part of an instrument mounting system. This installation guide covers mounting of the Rail Clamp only. Your actual mounting system may differ from the M-Series Arm shown here.

The parts list below includes the parts and hardware that will be used in this installation procedure.

| Item # | Description | Qty |
|--------|--|-----|
| 1 | Rail Clamp (shown on M-Series Arm) | 1 |
| 2 | Lower Clamp Bar | 1 |
| 3 | M6 x 25 mm Socket Head Cap Screw (SHCS) | 2 |
| 4 | Lock Washer, 1/4" Hi-collar | 2 |
| 5 | 2.65" Threaded Stud with Knob | 1 |
| 6 | 7.5" Threaded Stud with Knob | 1 |
| 7 | Leveling Foot | 1 |
| 8 | M8 Hex Jam Nut | 1 |
| 9 | Location Washer, 10 mm x 25 mm (rail size) | 2 |
| 10 | Location Washer, 10 mm x 30 mm (rail size) | 2 |
| 11 | Location Washer, 10 mm x 35 mm (rail size) | 2 |
| 12 | Location Washer, 10 mm x 40 mm (rail size) | 2 |
| 13 | 3/16" Hex Wrench (not shown) | 1 |



Tools Required

- 3/16" hex wrench (provided)
- 1/2" [13 mm] wrench (not provided)
- Torque wrench (not provided)

Mounting Rail Clamp on Rail

In this procedure the Rail Clamp is being mounted on a 10 mm x 25 mm rail.



WARNING! Ensure that the Location Washers selected match the rail size before installing the Rail Clamp. The Location Washers must be installed with dot pattern upward. The use of incorrect Location Washers or incorrect orientation of Location Washers could result in product failure or injury.

1. Determine size of rail and select appropriate set of Location Washers. Number of dots indicates size of rail. Location Washers must be installed with dots in upward ↑ position.

10 x 25 mm Rail
(1 dot)



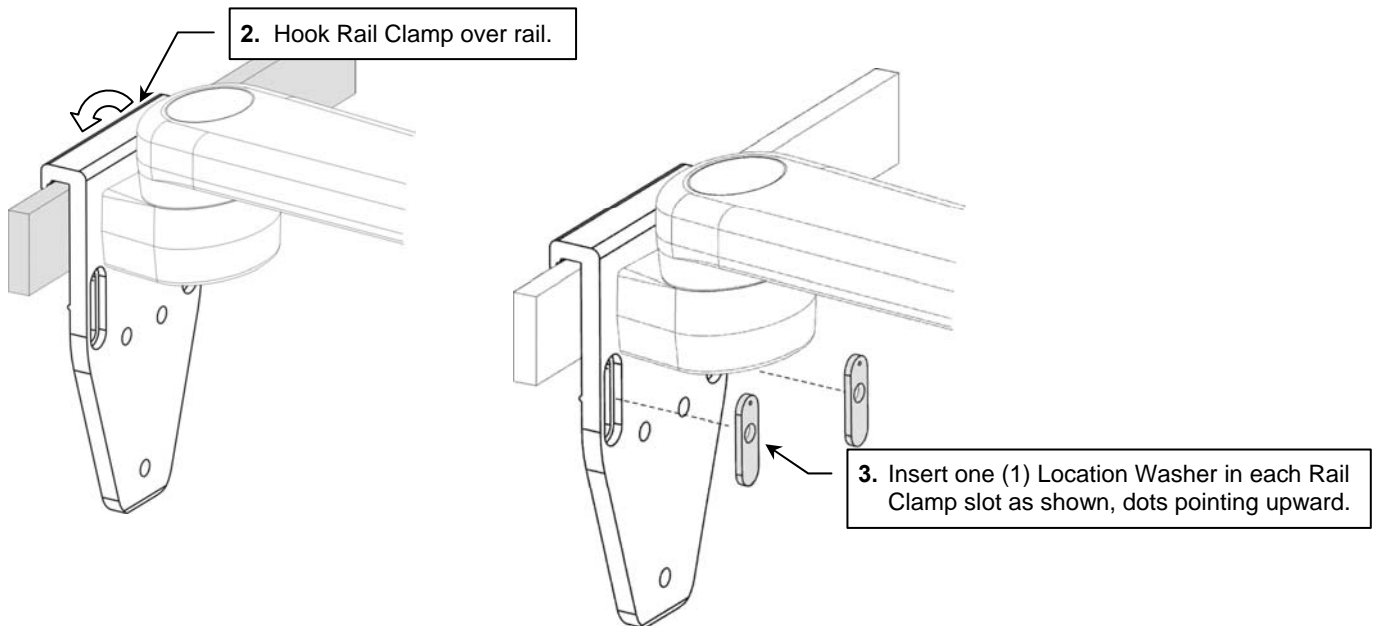
10 x 30 mm Rail
(2 dots)

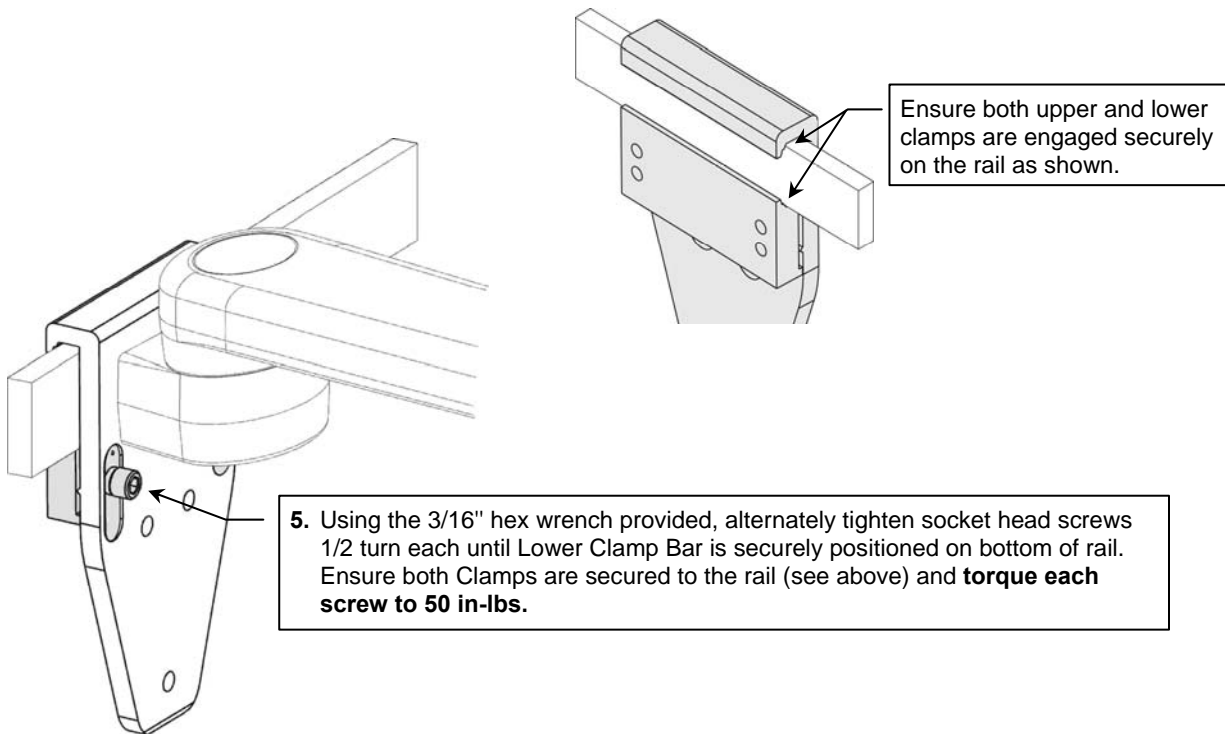
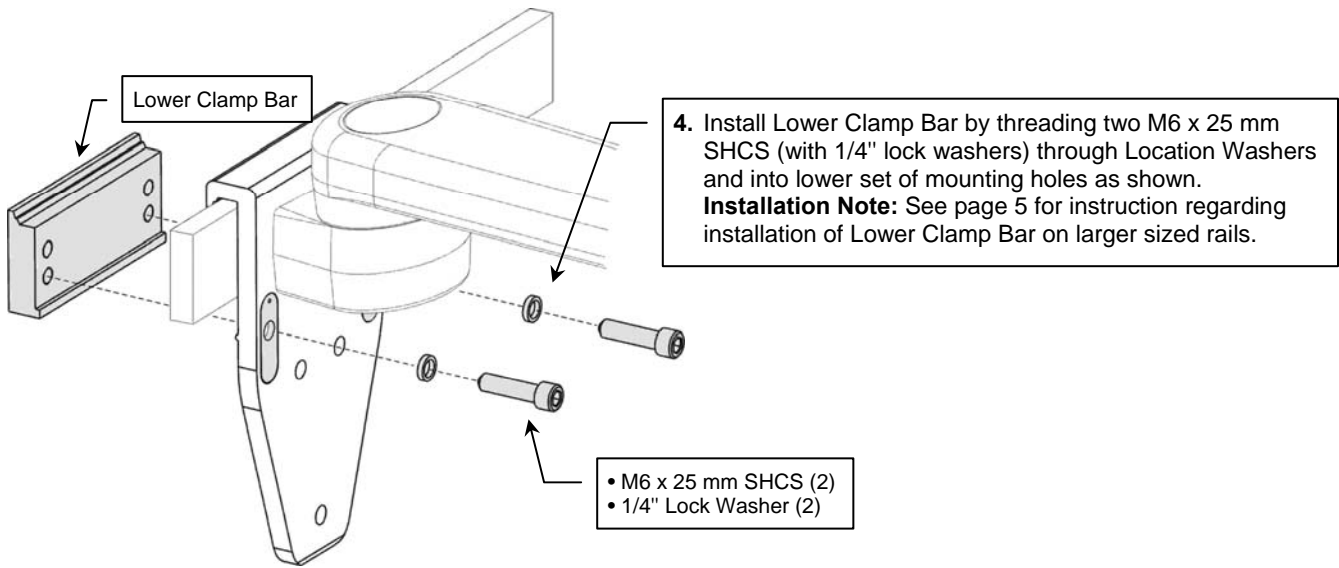


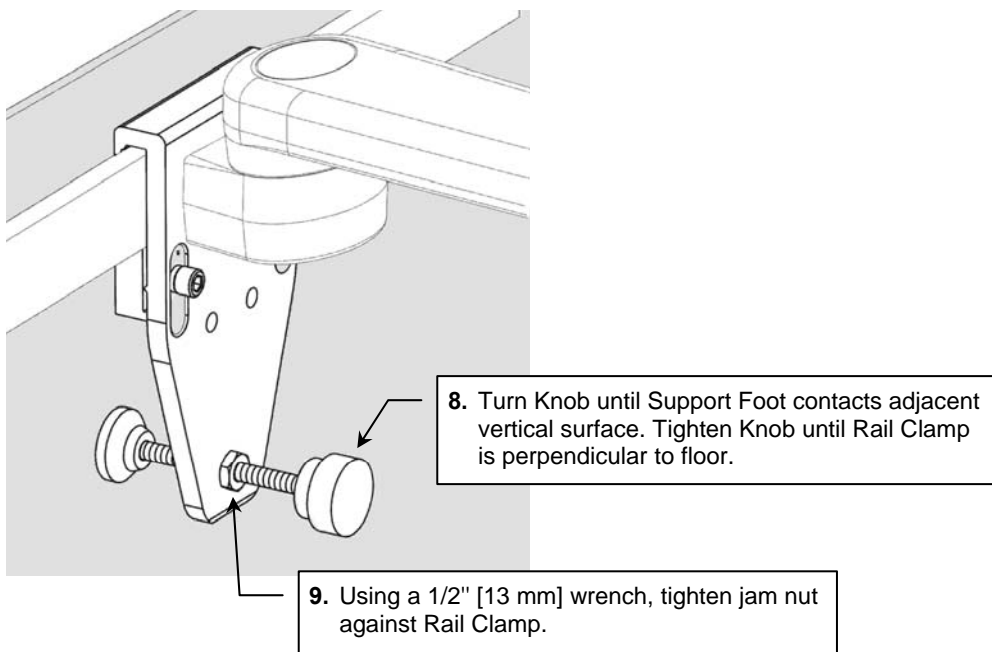
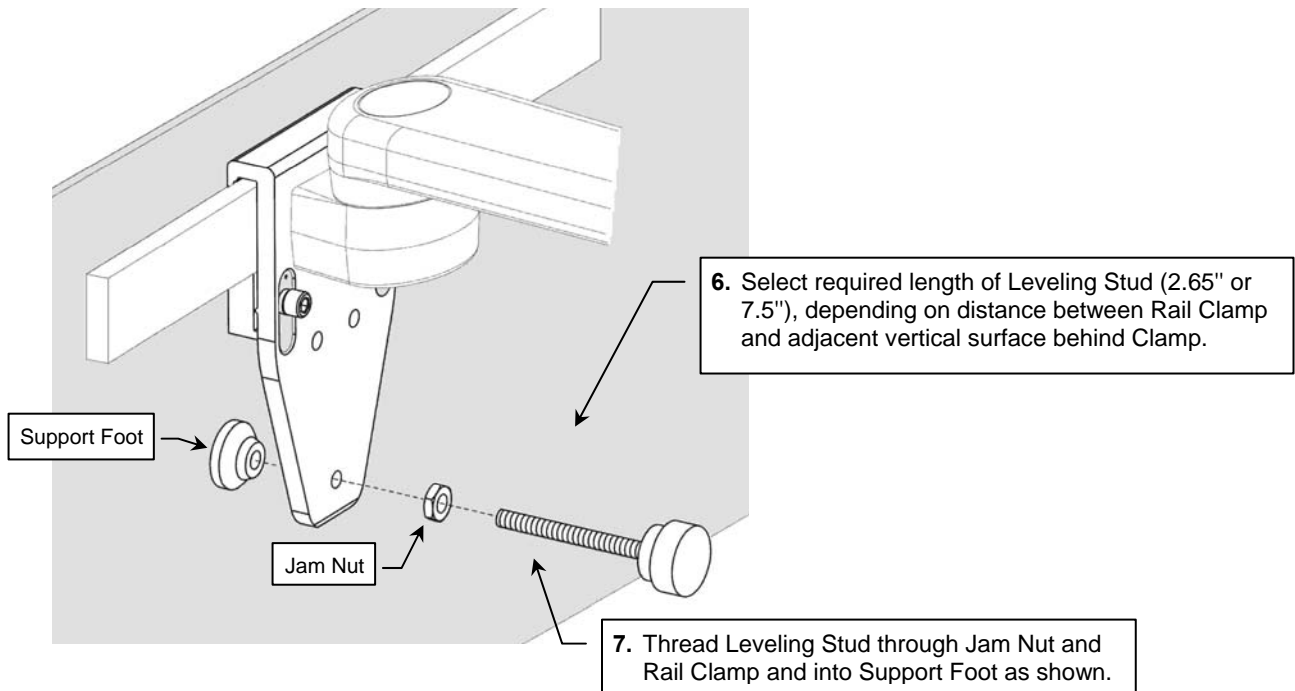
10 x 35 mm Rail
(3 dots)



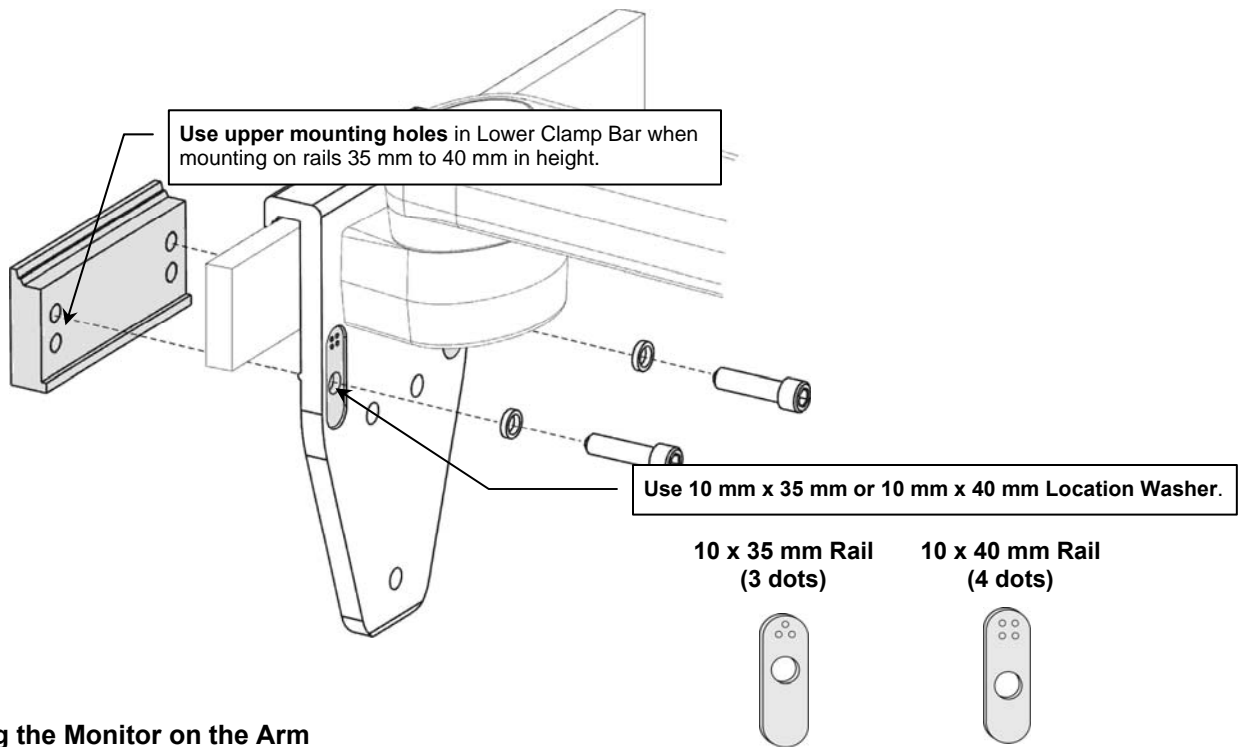
10 x 40 mm Rail
(4 dots)







Mounting on 35mm to 40mm Rail Heights



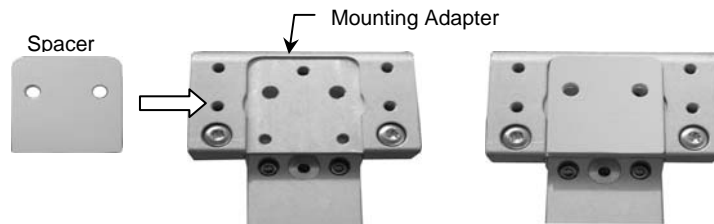
Mounting the Monitor on the Arm

Table Top Mount

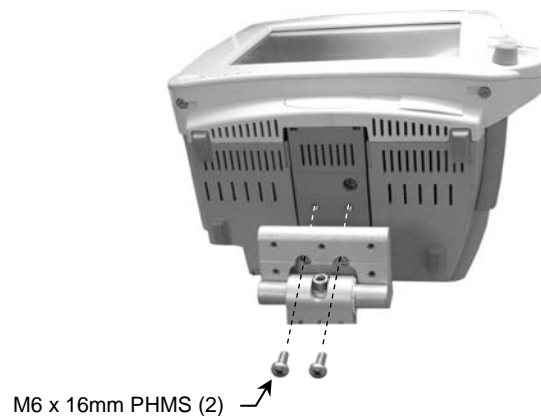
Mount the monitor in accordance with the Philips Table Top Mount instruction sheet.

MP20/30 non-Table Top Mount

1. Fit Spacer into recessed area on top of Mounting Adapter (below). Ensure Spacer remains between Mounting Adapter and monitor.



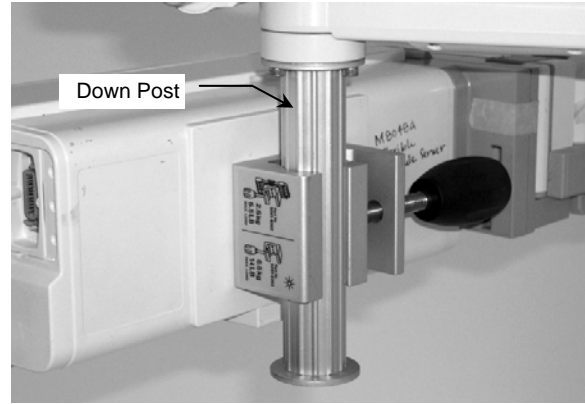
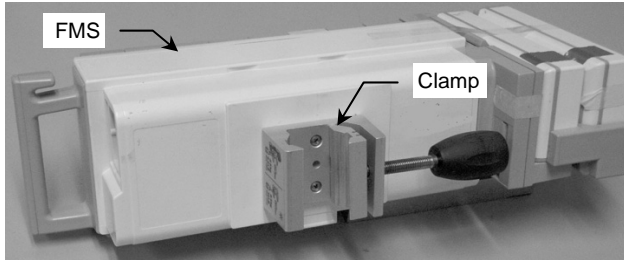
2. Insert two (2) M6 x 16mm PHMS through bottom of Mounting Adapter and thread into mounting holes in bottom of monitor (right).



Mounting the Flexible Module Server (FMS) on the Down Post

Installation Note: This procedure is not required if Down Post has not been installed.

1. Attach the FMS to the Down Post by placing the Clamp around the Post and tightening the knob.

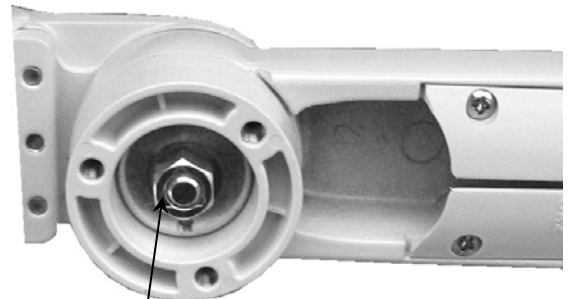


M-Series Arm Operation and Adjustment

Swivel & Swivel Tension

1. In most configurations, the mounted device will swivel at the end of the Arm. To rotate the device simply push or pull the corners of the device.
2. To adjust the swivel tension, tighten or loosen the Swivel Tension Nut with a 1/2 [13 mm] socket wrench.

Warning: Swivel tension nut must be torqued to a minimum of 20 in-lbs [2.3 N-m].

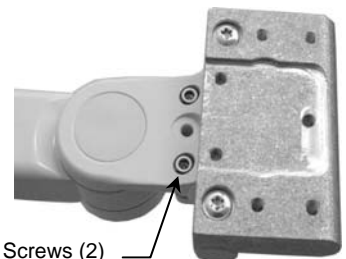


Swivel Tension Nut

Tilt & Tilt Tension

1. Loosen the Adjustment Lever (if included).
2. Grasp top and bottom of device and tilt it to desired angle.
3. Tighten the Adjustment Lever (if included).
4. Using a 5/32" hex wrench, equally tighten or loosen the two (2) Tilt Tension Screws.

Warning: Tilt tension screws must be torqued to a minimum of 35 in-lbs [4.0 N-m].

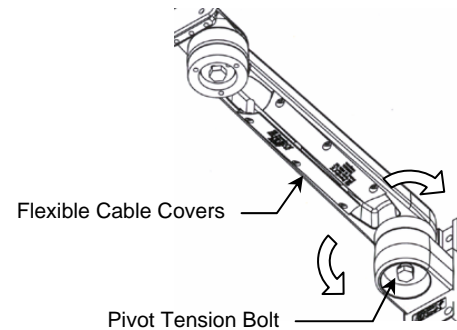


Tilt Tension Adjustment Screws (2)

Positioning Arm in Channel

Pivoting the Arm

1. To pivot the Arm at the Slide, simply push on the side of the Arm or mounted instrument.
2. To adjust pivot tension, loosen or tighten the Pivot Tension Bolt using a 1/2" [13 mm] socket driver.



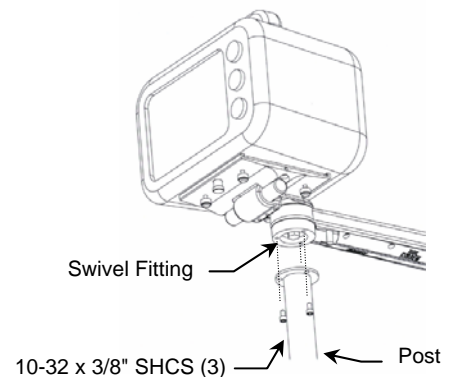
Cable Management

An open cavity beneath the arm (with flexible cable covers) allows management of cables between the front and rear of the arm.

Attachment of Down Post

Some applications may require a Down Post to mount module racks or other devices. Attach Down Post as follows:

1. Align the screw holes in the Post with corresponding threaded holes in the Swivel Fitting.
2. Using the 5/32" [4 mm] hex wrench provided, fasten Down Post to Swivel Fitting with three (3) #10-32 x 3/8" SHCS.



Routine Maintenance

Periodically inspect all hardware associated with the mounting system. Tighten as required for optimal operation and safety.

Cleaning the Mounting Assembly

1. The mounting assembly may be cleaned with most mild, non-abrasive solutions commonly used in the hospital environment (e.g. diluted bleach, ammonia, or alcohol solutions).
2. The surface finish will be permanently damaged by strong chemicals and solvents such as acetone or trichloroethylene.
3. Do not use Steel wool or other abrasive material.
4. Damage caused by the use of unapproved substances or processes will not be warranted. We recommend testing of any cleaning solution on a small area of the arm that is not visible to verify compatibility.
5. Never submerge or allow liquids to enter the arm. Wipe any cleaning agents off of the arm immediately using a water-dampened cloth. Dry the arm thoroughly after cleaning.

CAUTION: GCX makes no claims regarding the efficacy of the listed chemicals or processes as a means for controlling infection. Consult your hospital's infection control officer or epidemiologist. To clean or sterilize mounted devices or accessory equipment, refer to the specific instructions delivered with those products.