

Installation Guide

Philips MP60/70 IntelliVue VHM Arm Rail Mount Kit

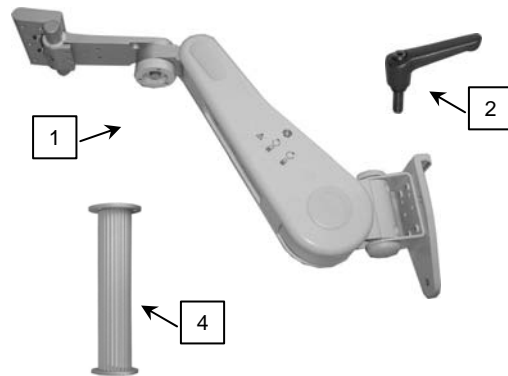
The purpose of this guide is to:

1. Describe attachment of Table Top Mount to Mounting Adapter (page 2)
2. Describe attachment of Down Post to VHM Arm (page 2).
3. Describe mounting of VHM Arm on rail (pages 3 – 6).
4. Describe mounting of Flexible Module Server (FMS) on Down Post (page 6)
5. Describe tilt tension adjustment procedure (page 7).

Parts Reference

The following parts and hardware are included in this installation kit (hardware not shown):

| Item # | Description | Qty |
|--------|---|-----|
| 1 | VHM Arm (see page X for Rail Clamp Parts) | 1 |
| 2 | Locking Lever, Height Adjustment | 1 |
| 3 | Cable Clip | 2 |
| 4 | 6" Down Post | 1 |
| 5 | #10-32 x 3/8" SHCS | 3 |
| 6 | M6 x 8mm FHMS | 2 |
| 7 | M6 x 12mm FHMS | 1 |
| 8 | 5/32" [4mm] Hex Wrench | 1 |



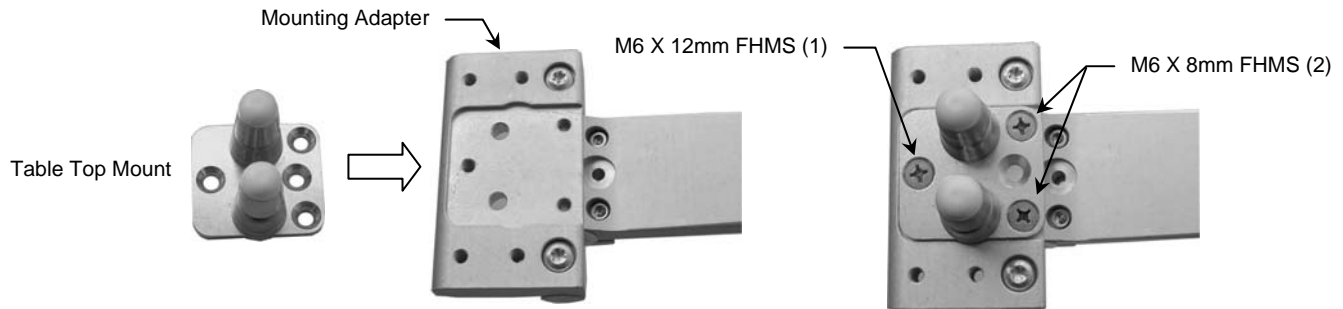
Tools Required: Phillips screwdriver, 5/32" [4mm] hex wrench (provided).

► IMPORTANT – Read This Before Installing the VHM Rail Mount Kit:

1. Follow procedures and references as presented in this installation guide.
2. Refer to *Installation & Operation Manual for VHM™ Series Arms (DU-WS-0001)* for all operation and adjustment procedures not specifically addressed in this installation guide.

Attaching the Philips Table Top Mount to the Mounting Adapter

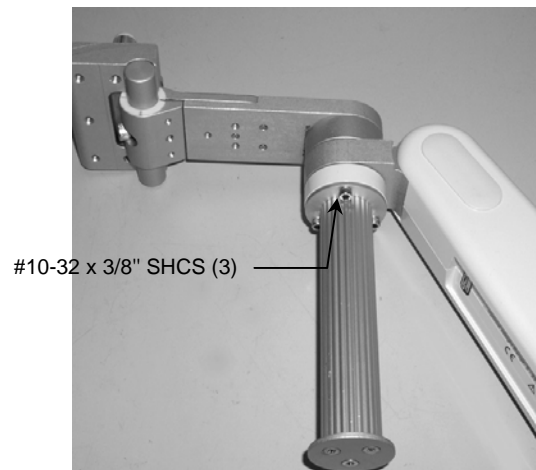
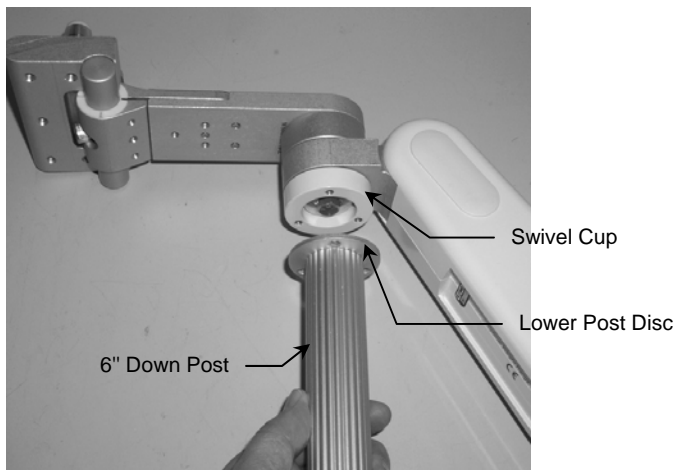
1. Fasten the Philips-supplied Table Top Mount to the Mounting Adapter on the VHM Arm with one (1) M6 x 12mm FHMS and two (2) M6 x 8mm FHMS (see below).



*Attaching the Down Post to the Arm

**The Down Post is used for mounting the Flexible Module Server (FMS). Skip this procedure if your IntelliVue monitoring system does not require a Down Post or FMS.*

1. Align three (3) mounting holes in Lower Post Disc with three (3) threaded holes in Swivel Cup (below left). Using the 5/32" hex wrench, fasten Post to Swivel Cup with three (3) #10-32 x 3/8" SHCS.



Mounting VHM Arm on a Rail

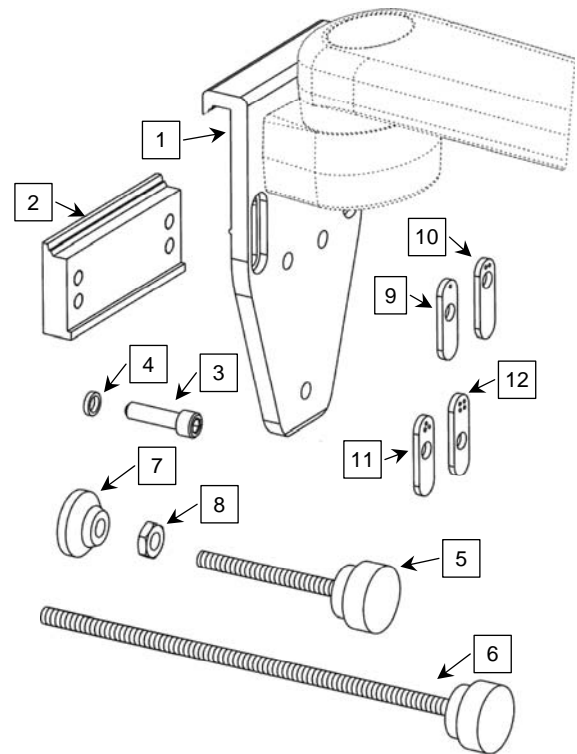


WARNING: The customer must verify the stability of the rail on which the GCX Euro Clamp will be mounted. The rail must be load-rated to carry the weight of the mounting system and all mounted instruments and accessories. The maximum load rating of the Rail Clamp is 33 lbs [14.97 kg].

Installation Note: The GCX Euro Rail Clamp is part of an instrument mounting system. This section covers mounting of the Rail Clamp only. Your actual mounting system may differ from the M-Series Arm shown here.

The parts list below includes the parts and hardware that will be used in this installation procedure.

| Item # | Description | Qty |
|--------|--|-----|
| 1 | Rail Clamp (shown on M-Series Arm) | 1 |
| 2 | Lower Clamp Bar | 1 |
| 3 | M6 x 25 mm Socket Head Cap Screw (SHCS) | 2 |
| 4 | Lock Washer, 1/4" Hi-collar | 2 |
| 5 | 2.65" Threaded Stud with Knob | 1 |
| 6 | 7.5" Threaded Stud with Knob | 1 |
| 7 | Leveling Foot | 1 |
| 8 | M8 Hex Jam Nut | 1 |
| 9 | Location Washer, 10 mm x 25 mm (rail size) | 2 |
| 10 | Location Washer, 10 mm x 30 mm (rail size) | 2 |
| 11 | Location Washer, 10 mm x 35 mm (rail size) | 2 |
| 12 | Location Washer, 10 mm x 40 mm (rail size) | 2 |
| 13 | 3/16" Hex Wrench (not shown) | 1 |



Tools Required

- 3/16" hex wrench (provided)
- 1/2" [13 mm] wrench (not provided)
- Torque wrench (not provided)

Mounting Rail Clamp on Rail

In this procedure the Rail Clamp is being mounted on a 10 mm x 25 mm rail.



WARNING! Ensure that the Location Washers selected match the rail size before installing the Rail Clamp. The Location Washers must be installed with dot pattern upward. The use of incorrect Location Washers or incorrect orientation of Location Washers could result in product failure or injury.

1. Determine size of rail and select appropriate set of Location Washers. Number of dots indicates size of rail. Location Washers must be installed with dots in upward ↑ position.

10 x 25 mm Rail
(1 dot)



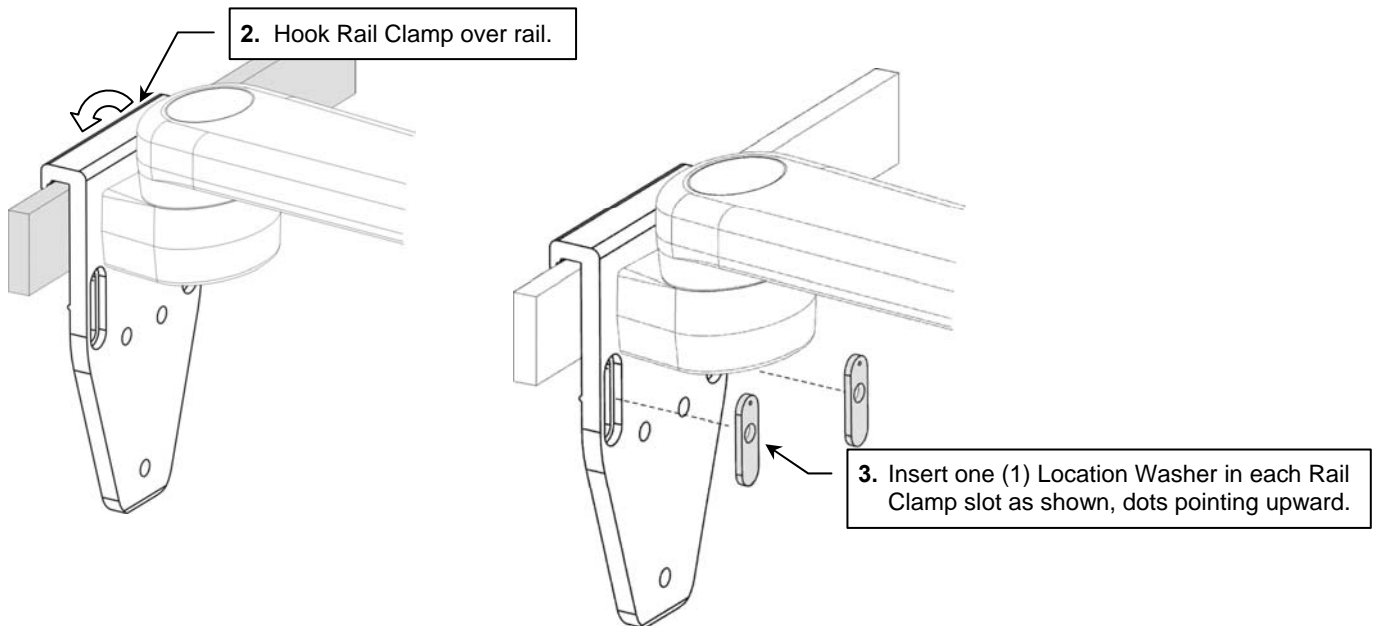
10 x 30 mm Rail
(2 dots)

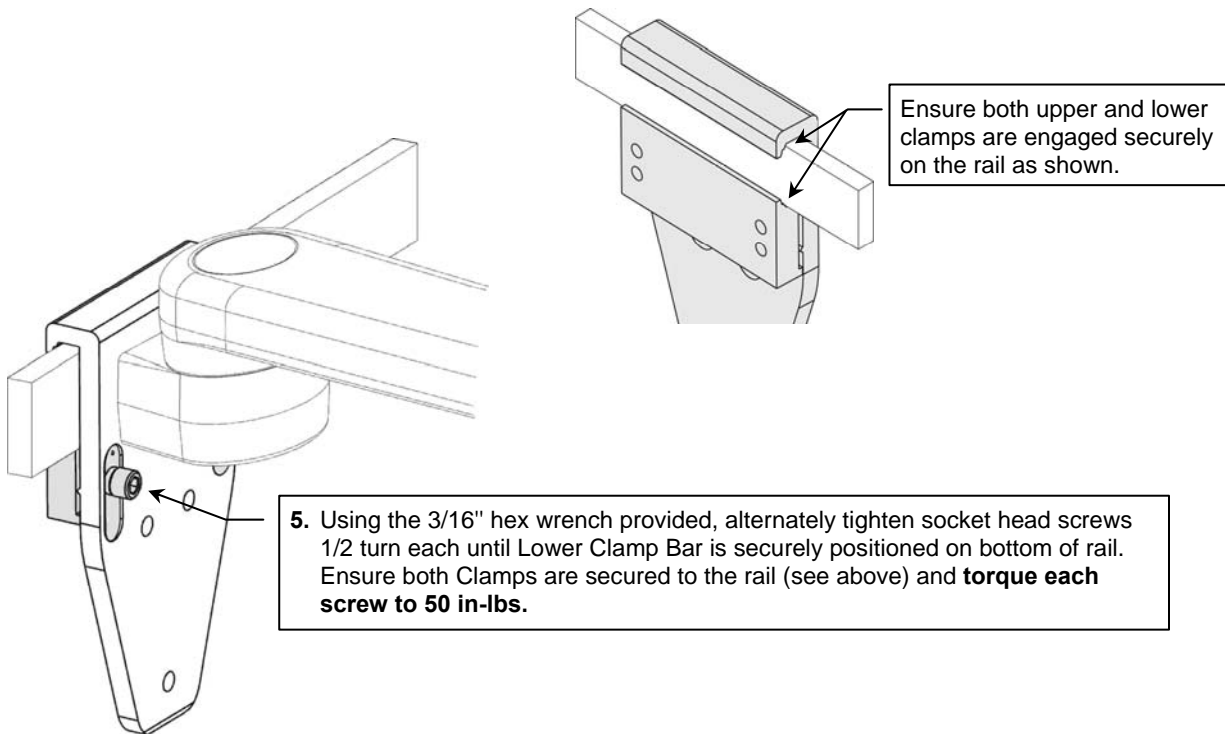
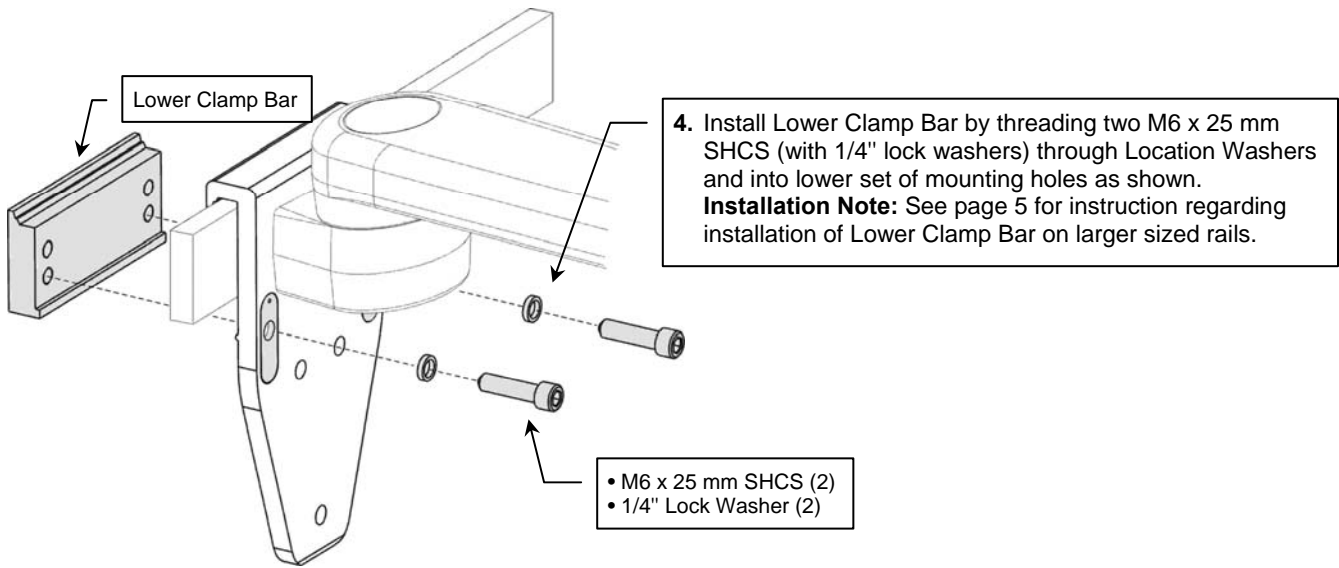


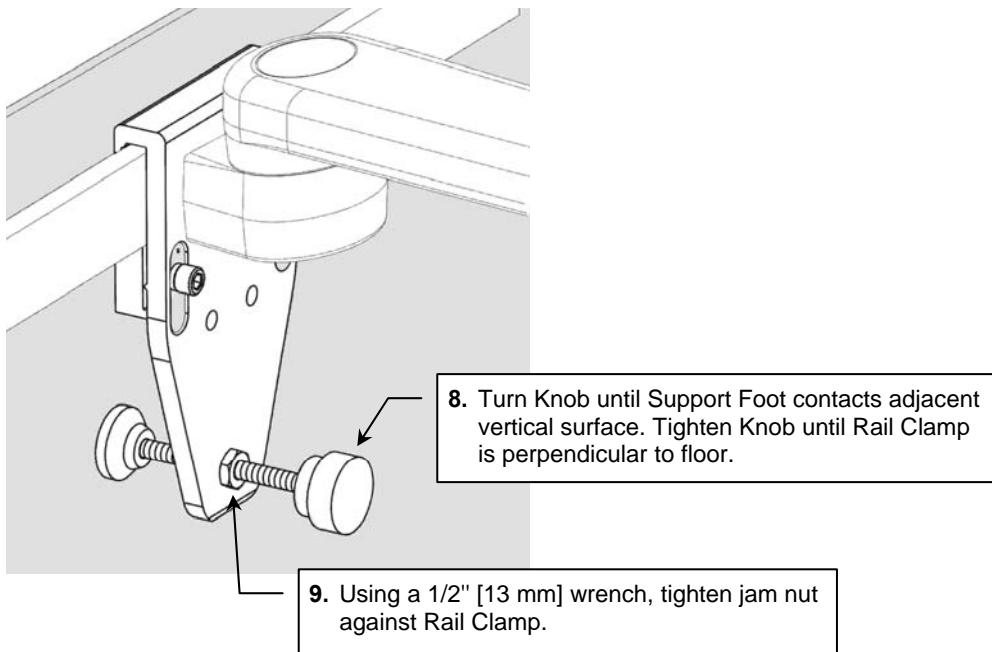
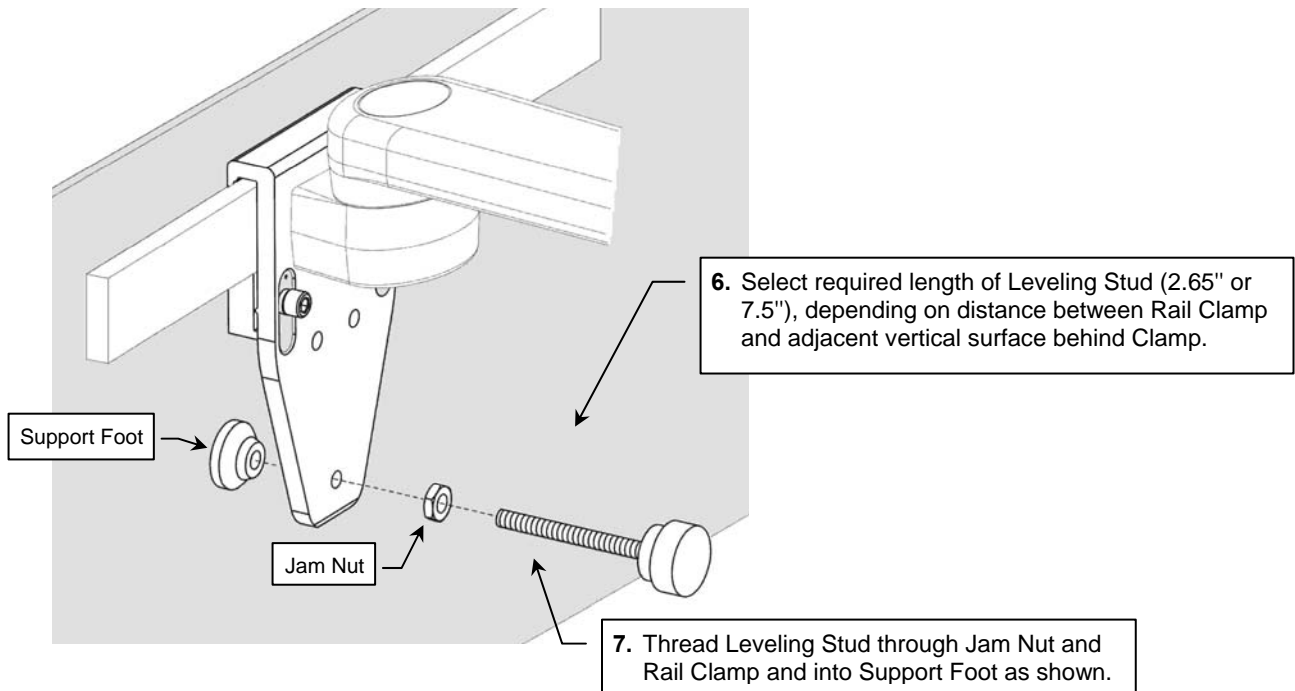
10 x 35 mm Rail
(3 dots)



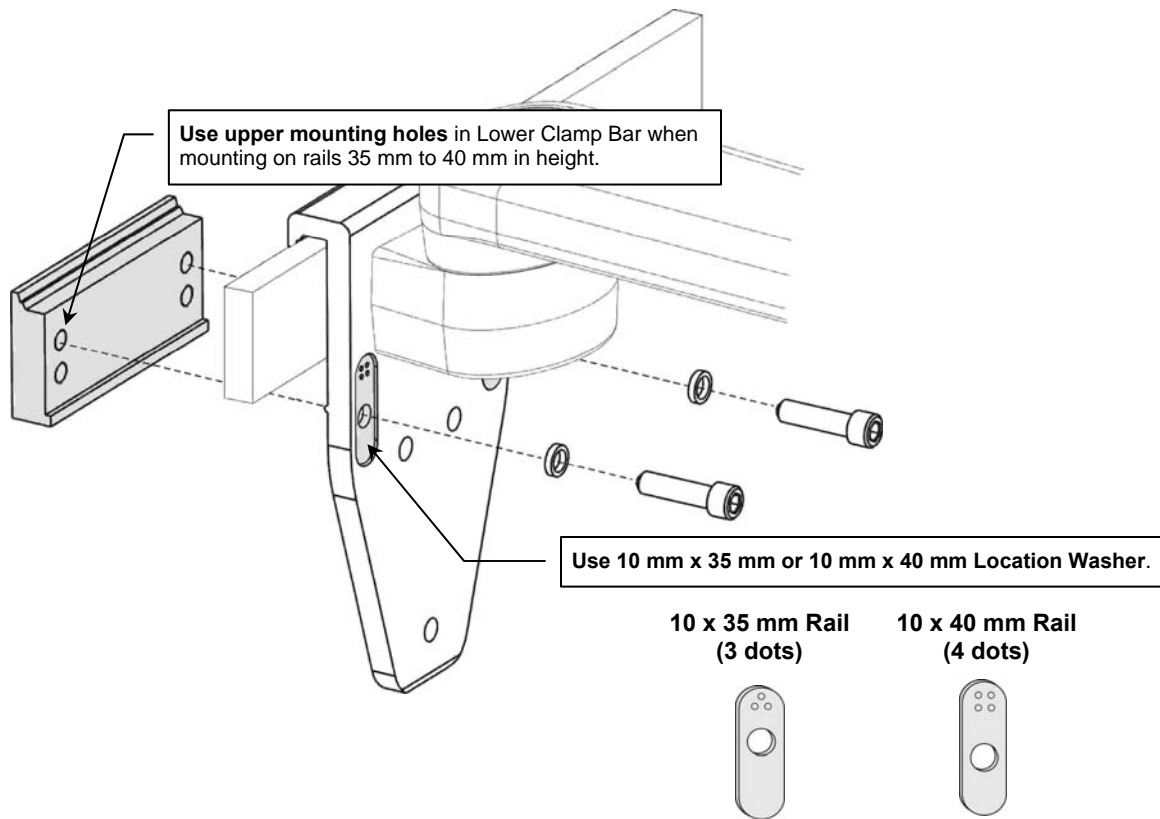
10 x 40 mm Rail
(4 dots)







Mounting on 35mm to 40mm Rail Heights

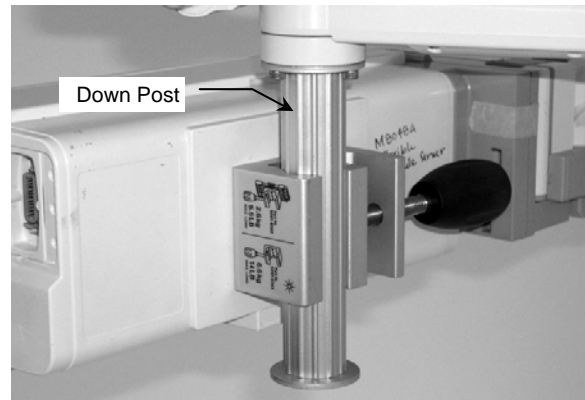
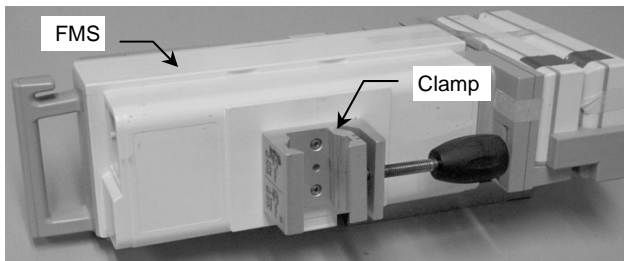


Mounting the Monitor

Mount the monitor in accordance with Philips Table Top Mount instructions.

Mount Flexible Module Server (FMS) on Down Post

1. Attach the FMS to the Down Post by placing the Clamp around the Post and tightening the knob.



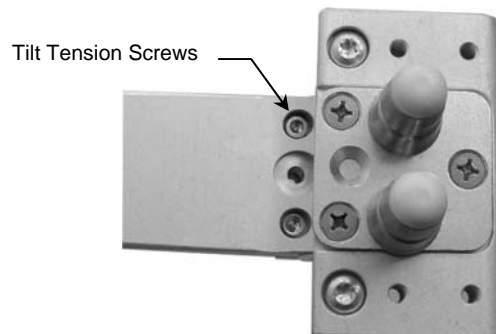
Perform Counterbalance Adjustment

Perform counterbalance adjustment in accordance with *Installation & Operation Manual for VHM™ Series Arms (DU-WS-0001)*.

Adjusting Tilt Tension

Tilt tension adjustment only is covered in this installation guide. Refer to *Installation & Operation Manual for VHM™ Series Arms (DU-WS-0001)* for making all other adjustments to the Arm.

1. Using the 5/32" hex wrench provided, equally tighten or loosen the two (2) Tilt Tension screws immediately behind the Mounting Adapter.



Cleaning

1. The mounting assembly may be cleaned with most mild, non-abrasive solutions commonly used in the hospital environment (e.g. diluted bleach, ammonia, or alcohol solutions).
2. The surface finish will be permanently damaged by strong chemicals and solvents such as acetone and trichloroethylene.
3. Do not use steel wool or other abrasive material to clean the mounting assembly.
4. Damage caused by the use of unapproved substances or processes will not be covered by warranty. We recommend testing of any cleaning solution on a small area of the arm that is not visible to verify compatibility.
5. Never submerge the arm, and do not allow liquids to enter the arm. Wipe any cleaning agents off of the arm immediately using a water-dampened cloth. Dry the arm thoroughly after cleaning.

CAUTION: GCX makes no claims regarding the efficacy of the listed chemicals or processes as a means for controlling infection. Consult your hospital's infection control officer or epidemiologist. To clean or sterilize mounted instruments or accessory equipment, refer to the specific instructions delivered with those products.