

## Installation Guide

Handle for Flat Panel Displays 11.5" [29 cm] to 18.5" [47 cm] Wide

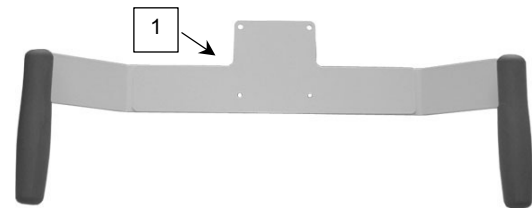
**Installation Note:** The Handle is designed to mount directly to the rear of a flat panel display with a 75mm x 75mm VESA mounting pattern. Displays with a 100mm x 100mm mounting pattern require attachment of GCX P/N FLP-0002-17C (Mounting Kit for 75/100m VESA Compatible Flat Panel Displays). The Handles are adjustable to fit typical flat panel displays from 11.5" [29 cm] to 18.5" [47 cm] wide (not diagonal measurement).

*The purpose of this guide is to describe attachment of the Handle to a flat panel display.*

### Parts Reference

The following parts and hardware will be used in this procedure:

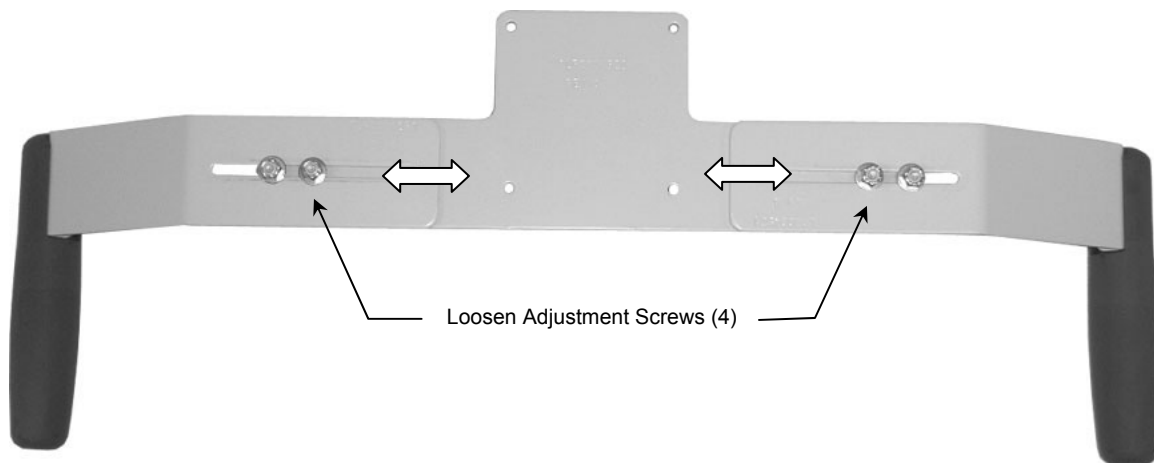
| Item # | Description                             | Qty |
|--------|---|-----|
| 1      | Handle Assembly                         | 1   |
| 2      | M4 x 12mm Pan Head Machine Screw (PHMS) | 4   |
| 3      | M4 x 14mm PHMS                          | 4   |



**Tools Required:** Phillips screwdriver, 3/8" wrench or nut driver.

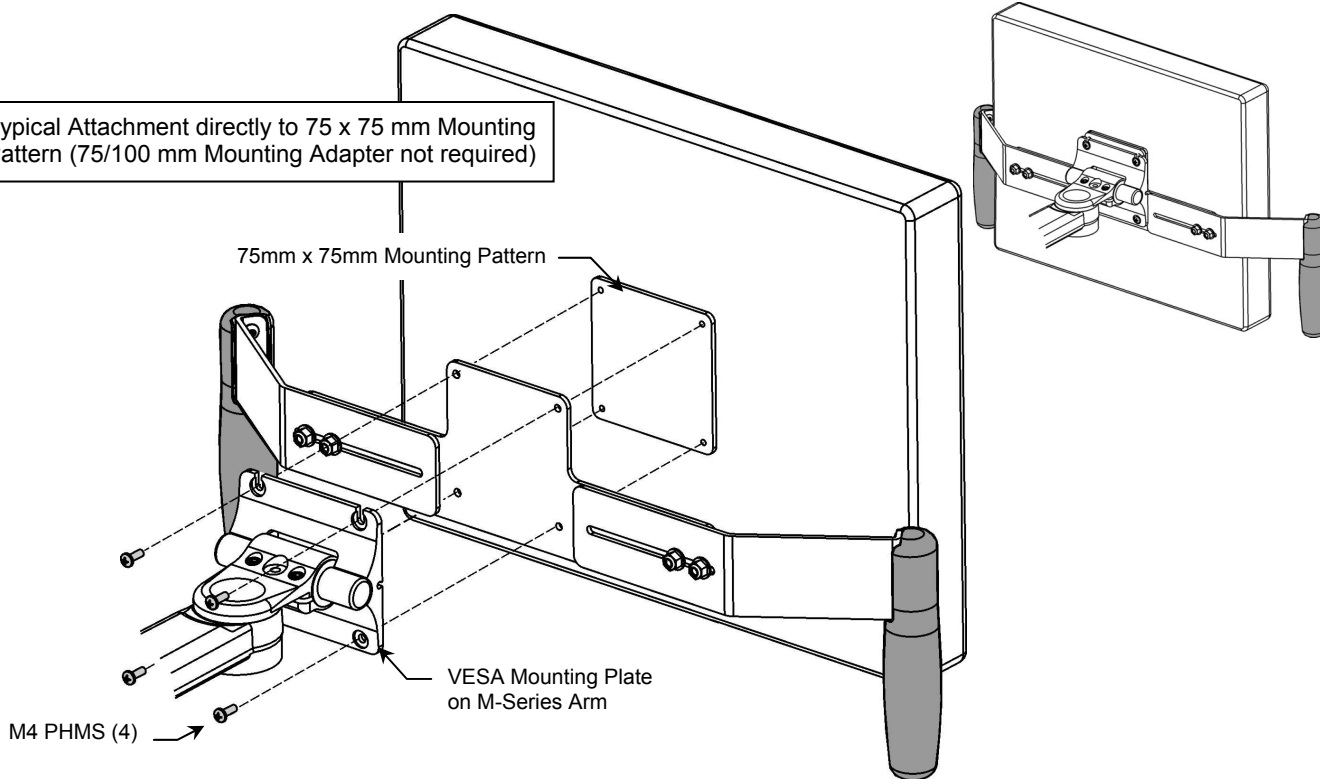
### Attaching the Handle Assembly to the Display

1. Using a 3/8" nut driver or wrench, loosen the four (4) Adjustment Screws. This allows the Handle assembly to be adjusted to the width of the display while being mounted. Do not fully tighten the individual Handles until the assembly has been mounted between the display and mounting plate.

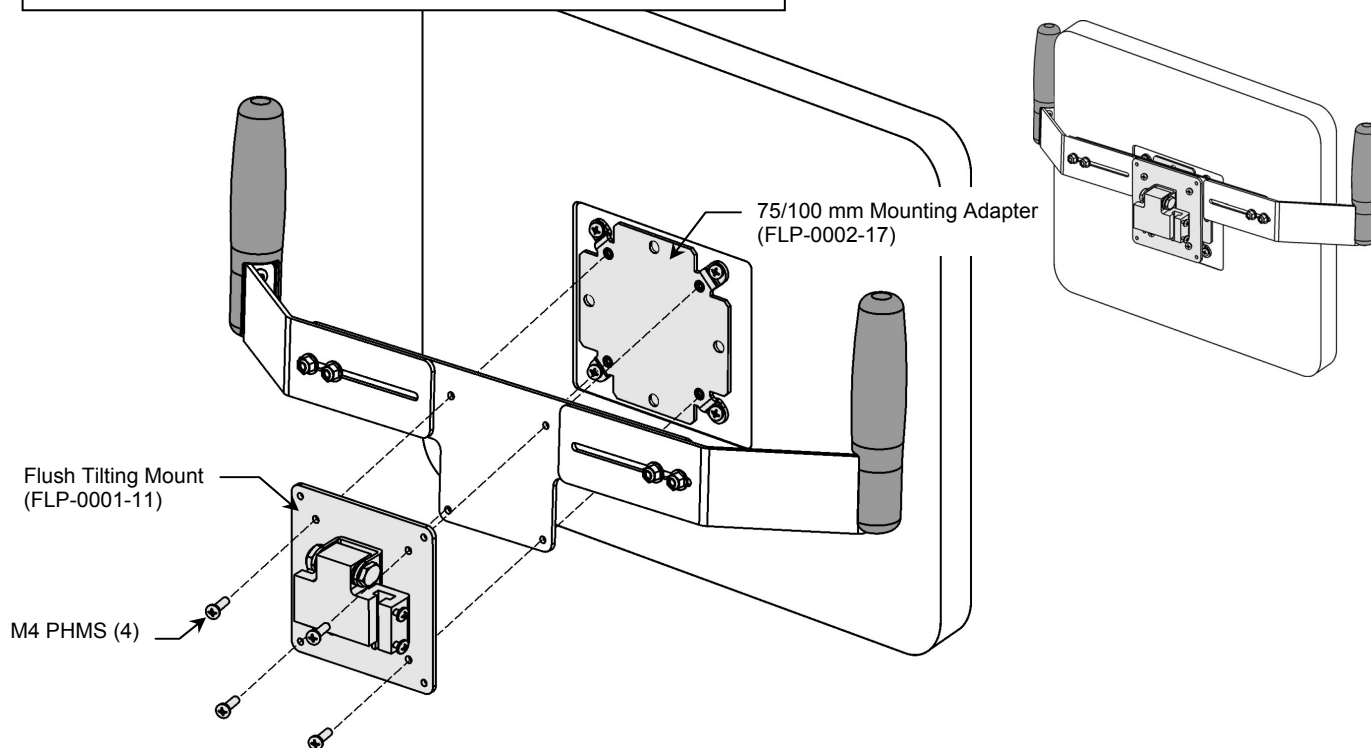


2. Fasten Handle to rear of display with four (4) M4 PHMS as shown in examples below. Handle may be attached with Grips up or down as shown below. See *Installation Note* on page 1 and illustration at bottom of this page for use with a display with a 100 mm x 100 mm mounting pattern.
3. Adjust Handles if necessary and tighten all four (4) Adjustment Screws.

Typical Attachment directly to 75 x 75 mm Mounting Pattern (75/100 mm Mounting Adapter not required)



Typical Attachment to 100 x 100 mm Mounting Pattern shown below. In this example the 75/100 mm Mounting Adapter (FLP-0002-17) is required for mounting with Flush Tilting Mount (FLP-0001-11).



## **Routine Maintenance**

Periodically check all mounting hardware. Tighten as necessary for optimal operation and safety.

## **Cleaning the Mounting Assembly**

1. The mounting assembly may be cleaned with most mild, non-abrasive solutions commonly used in the hospital environment (e.g. diluted bleach, ammonia, or alcohol solutions).
2. The surface finish will be permanently damaged by strong chemicals and solvents such as acetone and trichloroethylene.
3. Do not use steel wool or other abrasive material to clean the mounting assembly.
4. Damage caused by the use of unapproved substances or processes will not be covered by warranty. We recommend testing any cleaning solution on a small area of the mounting assembly that is not visible to verify compatibility.
5. Never submerge or allow liquids to enter the mounting assemblies. Wipe any cleaning agents off the mounting assembly immediately using a water-dampened cloth. Dry all mounting assemblies thoroughly after cleaning.

**CAUTION:** GCX makes no claims regarding the efficacy of the listed chemicals or processes as a means for controlling infection. Consult your hospital's infection control officer or epidemiologist. To clean or sterilize mounted instruments or accessory equipment, refer to the specific instructions delivered with those products.