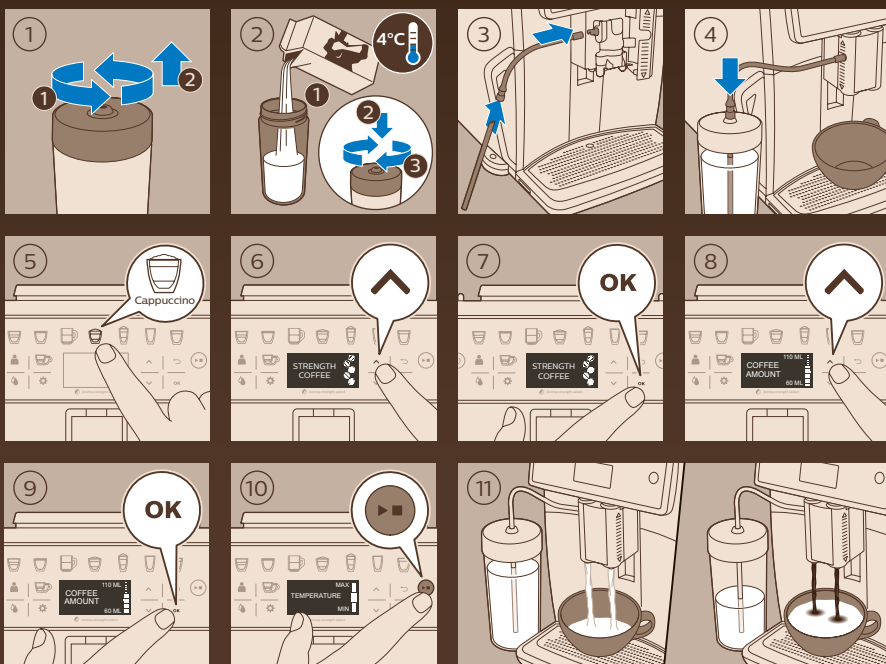


## ESPRESSO



## CAPPUCCINO



[www.saeco.com/care](http://www.saeco.com/care)

4219.460.4143.1

# Saeco



## Xelsis

### EN QUICKSTART GUIDE

SM7581, SM7580

CS STRUČNÝ NÁVOD  
DE KURZANLEITUNG  
HU GYORS ÁTTEKINTŐ ÚTMUTATÓ  
EL ΟΔΗΓΟΣ ΓΡΗΓΟΡΗΣ ΕΝΑΡΞΗΣ  
ES GUÍA DE INICIO RÁPIDO  
FR GUIDE DE DÉMARRAGE RAPIDE  
IT GUIDA DI AVVIO RAPIDO  
NL SNELSTARTGIDS

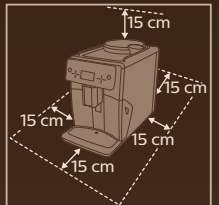
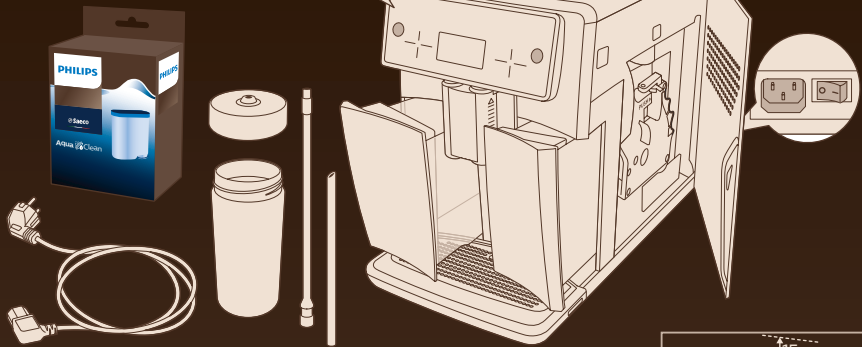
PL SKRÓCONA INSTRUKCJA OBSŁUGI  
PT GUIA DE INÍCIO RÁPIDO  
RO GHID DE INITIERE RAPIDĂ  
RU КРАТКОЕ РУКОВОДСТВО  
SL VODNIK ZA HITER ZAČETEK  
SK NÁVOD NA RÝCHLE POUŽITIE  
KK ЖҰМЫСТЫ БАСТАУДЫҢ  
ҚЫСҚАША НҰСҚАУЛЫҒЫ



[SAECO.COM/CARE](http://SAECO.COM/CARE)

**PHILIPS**

Saeco, a Philips brand



**FIRST USE**

1. Plug the power cord into the wall outlet.

2. Press the power button on the control panel.

3. Select the language: ENGLISH, ITALIANO, DEUTSCH, FRANCAIS.

4. Press the OK button.

5. Remove the water filter from the box.

6. Fill the water tank with water up to the MAX level.

7. Remove the water tank from the machine.

8. Place a cup under the spout.

9. Press the play button to start the process.

10. The machine dispenses water into the cup.

11. WOULD YOU LIKE TO INSTALL THE AQUA CLEAN FILTER TO ENJOY 5000 CUPS.

12. Insert the Aqua Clean filter into the holder.

13. Press the OK button for 5 seconds.

14. Place the filter holder into the machine's water tank.

15. Press the OK button.

16. Fill the water tank with water up to the MAX level.

17. Press the OK button.

18. Place a container under the spout.

19. Press the OK button. PLACE A CONTAINER UNDER THE SPOUT.

20. ACTIVATING FILTER.

21. The machine dispenses water into the container.

22. IN THE NEXT STEPS WE WILL SET THE CORRECT WATER HARDNESS LEVEL.

23. Press the OK button. PUT A pH TEST STRIP IN WATER AND WAIT FOR 1 MINUTE.

24. Insert the pH test strip into the water.

25. Wait 1 minute for the test strip to change color.

26. Wait 1 minute for the test strip to change color.

27. Press the OK button.

28. Press the OK button. RED ZONES.

29. HEATING.

30. RINSING.

31. The machine dispenses water into the container.

32. Press the OK button.

33. Add coffee grounds to the filter holder.

34. Press the OK button. FOR MORE INFO PLEASE VISIT SAECO.COM/CARE.

35. QR code for more information.

[www.saeco.com/care](http://www.saeco.com/care)

[www.saeco.com/care](http://www.saeco.com/care)