



Xitanium Constant Current Xtreme

Xitanium 150W 0.35-0.7A GL Prog sXt

Xitanium Xtreme LED drivers provide constant current output, optimal for a single string of LEDs. With exceptional operating efficiency, our drivers significantly reduce energy costs. The Xitanium Xtreme portfolio offers both central and standalone dimming protocols further increasing the energy savings and CO2 reductions achieved with LED lighting. The fully programmable drivers deliver all dimming options and a range of currents in a single driver. System reliability is maximized with intelligent temperature monitoring of the LED light engine. The full portfolio offers maximum flexibility with customizable operating settings, delivering optimal performance tailored for each design.

Product data

• General Characteristics

Input Frequency	50/60 Hz
IP Classification	IP66
Lifetime 90% surv.@Tcaselife	100000 hr
Housing Color	Black

• Operating Characteristics

Ripple current	30 %
Efficiency Range	93 %
Output Power Range	30-150 W
Power Factor (100% load)	0.97 (min) -
Input Power max	165 W
Output Voltage Range	125-280 V
Output Current Range (mA)	Programmable (350-700)
Total Harmonic Distortion IEC	20 (max) %
Dimming range	100-10 %
Constant Lumen Output	Programmable
Input Current max	700 (max) mA
Inrush Current Peak	108 (max) A
Output Current Tolerance	-5 (min), 5 (max) %
Inrush Current Width to 50%	140 us
Type of Dimming	1-10V/DALI/Dynadimmer
Input Voltage Range (AC)	120-277 V
Power Factor (dimmed 50%)	0.94 (min) -
Earth leakage current	0.7 (max) mA

Max drivers on MCB(16A type-B)	7 (max) x
Surge Protection (comm./diff.)	3/3 kV
LumiStep Dimming Time	-
LumiStep Time After Midpoint	-

• Wiring Characteristics

Connection on driver to L2	Wire
Input Wire Length	500 mm
Input Wire Diameter	0.82 mm2
Control Wire Diameter	0.82 mm2
Control Wire Length	500 mm
Output Wire Length	500 mm
Output Wire Diameter	0.82 mm2

• Temperature Characteristics

T-case Lifetime	71 C
T-case maximum	80 (max) C
T-ambient	-40 (min), 55 (max) C
Tc Thermal Cut off Driver	92 C
Tc Thermal Cut off Module	Programmable

• Product Dimensions

Length A1	240.5 mm
Length A3	211.1 mm
Width B1	59.1 mm

PHILIPS

Titanium Constant Current Xtreme

Height C1	37.1 mm
Fixing Hole Diameter D1	8 mm
Fixing Hole Distance Width B2	42.9 mm
Fixing Hole Distance Length A2	226.2 mm
Length Cable X1	500 mm

Full product code	929000702202
Full product name	Xitanium 150W 0.35-0.7A GL Prog sXt
Order product name	Xitanium 150W 0.35-0.7A GL Prog sXt
Pieces per pack	1
Packing configuration	10
Packs per outerbox	10
Bar code on pack - EAN1	8718291999782
Bar code on outerbox - EAN3	8727900783513
Logistic code(s) - 12NC	929000702202
Net weight per piece	1.270 kg

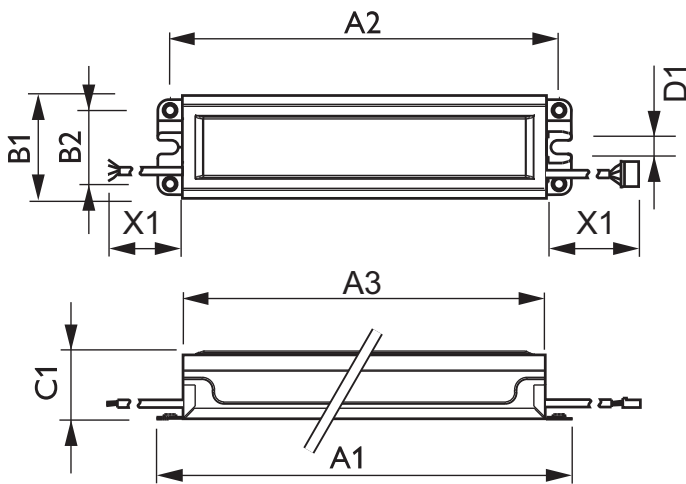
• Approval & Application Chars

Isolation classification	Class II
ENEC certificate	Yes
CE marking	Yes
RoHS compliance	Yes

• Product Data

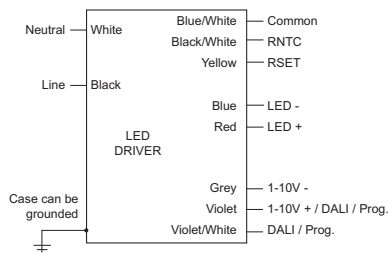
Order code	929000702202
------------	--------------

Dimensional drawing



Xitanium 150W 0.35-0.7A GL Prog sXt

Product	A1 (Norm)	A2 (Norm)	A3 (Norm)	B1 (Norm)	B2 (Norm)	C1 (Norm)	D1 (Norm)	X1 (Norm)
Xitanium 150W 0.35-0.7A GL Prog sXt	240.5	226.2	211.1	59.1	42.9	37.1	8	500



Xitanium 75 & 150W 0.35-0.70A Prog & Prog+ sXt



© 2015 Koninklijke Philips N.V. (Royal Philips)
All rights reserved.

Specifications are subject to change without notice. Trademarks are the property of Koninklijke Philips N.V. (Royal Philips) or their respective owners.

www.philips.com/lighting

2015, August 29
data subject to change