

Energy efficient edge-lit panel

The SmartBright Slim Panel is a functional, edge-lit LED panel ideal for general lighting applications. This superior light fitting delivers high efficacy, uniform light output with excellent glare control, in a slim line form factor.

Features and benefits

- Energy efficient edge lit panel
- Comfortable light with minimal glare
- 3 years warranty

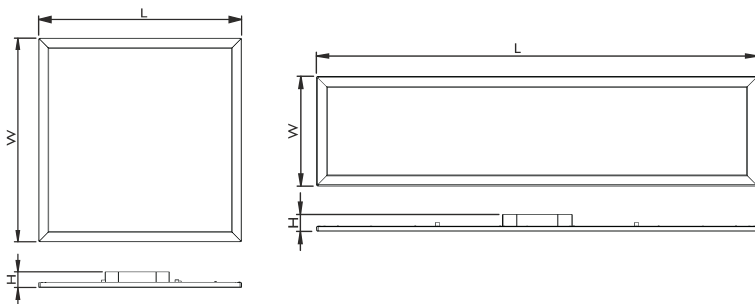
Product specifications

Model	SmartBright Slim Panel (RC091V)	
Type	LED26S	LED36S
Equivalent of	1x28W	2x28W
Power	34W	45W
System lumen	2600lm	3600lm
Power factor	0.9	
CCT	4000K (NW)	
CRI	>80	
SDCM	≤5	
UGR	25	
Beam Angle	90°	
Operating Temperature	25°C (-20°C < ta < 40°C)	
Lifetime (L70)*	25,000 hours	
Type	Fixed Output	
IP rating	IP20	
Insulation Rating	CA90	
Electrical Class	Class II	
Input Voltage	220V-240V, 50/60Hz	
Mounting Type	Recessed (T-Bar), Suspended**	
Housing colour	White powder coated	
Material	Diffuser: PC	
	Housing: Metal	
Application	Commercial buildings, general lighting	

*When the fitting reaches 70% of full potential (new)

**Suspension cable to be purchased

Dimensions



Model	Width (mm)	Length (mm)	Height (mm)	Weight (kg)
Rectangle	297	1197	41	2.3
Square	597	597	41	2.1

Dimensions shown above are nominal measurement. Slight variation in dimension may occur in production.

Order placement information

Commercial Code	12NC	Description	Specification
SBSPLED26NWFSQ	911401847297	RC091V LED26S/840 PSU W60L60 CAU	Recessed, 2600lm, 4000K, Fixed, 597x597mm
SBSPLED26NWFRE	911401847397	RC091V LED26S/840 PSU W30L120 CAU	Recessed, 2600lm, 4000K, Fixed, 297x1197mm
SBSPLED36NWFSQ	911401847497	RC091V LED36S/840 PSU W60L60 CAU	Recessed, 3600lm, 4000K, Fixed, 597x597mm
SBSPLED36NWFRE	911401847597	RC091V LED36S/840 PSU W30L120 CAU	Recessed, 3600lm, 4000K, Fixed, 297x1197mm

© 2017 Philips Lighting Australia Pty Ltd
All rights reserved. Philips reserves the right to make changes in specifications and/or to discontinue any product at any time without notice or obligation and will not be liable for any consequences resulting from the use of this publication.

Version: 17 May 2017



Philips Lighting Australia
65 Epping Road,
North Ryde 2113, Australia
Ph: 1300 304 404
www.philips.com.au/lighting