

The Philips logo is displayed in a white rounded rectangle on a dark green background. The word "PHILIPS" is written in a bold, blue, sans-serif font.

Professional Lighting

Urban Street Lighting

CitySpirit Cone



Illuminating  
streets in style

# Bright and beautiful streetscapes



Beautifully designed lighting adds heart and soul to any city. It enables public spaces to be well-lit and rightly lit, invigorating communities and making everyone feel safe and welcome.

Philips CitySpirit Cone is an energy-saving LED lighting solution that does not compromise on aesthetics. Its luminaire, mast, and bracket carry an integrated and stylish design that beautifully blends into any urban landscape. Various combinations of optical components generate lighting effects that meet different lighting requirements and ensure visual comfort at the right light level.

Available in two different color options, Philips CitySpirit Cone offers versatility, consistent light quality, and impressive energy efficiency.

## Applications

- Parks, gardens, and promenades
- Shopping center plazas
- Sidewalks
- Residential areas

# Good looking, good quality

## Energy efficient

It comes with high performance LED.

## Color options

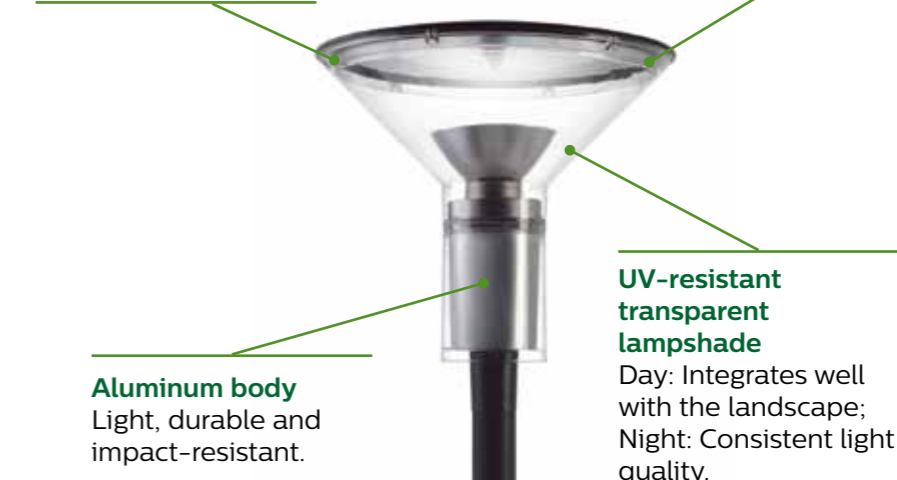
Available in warm white (3000K) and neutral white (4000K).

## Aluminum body

Light, durable and impact-resistant.

## UV-resistant transparent lampshade

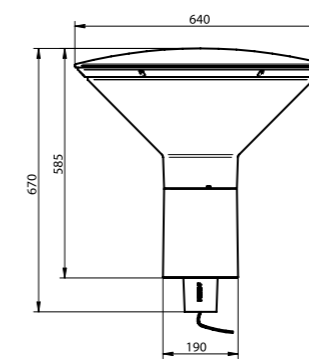
Day: Integrates well with the landscape; Night: Consistent light quality.



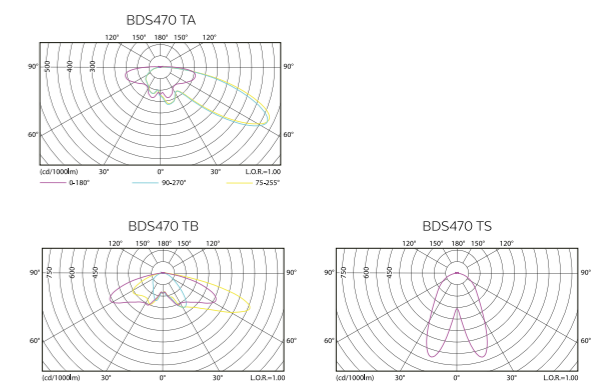
## Features and benefits

- **Good design.** Sleek and stylish, fits into any urban landscape.
- **Long-lasting.** Long lifetime of 50,000 hours.
- **Versatility.** Its symmetrical, asymmetrical and road configuration light distribution meet requirements of different lightning applications.

## Product dimensions (Unit: mm)



## Light distribution curves



# Take the Next Step

See how Philips CitySpirit Cone can address your roads and streets lighting needs. Contact your local Philips Sales Representative for more information or to schedule a personalized demonstration.

# Product data

## General Characteristics

|          |   |
|----------|---|
| Type     | BDS470  |
| Lifetime | 50,000 hours (L70B50)<br>(70% lumen maintenance<br>@ Ta = 35°C) |
| Optic    | TS: Symmetrical<br>TA: Asymmetrical<br>TB: Road configuration   |

## Light Technical Characteristics

|                             |   |
|-----------------------------|---|
| Lumen output                | High lumen version: Natural white<br>NW>4,000lm; low lumen version:<br>Natural white NW>2,600lm |
| LED                         | Mid-Power LED   |
| Light distribution          | Landscape configuration<br>(symmetrical or asymmetrical), road<br>light distribution            |
| Color rendering<br>index Ra | >70   |
| SDCM                        | 5   |

## Electrical Characteristics

|                        |  |
|------------------------|--|
| Wattage<br>consumption | High lumen version: 52W;<br>low lumen version: 34W |
| Supply voltage         | 220-240V 50/60Hz                                   |
| Control interface      | ON/OFF   |

## Mechanical

|                           |   |
|---------------------------|---|
| Product dimension         | Ø640mm, H670mm  |
| Material and<br>finishing | UV-resistant transparent PC texture<br>lampshade, high-pressure casting<br>aluminum light body and upper<br>cover |
| Weight                    | 10kg  |
| Housing body colour       | Dark Grey (RAL7043)   |

## Product Data

|                          |   |
|--------------------------|---|
| Installation             | Post top mounted, locked with 2xM8<br>hexagon screws. Recommended<br>installation height is 4m, suitable for<br>Ø60mm pole. |
| Classification           | Class I, IP65, IK09   |
| Operating<br>temperature | -40°C ~ +50°C   |
| Certification            | CB, Rohs, CQC   |

## Ordering Information

|              |  |
|--------------|--|
| 911401671604 | BDS470 C 35xLED/NW PSU 220-240V TA ANZ |
| 911401669004 | BDS470 C 35xLED/NW PSU 220-240V TB ANZ |
| 911401670504 | BDS470 C 35xLED/NW PSU 220-240V TS ANZ |
| 911401669304 | BDS470 C 35xLED/WW PSU 220-240V TA ANZ |
| 911401669504 | BDS470 C 35xLED/WW PSU 220-240V TB ANZ |
| 911401670704 | BDS470 C 35xLED/WW PSU 220-240V TS ANZ |
| 911401670904 | BDS470 C 55xLED/NW PSU 220-240V TA ANZ |
| 911401671104 | BDS470 C 55xLED/NW PSU 220-240V TB ANZ |
| 911401671504 | BDS470 C 55xLED/NW PSU 220-240V TS ANZ |
| 911401671304 | BDS470 C 55xLED/WW PSU 220-240V TA ANZ |
| 911401671004 | BDS470 C 55xLED/WW PSU 220-240V TB ANZ |
| 911401671204 | BDS470 C 55xLED/WW PSU 220-240V TS ANZ |

