

**PHILIPS**

Professional Lighting

RoadFlair



Sleek and superior  
Beyond anticipation

# Fit-for-purpose design



Designed for major and city roads, Philips RoadFlair is a new and exciting product set to brighten your streets beyond imagination. Smartly-designed to bring cities the highest savings possible with best-in-class lumen per watt, this road lighting production comes at a competitive price bound to excite.

Philips RoadFlair brings energy efficiency, improves a city's sustainability drive and delivers significant cost reduction in urban environments. The right road luminaire coupled with the right lighting application will create the best environment for your municipality, benefiting local communities and boosting tourism and businesses.

## Application

- Roads
- Street
- Highways
- Parking

# Tool-less opening, low failure rate



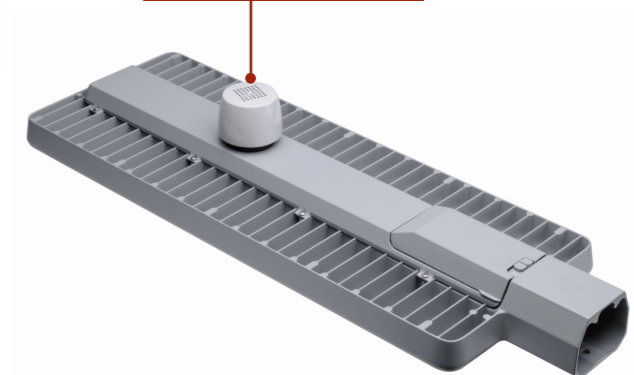
**Best in class LED Technology**  
Consistent performance and reliability guaranteed

**New Functional design**  
Designed to meet all the requirements of road and street lighting applications



**Tool-less opening**  
Tool-less access for Small and Medium housing gear compartment. Tool-less access for Large housing SPD compartment.

**Control System Support**  
7pin NEMA CityTouch  
CityTouch Flex  
7pin NEMA Receptacle  
SR socket  
Aplight Gen2



## Benefits

- **High lumen efficacy**  
130 to 148 lumen per watt – much higher than currently available solutions.
- **Unique functional design**  
Sleek, light-weight and well-designed luminaire.
- **Control and dimming ready**  
Supports CityTouch connect application, 7-Pin Nema socket and standard outdoor dimming protocols.
- **Value for money / most competitive product in its segment** Perfect for renovation, upgrading projects. Best-in-class LED lighting technology at an unmatched, competitive price.

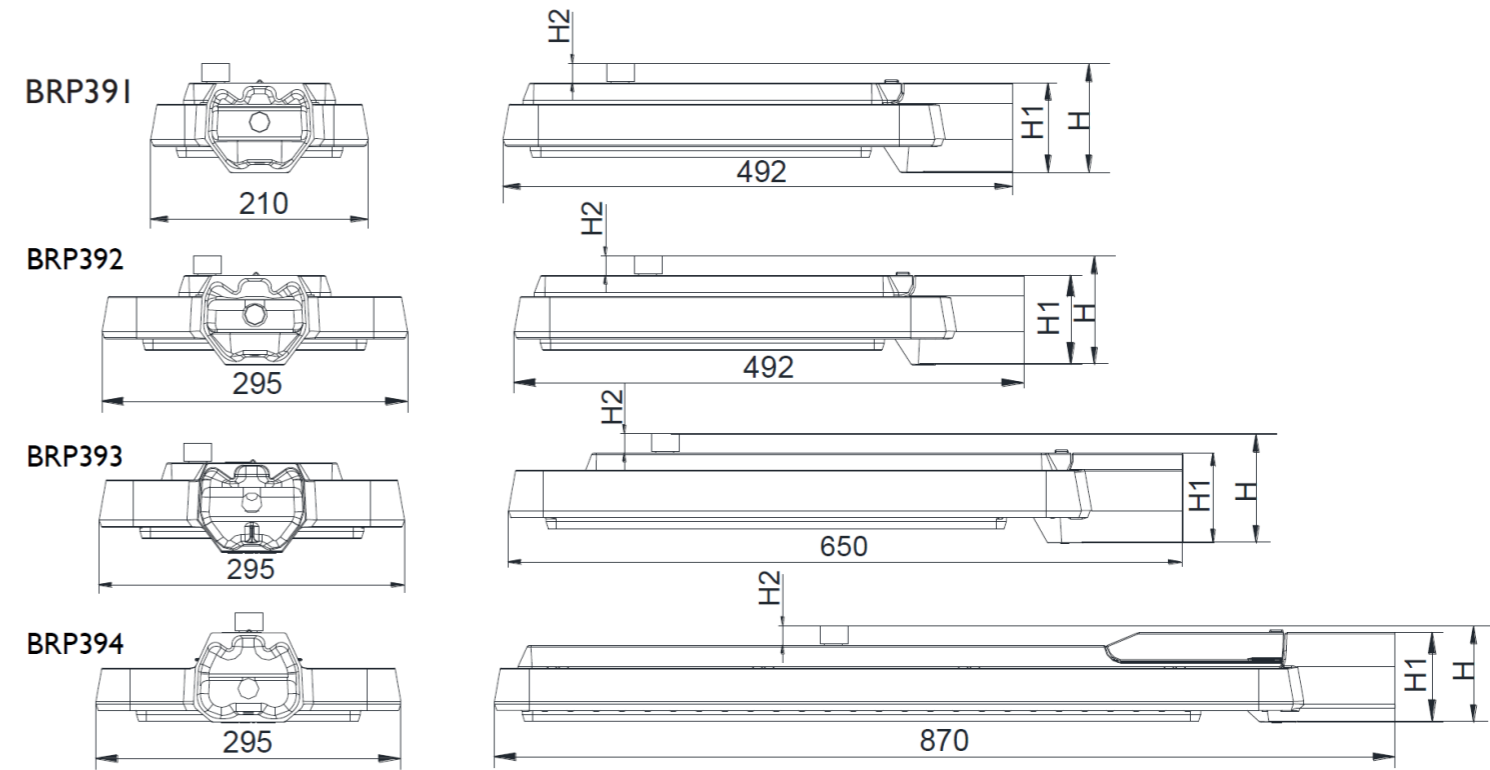
# Take the next step

See how Philips RoadFlair can address your road lighting needs. Contact your local Philips Sales Representative for more information or to schedule a personalized demonstration.



# Dimensional & technical detail

Unit: mm



Type	Weight/kg	H1/mm	Wind force area/m <sup>2</sup>	Standard version	NEMA socket + LLC		NEMA socket + short cap		SR socket + LLC		SR socket + short cap	
				L×W×H/mm	H2/mm	L×W×H/mm	H2/mm	L×W×H/mm	H2/mm	L×W×H/mm	H2/mm	L×W×H/mm
BRP391	≈5	86	0.1	492×210×86	70	492×210×156	46	492×210×132	33	492×210×119	16	492×210×102
BRP392	≈7	86	0.14	492×295×86	70	492×295×156	46	492×295×132	33	492×295×119	16	492×295×102
BRP393	≈8	86	0.17	651×295×86	70	651×295×156	46	651×295×132	33	651×295×119	16	651×295×102
BRP394	≈10	86	0.25	870×295×86	70	870×295×144	46	870×295×120	33	870×295×107	16	870×295×91

System Power Tolerance ± 10%

## Driver Inrush Current (Dimming version)

1 pcs driver	2 pcs driver	Driver Description
108A/140μs	216A/140μs	Xitanium 75W 0.35-0.7A GL Prog sXt
108A/140μs	216A/140μs	Xitanium 150W 0.35-0.7A GL Prog sXt
46A/250μs	92A/250μs	Xi FP 75W 0.2-0.7A SNLDAE 230V S240 sXt
53A/300μs	106A/300μs	Xi FP 150W 0.2-0.7A SNLDAE 230V S240 sXt
46A/250μs	92A/250μs	Xi FP 75W 0.2-0.7A SNLCDAE 230V S240 sX
53A/300μs	106A/300μs	Xi FP 150W 0.2-0.7A SNLCDAE 230V S240 sX
65A/330μs	130A/330μs	Xi SR 75W 0.2-0.7A SNEMP 230V S240 sXt
65A/330μs	130A/330μs	Xi SR 150W 0.2-0.7A SNEMP 230V S240 sXt

# Product data

## General Characteristics

Type	BRP391/392/393/394
Lifetime*	100,000 hours (L70 at Ta 35C)
Optics	DM, DW1, DW2, DWV, DWP
Ingress Protection	IP66
Impact Resistance	IK08
SDCM	5

## Light Technical Characteristics

Light source	LED
LED driver	Constant current or programmable driver options
System lumen output (lm)	Up to 39,000 lumen
Color rendering index	Minimum 70
Color Temperature	CW-5700K / NW-4000K / WW-3000K ± 500K

## Electrical Characteristics

Power requirement	220-240V 50/60Hz
Power factor	> 0.95 (nominal power)
Drive current	100mA - 700mA

## Environmental Characteristics

Installation	Side Entry: Standard version $\Phi$ 42-60mm pole ANZ version $\Phi$ 34-60mm pole
Windage area	BRP391 : 0.1m <sup>2</sup> ; BRP392 : 0.14m <sup>2</sup> ; BRP393 : 0.17m <sup>2</sup> BRP394 : 0.25m <sup>2</sup> < 12 m
Mounting height	Optimized for 8 to 14m
Working temperature	- 40°C < Ta < 50°C
Wind force	Up to 60m/s
Relative humidity	Up to 95%RH

## System Support

CityTouch  
CityTouch Flex  
Amplight  
In addition, support SR and NEMA receptacle

## Mechanical

Housing Material	High-pressure die-cast aluminum
Gasket material	Heat resistant silicone rubber
Cover	Transparent weather resistant grade polycarbonate
Finishing	Gray Paint RAL7040

## Product Information

Dimensions (LxWxH)	BRP391: 492 X 210 X 86 BRP392: 492 X 295 X 86 BRP393: 650 X 295 X 86 BRP394: 870 X 295 X 86
Weight	BRP391: 5kg BRP392: 7kg BRP393: 8kg BRP394: 10kg
Certifications	CB IEC 60598, CQC, TS1158, PSE,CE
Classifications	Class I & II
Surge protection	10KV/15KV
Control Options	Standalone dimming program, CityTouch, Amplight compatible
Maintenance	Tool-less opening of gear compartment for BRP391 and BRP392 Tool-less opening of SPD compartment for BRP394

BRP391 LED53/NW 40W 220-240V DM  
BRP391 LED65/NW 50W 220-240V DM  
BRP391 LED78/NW 60W 220-240V DM  
BRP391 LED93/NW 70W 220-240V DM  
BRP391 LED104/NW 80W 220-240V DM  
BRP392 LED117/NW 90W 220-240V DM  
BRP392 LED130/NW 100W 220-240V DM  
BRP392 LED143/NW 110W 220-240V DM  
BRP392 LED157/NW 120W 220-240V DM  
BRP392 LED170/NW 130W 220-240V DM  
BRP392 LED182/NW 140W 220-240V DM  
BRP392 LED195/NW 150W 220-240V DM  
BRP393 LED208/NW 160W 220-240V DM  
BRP393 LED221/NW 170W 220-240V DM  
BRP393 LED234/NW 180W 220-240V DM  
BRP393 LED247/NW 190W 220-240V DM  
BRP393 LED260/NW 200W 220-240V DM  
BRP393 LED273/NW 210W 220-240V DM  
BRP393 LED286/NW 220W 220-240V DM  
BRP393 LED299/NW 230W 220-240V DM  
BRP394 LED312/NW 240W 220-240V DM  
BRP394 LED325/NW 250W 220-240V DM  
BRP394 LED338/NW 260W 220-240V DM  
BRP394 LED351/NW 270W 220-240V DM  
BRP394 LED364/NW 280W 220-240V DM  
BRP394 LED378/NW 290W 220-240V DM  
BRP394 LED390/NW 300W 220-240V DM

More options available

