



Essential LED

Essential LED 4.5-50W GU10 827 120V 36D

Essential LED is an affordable LED spot lamp that is suitable for replacing halogen spot lamps. It provides a natural lighting effect as well as instant energy savings – an environmentally friendly solution. The Philips Essential LED family is designed for spot and general lighting applications in the hospitality, retail and home segments.

Product data

• General Characteristics

Cap-Base	GU10
Bulb	PAR16 [PAR 2inch]
Rated Lifetime (hours)	15000 hr
Nominal Lifetime hours	15000 hr

Dimmable	No
Wattage Equivalent	50 W
Rated Wattage	4.5 W
Starting Time	0.5 (max) s
Warm-up Time to 60% Light Outp	instant full light
Suitable for accent lighting	Yes

• Light Technical Characteristics

Color Code	827
Color Designation (text)	Warm White
Beam Angle	36 D
Beam Description	36D [Medium beam]
Correlated Color Temperature	2700 K
Luminous Flux	300 Lm
Luminous Intensity	750 cd
Color rendering index	80
Luminous Efficacy Lamp	66.67 Lm/W
Color Temperature	2700 K [CCT 2700K]
Rated Luminous Flux	300 Lm
LLMF - end nominal lifetime	70 %
Colour consistency	6 steps
Rated Beam Angle	36 D

• Temperature Characteristics

T-case maximum	86 C
----------------	------

• Environmental characteristics

Energy Efficiency Label (EEL)	A+
Energy consumption kWh/1000h	5 kWh

• Measuring Conditions

Switching cycle	50000X
-----------------	--------

• Product Dimensions

Overall Length C	55 mm
Diameter D	50 mm

• Product Data

Order code	929000279141
Full product code	929000279141
Full product name	Essential LED 4.5-50W GU10 827 120V 36D
Order product name	Essential LED 4.5-50W GU10 827 120V 36D

• Electrical Characteristics

Wattage	4.5 W
Voltage	120 V
Line Frequency	50 Hz
Power Factor	0.9 -
Lamp Current mA	38 mA



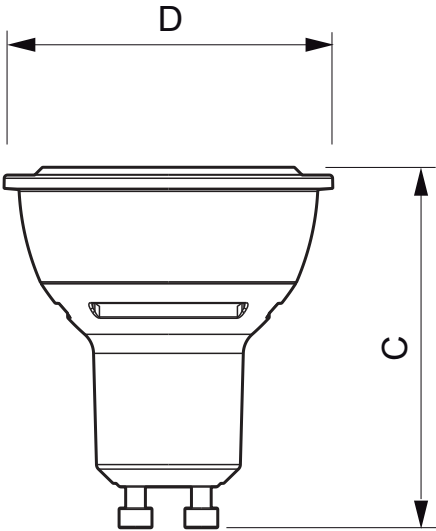
PHILIPS

Essential LED

Pieces per pack 1
 Packing configuration 6
 Packs per outerbox 6
 Bar code on pack - EAN1 8718291768784

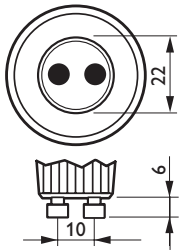
Bar code on outerbox - EAN3 8718291768791
 Logistic code(s) - 12NC 929000279141
 Net weight per piece 0.038 kg

Dimensional drawing



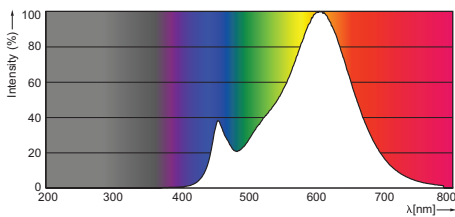
Essential LED 4.5-50W GU10 827 120V 36D

Product	C (Norm)	C1 (Max)	D (Norm)	D1 (Norm)
LED 4.5-50W GU10 827 120V 36D	55	-	50	-



GU10

Photometric data



4.5-50 W, 5.7-50 W GU10 PAR16 /827 36D



© 2014 Koninklijke Philips N.V. (Royal Philips)
 All rights reserved.

Specifications are subject to change without notice. Trademarks are the property of Koninklijke Philips N.V. (Royal Philips) or their respective owners.

www.philips.com/lighting

2014, November 29
 data subject to change