



# Essential LED

Essential LED 4.5-50W GU10 865 120V 36D

Essential LED is an affordable LED spot lamp that is suitable for replacing halogen MR16 lamps. It provides a natural lighting effect as well as instant energy savings – an environmentally friendly solution. The Philips Essential LED MR16 family is designed for spot and general lighting applications in the hospitality, retail and home segments.

## Product data

### • General Characteristics

Cap-Base	GU10
Bulb	PAR16 [PAR 2inch]
Rated Lifetime (hours)	15000 hr
Nominal Lifetime hours	15000 hr

Dimmable	No
Wattage Equivalent	50 W
Rated Wattage	4.5 W
Starting Time	0.5 (max) s
Warm-up Time to 60% Light Outp	instant full light
Suitable for accent lighting	Yes

### • Light Technical Characteristics

Color Code	865
Color Designation (text)	Cool White
Beam Angle	36 D
Beam Description	36D [Medium beam]
Correlated Color Temperature	6500 K
Luminous Flux	370 Lm
Luminous Intensity	925 cd
Color rendering index	80
Luminous Efficacy Lamp	82.22 Lm/W
Color Temperature	6500 K [CCT 6500K]
Rated Luminous Flux	370 Lm
LLMF - end nominal lifetime	70 %
Colour consistency	6 steps
Rated Beam Angle	36 D

### • Temperature Characteristics

T-case maximum	86 C
----------------	------

### • Environmental characteristics

Energy Efficiency Label (EEL)	A+
-------------------------------	----

### • Measuring Conditions

Switching cycle	50000X
-----------------	--------

### • Product Dimensions

Overall Length C	55 mm
Diameter D	50 mm

### • Product Data

Order code	929000279241
Full product code	929000279241
Full product name	Essential LED 4.5-50W GU10 865 120V 36D
Order product name	Essential LED 4.5-50W GU10 865 120V 36D
Pieces per pack	1
Packing configuration	6

### • Electrical Characteristics

Wattage	4.5 W
Voltage	120 V
Line Frequency	50-60 Hz
Power Factor	0.9 -
Lamp Current mA	38 mA



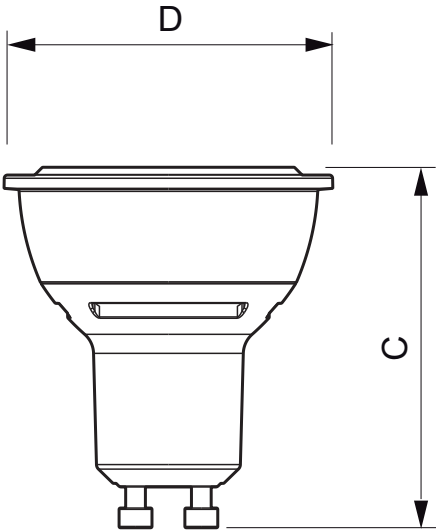
# PHILIPS

# Essential LED

Packs per outerbox 6  
Bar code on pack - EAN1 8718291768807  
Bar code on outerbox - EAN3 8718291768814

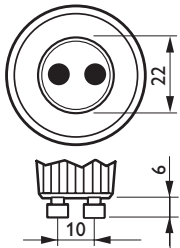
Logistic code(s) - 929000279241  
12NC  
Net weight per piece 0.038 kg

## Dimensional drawing



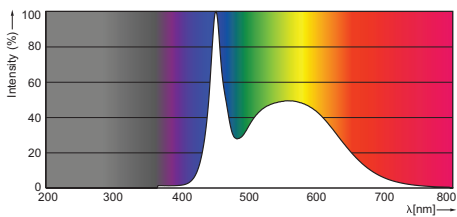
## Essential LED 4.5-50W GU10 865 120V 36D

Product	C (Norm)	C1 (Max)	D (Norm)	D1 (Norm)
LED 4.5-50W GU10 865 120V 36D	55	-	50	-



GU10

## Photometric data



4.5-50 W GU10 PAR16 /865



© 2014 Koninklijke Philips N.V. (Royal Philips)  
All rights reserved.

Specifications are subject to change without notice. Trademarks are the property of Koninklijke Philips N.V. (Royal Philips) or their respective owners.

[www.philips.com/lighting](http://www.philips.com/lighting)

2014, October 14  
data subject to change