



Essential LED

Essential LED 5-50W 2700K MR16 24D

Essential LED is an affordable LED spot lamp that is suitable for replacing halogen MR16 lamps. It provides a natural lighting effect as well as instant energy savings – an environmentally friendly solution. The Philips Essential LED MR16 family is designed for spot and general lighting applications in the hospitality, retail and home segments.



PHILIPS

Product data

• General Characteristics

Cap-Base	GU5.3
Bulb	MR16 [MR 16inch/50mm]
Rated Lifetime (hours)	15000 hr
Rated Lifetime (years)	10 an
Nominal Lifetime hours	15000 hr

• Light Technical Characteristics

Color Code	827
Color Designation (text)	Warm White
Beam Angle	24 D
Correlated Color Temperature	2700 K
Luminous Flux	355 Lm
Luminous Intensity	1100 cd
Color rendering index	80
Color Temperature	2700 K [CCT 2700K]
Rated Luminous Flux	355 Lm
Rated Beam Angle	24 D

• Electrical Characteristics

Wattage	5 W
Wattage Technical	5 W
Voltage	12 V
Line Frequency	50-60 Hz
Power Factor	0.5 -
Lamp Current mA	715 mA
Dimmable	No
Wattage Equivalent	50 W

Rated Wattage	5.0 W
Starting Time	0.5 (max) s

• Environmental characteristics

Energy Efficiency Label (EEL)	A
-------------------------------	---

• Measuring Conditions

Switching cycle	50000x
-----------------	--------

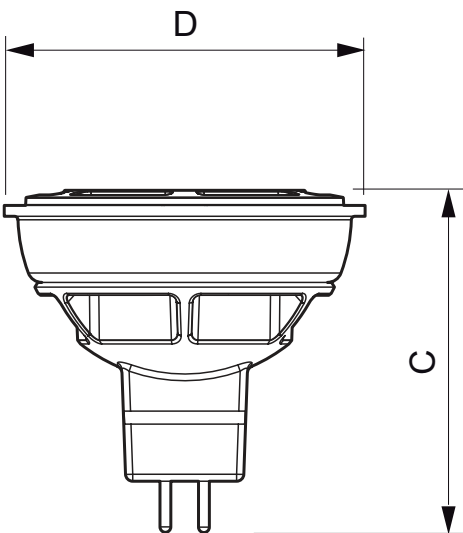
• Product Dimensions

Overall Length C	47.3 mm
Diameter D	49.9 mm

• Product Data

Order code	929000237038
Full product code	929000237038
Full product name	Essential LED 5-50W 2700K MR16 24D
Order product name	Essential LED 5-50W 2700K MR16 24D
Pieces per pack	1
Packing configuration	20
Packs per outerbox	20
Bar code on pack - EAN1	8718291680864
Bar code on outerbox - EAN3	8718291680871
Logistic code(s) - 12NC	929000237038
Net weight per piece	0.035 kg

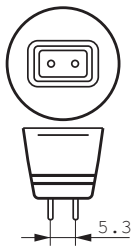
Dimensional drawing



Essential LED 5-50W 2700K MR16 24D

Product	C (Norm)	C1 (Max)	D (Norm)	D1 (Norm)
LED 5-50W 2700K MR16 24D	47.3	-	49.9	-

Dimensional drawing



GU5.3



© 2013 Koninklijke Philips N.V. (Royal Philips)
All rights reserved.

Specifications are subject to change without notice. Trademarks are the property of Koninklijke Philips N.V. (Royal Philips) or their respective owners.

www.philips.com/lighting

2013, December 19
data subject to change