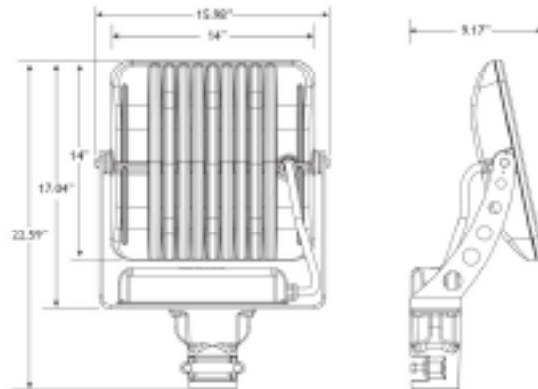


# FX1 LED FLOOD LIGHT



## LED FLOOD LIGHT, FX SERIES, FX1

The FX1 LED Flood Light is a sleek contemporary design with precision designed injection molded optics. The six different optic plates and three mounting options provide versatility FX1 for use in many outdoor lighting applications. The FX1 uses the Philips LEDGINE platform which maximizes energy savings and provides uniform and comfortable white light. The FX1 LED Flood Light is a great solution for new installations as well as retrofit applications.

Project: \_\_\_\_\_

Location: \_\_\_\_\_

Catalog No: \_\_\_\_\_

Fixture Type: \_\_\_\_\_

Mfg: \_\_\_\_\_ Lamps: \_\_\_\_\_ Qty: \_\_\_\_\_

Notes: \_\_\_\_\_

## Specifications

**APPLICATIONS:** This LED Flood Light has a sleek design with precision injection molded optics. Six different optic plates and three mounting options provide versatility for use in many outdoor lighting applications.

**CONSTRUCTION:** The housing is constructed of low copper die-cast aluminum with a sleek contemporary design and low EPA. The housing is a unique thermal dissipating design with wide channels that allow for natural removal of dirt and debris. The six different precision designed, injection molded optic plates and three mounting options provide versatility for use in many outdoor lighting applications. The tempered glass lens is held in place with a low copper die cast aluminum lens frame and stainless steel hardware. The optics chamber is IP66 rated and uses an IP67 rated Anti-Wicking connector that is removable and flexible. The flood light is rotatable in 10 degree increments. 180 Degrees backward and 90 degrees forward.



**PHILIPS**



---

# FX1 LED FLOOD LIGHT

**MOUNTING:** The FX1 has three mounting options. Direct Yoke Mount, Tenon Mount, and Wall Mount. The direct yoke mount includes a 7/8" diameter center hole in the yoke, located under the driver box, for wiring and mounting to a 1/2-13 NPS x 1" long threaded nipple with locking nut (threaded nipple and locking nut not included). The tenon mount option includes a cast aluminum adaptor, cast from low-copper aluminum alloy for mounting to a 1.5" to 2.375" O.D. vertical tenon. The FX1 utilizes a single clamp mounting system made from HSLA structural steel that is zinc plated to protect against corrosion. The wall mount option is similar to the direct yoke mount with the addition of a secondary, laser-cut aluminum mounting plate. The secondary mounting plate includes (4) 1/2" diameter holes for mounting to a wall surface and will cover a standard 4" x 4" square electrical junction box. 5/16" hex head lag bolts or similar can be used to secure fixture to wall surface (mounting fasteners not included) Aluminum mounting plate and yoke include 7/8" diameter center cut hole, located under the driver box, for wiring. The FX1 is field rotatable by 10 degree increments (180 degrees backward and 90 degrees forward) on a yoke which is formed from a 1/4" thick, laser-cut aluminum sheet.

**LED SPECIFICATIONS:** Refer to IES files for energy consumption and delivered lumens for each option. Based on in-situ thermal testing and data from Philips Lumileds and Philips Advance, expected to reach 80,000 hours with >L70 lumen maintenance @ 25°C. The Philips LEDGINE uses Philips Lumileds LEDs. Color temperatures available are ANSI Bin 4000K CCT. Multiple distributions are available including Spot, Narrow, Medium, Wide, Horizontal and Forward Throw.

**ELECTRONIC DRIVER:** Multi Tap driver available - ships at 530mA. Integral Philips Lighting Electronics Advance XITANIUM LED drivers. Standard drivers provide universal voltage from 120-277VAC, 50-60Hz. All XITANIUM LED drivers are RoHS compliant. The LED drivers have <3kV surge suppression built in, 10kV is an additional option (see Ordering Guide). IP66 rated. Multiple drive currents are available see ordering guide for options.

**FINISH:** Thermoset polyester powdercoat is electrostatically applied after a five-stage conversion cleaning process and bonded by heat fusion thermosetting. Laboratory tested for superior weatherability and fade resistance in accordance with ASTM B117 specifications. Powdercoat is 3.0 - 6.0 mil thickness. Textured finish

**OPTIONS:** Optional integral surge suppression device tested in accordance with ANSI/IEEE C62.45 per ANSI/IEEE C62.41.2 Scenario I Category C High Exposure 10kV/10kA waveforms for Line-Ground, Line-Neutral and Neutral-Ground. Enclosure for surge suppression device is constructed of high temperature, flameproof material with an 85°C maximum surface temperature rating. The device consists of a thermally protected transient overvoltage circuit and is designed for use with universal voltage ballasts and drivers. Custom 0-10V dimming schedule (DZ) is available by contacting the factory. As an alternative, Wireless Controls options are also available - contact the factory for details.

**IP RATING:** The LED driver is IP66 rated. The LED optics chamber is IP66 rated.

**CERTIFICATIONS:** UL8750 and UL1598 compliant. ETL listed to U.S. safety standards for wet locations. cETL listed to Canadian safety standards for wet locations. Manufactured to ISO 9001:2008 Standards. Vibration tested to ANSI C136.31 for Bridge Applications. Luminaire photometric testing performed in accordance with IESNA LM-79 guidelines. Photometric .ies files that include "LM79" in the file name are verified by an independent NVLAP accredited lab. LEDs tested by an ISO 17025-2005 accredited lab in accordance with IESNA LM-80 guidelines in compliance with EPA ENERGY STAR, extrapolations in accordance with IESNA TM-21.

**WARRANTY:** 5 year extended warranty

**AWARDS & RECOGNITIONS:** Buy American and ARRA Compliant - commercially available off-the-shelf (COTS) product proudly designed and Made in the U.S.A.

**ACCESSORIES:** There are several accessories available. Twin, Triple and Quad Mount Bull Horns, Wall Mount and Stanchion Mount. Glare Shield and Vandal Sheild. See Attached spec sheets for details.

**Width:** 9.17"

**Height :** 22.59"

**Length:** 15.98"

**EPA:** 1.5 sq ft

**Max. Weight:** 23 lbs

**IESNA Classifications:** See IES Files

# FX1 LED FLOOD LIGHT

## Ordering guide

example: FX132TASNA3EDAS

Product Code	LED Board	Mounting	Finish	Distribution	Color Temp.	Voltage	Drive Current	Photo Control	Dimming Control	Surge Suppression
<b>FX1</b>	<b>32</b>	<b>T</b>	<b>A</b>	<b>S</b>	<b>N</b>	<b>A</b>	<b>3</b>	<b>E</b>	<b>DA</b>	<b>S</b>
	32 32 LEDs 48 48 LEDs 64 64 LEDs 80 80 LEDs		A Black B White H Bronze I Gray J Green		N 4000K		3 350 mA 5 530 mA 7 700 mA <sup>*5</sup>		DA 4 Hrs 25% Reduction <sup>*4</sup> DB 4 Hrs 50% Reduction <sup>*4</sup> DC 4 Hrs 75% Reduction <sup>*4</sup> DD 6 Hrs 25% Reduction <sup>*4</sup> DE 6 Hrs 50% Reduction <sup>*4</sup> DF 6 Hrs 75% Reduction <sup>*4</sup> DG 8 Hrs 25% Reduction <sup>*4</sup> DH 8 Hrs 50% Reduction <sup>*4</sup> DJ 8 Hrs 75% Reduction <sup>*4</sup> DZ Custom Dimming Schedule <sup>*4</sup> N None	
<b>FX1 LEDGINE</b> LED Flood Light		<b>T</b> Tenon Mount (1.5"-2.375" O.D.) <b>W</b> Wall Mount <b>Y</b> Yoke Mount		<b>S</b> Spot <b>N</b> Narrow <b>M</b> Medium <b>W</b> Wide <b>H</b> Horizontal <b>F</b> Forward Throw		<b>A</b> 120-277 VAC <b>B</b> 347-480 VAC <sup>*1</sup>		<b>E</b> 120 VAC Button Eye <sup>*3</sup> <b>H</b> 208/240/277 VAC Button Eye <sup>*3</sup> <b>K</b> 347V Button Eye <sup>*3</sup> <b>N</b> None		<b>S</b> Standard Built In <3kV <b>A</b> Additional 10kV/10kA <sup>*2</sup>

Note:

- \*1 - B Voltage not available with dimming or with the 32LED board
- \*2 - Surge Suppressor not available for wall or yoke mount
- \*3 - Button Eye not available for wall or yoke mount
- \*4 - If using dimming in conjunction with a motion sensor consult factory
- \*5 - 700mA drive current only available with 32LED option



© 2014 Koninklijke Philips N.V. All rights reserved.

Philips reserves the right to make changes in specifications and/or to discontinue any product at any time without notice or obligation and will not be liable for any consequences resulting from the use of this publication.

Gardco-FX1LEDSpec 07/14 page3of3 www.philips.com/luminaires

Philips Lighting  
North America Corporation  
200 Franklin Square Drive  
Somerset, NJ 08873  
Tel. 855-486-2216

Imported by: Philips Lighting,  
A division of Philips Electronics Ltd.  
281 Hillmount Rd,  
Markham, ON, Canada L6C 2S3  
Tel. 800-668-9008