

Minimalist scale, unequaled performance that delivers

CHOPSTICK SUSPENDED LED



SEMI-INDIRECT, MESOOPTICS LENS
4000K, 3400 LM/4FT

Project: _____

Spec Type: _____

Catalog No: 7505LAE_xN _____

Qty _____

Line Notes: _____



Ordering guide

Product Type	Source	Color *	Lumens *	Lower Optics	Upper Optics	Run Length	Wiring †	Voltage	Driver ‡	Color
<input type="text" value="7505"/>	<input type="text" value="L"/>	<input type="text" value="A"/>	<input type="text" value="E"/>	<input type="text" value="x"/>	<input type="text" value="N"/>	<input type="text"/>	<input type="text"/>	<input type="text"/>	<input type="text"/>	<input type="text"/>
Chopstick "Susp Semi-Indirect	L LED	A 4000K B 3500K C 3000K	C 4800 lm/4ft E 3400 lm/4ft	Q 4ft MesoOptics S 6ft MesoOptics	N None	04 4' 06 6' 08 8'	1 1 cct 3 1 cct w/ EM cct 7 1 cct w/ Dimming 8 1 cct w/ TV B 2 cct A/B	1 120V 2 277V 3 347V	E Standard	W White T Titanium Silver B Black C Custom Color

* Nominal values † Consult website for complete list of standard wiring options ‡ Driver details on following pages

Mounting Hardware

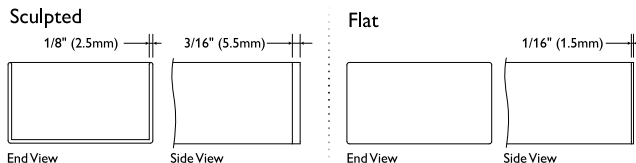
Mount Type
Consult separate mounting spec sheet for mount type options

Suspension Length
Distance from ceiling to top of luminaire in inches

Endcaps -

Integrated Controls Please indicate with check mark.

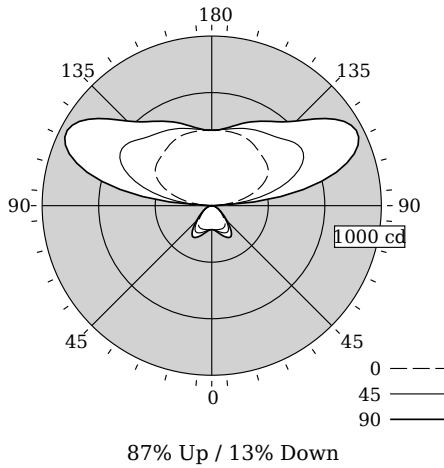
Response Daylight Single Zone (DS)



CHOPSTICK SUSPENDED LED

Semi-Indirect, MesoOptics Lens

Photometry



LED Lighting facts
A Program of the U.S. DOE

Light Output (Lumens) 3445
Watts 31.9
Lumens per Watt (Efficacy) 108

Color Accuracy
Color Rendering Index (CRI) **82**

Light Color
Correlated Color Temperature (CCT) **3916 (Bright White)**

Warm White Bright White Daylight
2700K 3000K 4500K 6500K

Warranty** Yes

All results, except LED Lumen Maintenance, are according to IESNA LM-79-2008 Approved Method for the Electrical and Photometric Testing of Solid-State Lighting. The U.S. Department of Energy (DOE) verifies product test data and results.

** See www.lightingfacts.com/products for details.

Registration Number: F46Z-C1U2UD (4/9/2014)
Model Number: 7505LAExx04
Type: Luminaire - Linear

Total Output	3445 lm
Efficacy	108.0 lm/W
CCT	3916K
CRI	82
R9	10
Distribution	87% Up / 13% Down
Peak/Zenith Ratio	2.16
Peak Output	961 cd @ 118°
Meets RP-1-04 recommendations for VDT-Intensive spaces	

Values per 4ft unit

Fixture photometry has been conducted by an NVLAP accredited testing laboratory in accordance with IESNA LM-79:2008

Lumen maintenance of the LEDs has been tested by the manufacturer in accordance with IESNA LM-80:2008

IES files for this and other photometric options can be downloaded online at www.lightingproducts.philips.com

Candela Distribution

Vertical Angle	Horizontal Angle					Zonal Lumens
	0	22.5	45	67.5	90	
0	141	141	141	141	141	0
5	143	141	143	144	144	14
15	146	148	158	167	169	45
25	149	156	177	198	205	82
35	137	147	172	195	203	105
45	99	103	115	125	129	88
55	62	63	68	71	71	61
65	37	38	40	40	40	39
75	16	18	18	18	19	19
85	3	4	5	5	6	6
90	0	0	0	0	0	0
95	70	85	131	211	251	160
105	230	278	417	643	761	477
115	348	415	589	830	956	609
125	402	468	622	799	888	565
135	417	462	564	663	706	438
145	436	462	528	585	607	330
155	449	463	500	533	545	231
165	449	454	470	482	486	133
175	446	444	448	449	448	43
180	445	445	445	445	445	0

Coefficients of Utilization (%)

RCR	Ceiling: Wall:											
	70	50	30	10	70	50	30	10	50	30	10	0
0	98	98	98	98	86	86	86	86	63	63	63	13
1	90	86	82	79	78	75	72	55	53	52	11	
2	82	75	69	64	71	66	61	48	45	43	10	
3	75	66	59	54	65	58	52	43	39	36	8	
4	68	58	51	45	59	51	45	38	34	31	7	
5	62	52	44	38	54	45	39	34	29	26	6	
6	57	46	38	33	50	41	34	30	26	23	6	
7	53	41	34	29	46	36	30	27	23	20	5	
8	49	37	30	25	42	33	27	25	20	17	4	
9	45	34	27	22	39	30	24	22	18	15	4	
10	42	31	24	19	37	27	21	20	16	14	4	

Avg. Luminance (cd/m²)

Vertical Angle	Horizontal Angle		
	0	45	90
55	3174	3481	3635
65	2571	2779	2779
75	1815	2042	2156
85	1011	1684	2021

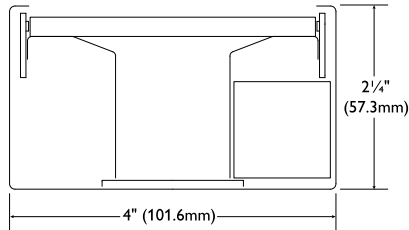
Electrical Specifications

Input Voltage	120V	277V
Input Power	31.9W	31.8W
Input Current	0.27A	0.129A
Power Factor	0.985	
Total Harm. Distortion	15.7%	
Tested values – contact technical support for rated values. Off-state power zero unless certain controls are specified.		

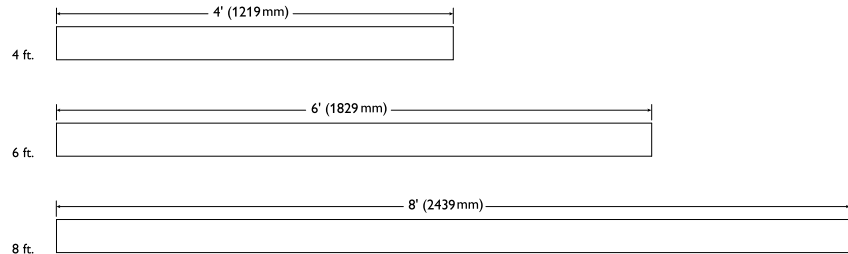
CHOPSTICK SUSPENDED LED

Semi-Indirect, MesoOptics Lens

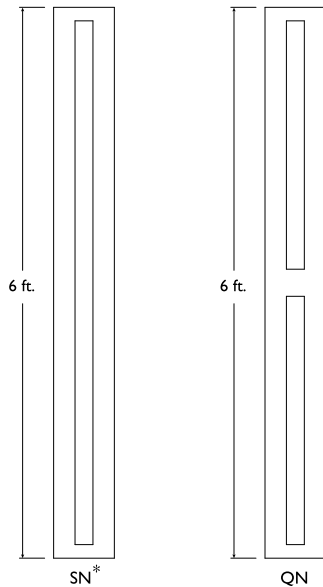
Options and Details



Modules



Optics & Styles



*SN optic is only available in 6ft modules

Housing

Precision formed 20 gauge cold-rolled steel.

Weight

Maximum 3.0lb/ft.

Optical System

A low-profile light guide panel is edge lit by an LED array. The light guide couples and transmits the light via total internal reflection, then the etched surface of the panel optimizes the light extraction to create a semi-indirect (suspended) or direct/indirect (wall) distribution. Light is purified and controlled by MesoOptics film as it passes through the nonglare acrylic lens.

Standard Driver

Dimming: 0-10V, 5-100%. Output is Class 2 rated.

Lumen Maintenance

At an ambient temperature of 25°C, the LED lumen maintenance expectation is L_{80} (12k) 70,000 hrs.

Mounting

Suspended: tamper-resistant aircraft cable grippers provide infinite vertical adjustment capability. Aircraft cable, crimp and cable gripper are independently tested to meet stringent safety requirements. **Wall:** Steel mounting brackets provided, spaced 4ft on center, fixture held 3/4" from wall.

Joints

Self-aligning joining system with hands-free pre-joining wire access.

Endcaps

Diecast aluminum endcaps, available in flat (standard) or edge sculpted.

Electrical

Factory pre-wired to section ends with quick-wire connectors.

Approvals

Certified to UL, CSA and IES standards.

Finish

High quality powder coated, available in matte white, black or titanium silver. Other factory and custom colors available on request.

Environment

Rated for dry or damp locations in operating ambient temperatures 0-40°C (32-104°F).

Due to continuing product improvements, Philips Ledalite reserves the right to change the specifications without notice.



©2014 Koninklijke Philips N.V. All rights reserved.
Specifications are subject to change without notice.
www.philips.com/luminaires

7505LAEExN.pdf 05.14 page 3 of 3

Philips Lighting
North America Corporation
200 Franklin Square Drive
Somerset, NJ 08873
Phone: 855-486-2216

Philips Lighting Company
281 Hillmount Road
Markham ON, Canada L6C 2S3
Phone: 800-668-9008