

2 Lamp
T5, T5HO, or T8

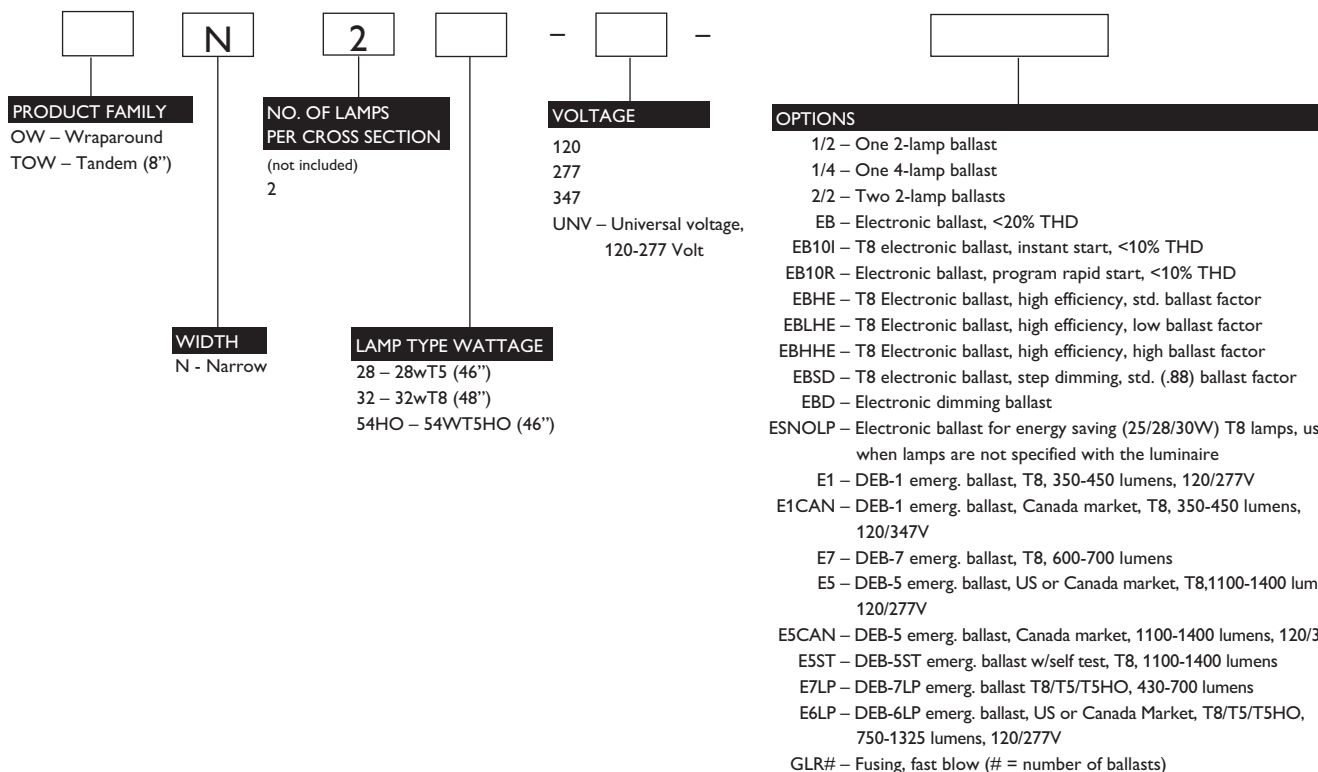
CONSTRUCTION/FINISH

- Pattern 12 bottom prisms with interior linear side wall prisms for maximum cleanliness and light control.
- Tapered shape provides a modern appearance.
- Full steel end plates feature embosses for improved aesthetics.
- 100% virgin acrylic lens hinges from either side for easy maintenance.
- Housing is multi-stage phosphate treated for maximum corrosion resistance and finish coat is high reflectance baked white enamel.
- Multiple knockouts accommodate a variety of mounting methods.
- Heavy duty channel of code gauge die formed steel.
- For surface or stem mounting.

ELECTRICAL

- cULus listed for direct mounting on low density ceilings and damp locations.
- Self-contained fluorescent emergency power packs can be incorporated, listed for dry locations.
- Lampholders may be individually replaced or rewired.

CATALOG NUMBER

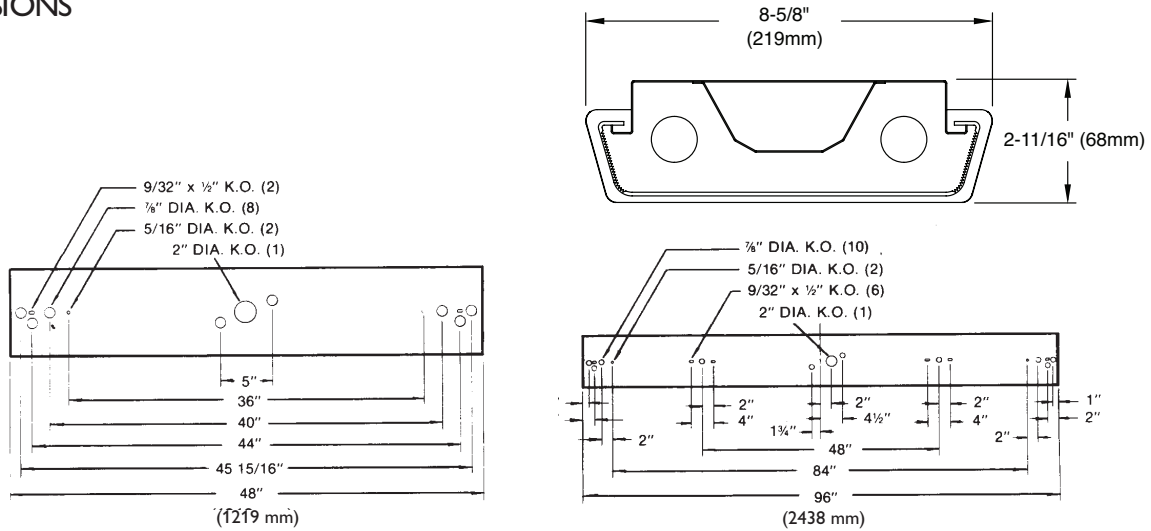


See Section 1600-OA for Option Information.
See Page 950-SS for Mounting Hardware.

JOB INFORMATION



DIMENSIONS



PHOTOMETRIC DATA

CATALOG # OWN 232-1/2-EB
TEST # ITL41979 S/MH=1.4

LAMPS = F32 T8
BALLAST = ELECTRONIC BALLAST FACTOR = .92

INPUT WATTS = 59

LER = 66
TER = 56

COMPARATIVE YEARLY LIGHTING ENERGY COST PER 1000 LUMENS = \$3.64 BASED ON 3000 HRS. AND \$.08 PER KWH.

FIXTURE EFFICIENCY = 72.8%

CANDLEPOWER			
Angle	End	45	Cross
0	1315	1315	1315
5	1317	1315	1310
15	1275	1291	1302
25	1180	1233	1269
35	1042	1138	1168
45	855	962	999
55	541	617	595
65	252	299	385
75	112	173	278
85	36	118	269
95	0	126	265
105	1	157	244
115	4	123	182
125	7	71	112
135	10	36	53
145	9	31	41
155	8	22	32
165	7	12	20
175	7	7	8

MAINTAINED ILLUMINATION TABLE- Square Feet/ Fixture*

- 80-50-20 Reflectances (Ceiling-Wall-Floor)
- LLF = 0.76 2900 Lumens/Lamp very clean
- Room width divided by room height = 5 or more, 2 or 1

Fixture Size & # of Lamps	Room Width Room Height =	Approx. Area (sq. ft.) per Fixture				
		10 ft-c	30 ft-c	50 ft-c	70 ft-c	100 ft-c
4'	5	-	108	65	46	32
2- Lamp	2	-	75	45	32	-
	1	-	55	33	-	-

*Observe Fixture S/MH Requirements for Specific Applications

AVERAGE LUMINANCE CD/SQ.M WITH 2900 LUMEN LAMPS			
ANGLE	END	45°	CROSS
45	4841	4948	4708
55	3776	3765	3225
65	2387	2329	2547
75	1733	1945	2454
85	1654	2519	3741

TYPICAL V.C.P.'s			
Room Size	Mounting Height		
	Lengthwise	Crosswise	
	8.5	10	8.5 10
30x30	60	63	53 58
40x40	57	59	48 52
60x30	61	64	57 62
60x60	54	56	41 46
100x100	52	53	35 39

COEFFICIENT OF UTILIZATION									
pfc pcc pw RCR	20			70			50		
	70	50	30	70	50	30	50	30	50
0	84	84	84	81	81	81	76	76	76
1	77	73	69	73	70	68	66	64	64
2	69	65	59	68	61	57	57	55	55
3	64	56	51	61	55	50	52	46	46
4	58	51	44	56	48	42	46	40	40
5	54	45	39	52	44	38	41	35	35
6	50	40	34	47	40	34	38	32	32
7	46	36	30	45	35	29	34	28	28
8	42	34	28	41	33	27	30	26	26
9	40	30	25	39	29	25	28	23	23
10	38	28	23	36	28	23	27	22	22

LIGHT DISTRIBUTION			
DEGREES	LUMENS	% LAMP	% FIXTURE
0-30	1057	18.2	25.0
0-40	1761	30.4	41.7
0-60	3035	52.3	71.9
0-90	3711	64.0	87.9
90-180	511	8.8	12.1
0-180	4222	72.8	100.0

LLF = .76 LLF = LIGHT LOSS FACTOR LLF = LDD X LLD X BF LDD = VERY CLEAN 0.94 CLEAN 0.90
LLD = 0.88 @ 40% RATED LAMP LIFE BF = 0.92 ELECTRONIC BALLAST & T8 LAMP (RELAMP AT 70% LAMP LIFE)



Some luminaires use fluorescent or high intensity discharge (HID) lamps that contain small amounts of mercury. Such lamps are labeled, "Contain Mercury" and/or the symbol "HG". Lamps that contain mercury must be disposed of in accordance with local requirements. Information regarding lamp recycling and disposal can be found at www.lamprecycle.org



© 2014 Koninklijke Philips N.V. All rights reserved.
Specifications are subject to change without notice.
www.philips.com/luminaires

Philips Lighting
North America Corporation
200 Franklin Square Drive
Somerset, NJ 08873
Phone: 855-486-2216

Philips Lighting Company
281 Hillmount Road
Markham ON, Canada L6C 2S3
Phone: 800-668-9008