

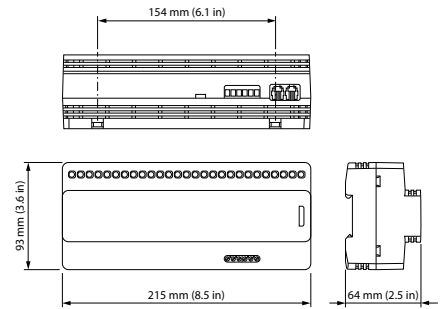


# DDRC1220FR-GL Relay Controller

## Robust control of switched loads

The Philips Dynalite DDRC1220FR-GL provides control of any type of switched load. All types of switched loads up to 20 A inductive are supported. The maximum load may be limited by 500 A inrush rating.

- Feed-through power circuit design — Electrically equivalent to a 12 pole contactor, with the added advantage of each pole being separately controllable via the DyNet network.
- Flexible mounting solution — A DIN-rail mountable device, designed to be installed into the distribution board supplying power to the controlled circuit.
- Inbuilt diagnostic functionality — Features circuit run time tracking on each channel and Device Online/Offline status indication.
- Multiple wiring schemes supported — Controls Single Phase and Neutral or Three Phase and Neutral (Star) wiring configurations.
- Hardware override — Service override switch accessible from front panel.



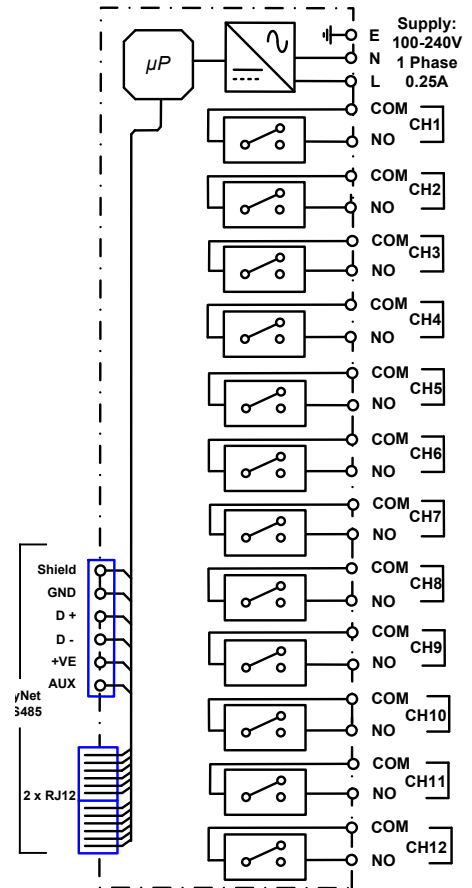
For detailed product information, please refer to the product information pages at [www.philips.com/dynalite](http://www.philips.com/dynalite) and follow the links.

## Specifications

Due to continuous improvements and innovations, specifications may change without notice.

Item	Specification	Details
Electrical	Input Voltage	100 - 240 VAC 50 / 60 Hz Single Phase @ 0.25 A
	DyNet DC Supply	12 V @120 mA (supply for approx 6 user interfaces)
	Outputs	12 x switched feed-through outputs @ 20 A (inductive) Maximum device load 180 A
	Supported wiring schemes	Single Phase and Neutral Three Phase and Neutral (Star) Maximum device load 180 A
	Relays	Rated switch current: 50 A resistive 20A lighting load Rated inrush current: 500 A
Control	Control Inputs/Outputs	One DMX512 / RS-485 DyNet serial port One programmable dry contact AUX input
	User Controls	Service override switch for each channel Diagnostic LED
	Internal Controls	Programmable Logic Controller
	Preset Scenes	170
	Diagnostic Functions	Device online/offline status Circuit run time tracking Network Watchdog
Physical	Supply Terminals	Line, Neutral, Earth 1 x 4 mm <sup>2</sup> maximum conductor size
	Output Terminals	Line In, Line Out for each channel 1 x 4 mm <sup>2</sup> maximum conductor size
	Dimensions (H x W x D)	93 mm x 215 mm x 64 mm (3.6" x 8.5" x 2.5")
	Packed Weight	1.1 kg
	Construction	Polycarbonate DIN-rail enclosure (12 unit)
	Operating Conditions	Temperature: 0 to 50° C ambient Humidity: 0 to 95% non-condensing
	Storage & Transport	Temperature: -25 to 60° C ambient Humidity: 0 to 90% non-condensing
Certification	Certification	CE, C-Tick
Options & Ordering	Standard Product	DDRC1220FR-GL (Philips 12NC 913703052309)

## Electrical Diagram



Philips Dyalite  
6 / 691 Gardeners Road  
Mascot, NSW 2020  
Australia  
Tel: +61 2 8338 9899  
Email: dyalite.info@philips.com  
Web: www.philips.com/dyalite

Specifications subject to change without notice. ©WMGD Pty Ltd Trading as Dyalite. Unit 6, 691 Gardeners Road Mascot 2020 Australia. ABN 33 097 246 921. All rights reserved. Dyalite, DyNet and associated logos are the registered trademarks of WMGD Pty Ltd. Not to be reproduced without permission.