

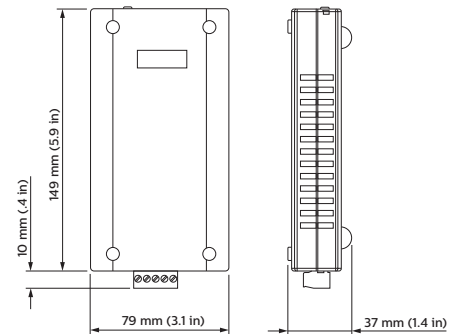


## DIR-TX8 Infrared Transmitter

Cost-effective integration and control

The Philips Dynalite DIR-TX8 is designed to provide cost-effective integration and control of all types of infrared controllable devices, such as AV equipment.

- Easy set-up — User-friendly PC software is used to program the DIR-TX8 with common IR codes from the supplied library.
- Macro functionality — Multiple IR codes can be arranged into macros and played back at any time with a single DyNet command.
- Intelligent operation — The device includes an internal Programmable Logic Controller and supports all Philips Dynalite script commands.



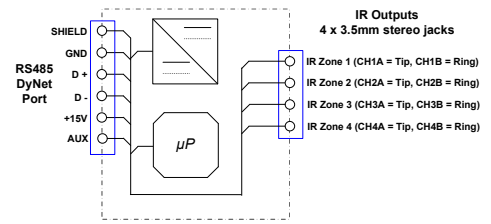
For detailed product information, please refer to the product information pages at [www.philips.com/dynalite](http://www.philips.com/dynalite) and follow the links.

## Specifications

Due to continuous improvements and innovations, specifications may change without notice.

Item	Specification	Details
Electrical	Input Voltage	12VDC @ 50 mA supplied by the DyNet network
Control	IR Transmit Outputs	8 x independent, individually controllable outputs Connector type is 4 x 3.5 mm stereo jacks which accept stereo and mono plugs
	Control Inputs	One RS-485 DyNet serial port One AUX programmable dry contact input
	Internal Controls	Programmable Logic Controller
	User Controls	Service Switch Diagnostic LED
Physical	Dimensions (H x W x D)	37 mm x 79 mm x 149 mm (1.4" x 3.1" x 5.9")
	Packed Weight	0.15 kg
	Construction	ABS housing
	Operating Conditions	Temperature: 0 to 50° C ambient Humidity: 0 to 95% non-condensing
	Storage & Transport	Temperature: -25 to 60° C ambient Humidity: 0 to 90% non-condensing
Certification	Certification	CE, C-Tick
Options & Ordering	Standard Product	DIR-TX8 (Philips 12NC - 913703080009)
	Optional Emitter	DIR-TX-EM2 (Philips 12NC - 913703080109) - includes 2 separately controllable IR Emitter LEDs, 2 meter lead length, terminates in 3.5 mm stereo plug, adhesive mounting pads supplied

## Electrical Diagram



Philips Dyalite  
6 / 691 Gardeners Road  
Mascot, NSW 2020  
Australia  
Tel: +61 2 8338 9899  
Email: [dyalite.info@philips.com](mailto:dyalite.info@philips.com)  
Web: [www.philips.com/dyalite](http://www.philips.com/dyalite)

Specifications subject to change without notice. ©WMGD Pty Ltd Trading as Dyalite. Unit 6, 691 Gardeners Road Mascot 2020 Australia. ABN 33 097 246 921. All rights reserved. Dyalite, DyNet and associated logos are the registered trademarks of WMGD Pty Ltd. Not to be reproduced without permission.