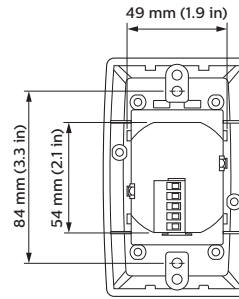




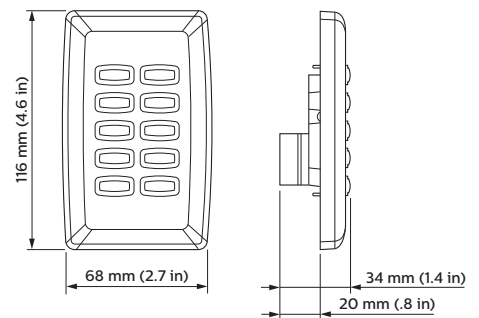
DLPA Standard Series User Interfaces

Blending aesthetics and function

Anything but standard, the DLPA range is beautifully formed and highly functional. Built with the full Philips Dynalite feature set, these simple yet elegant interfaces bring the full power of the automated system to a touch of a button. The DLPA range is suitable for, but not limited to, North American, South American, Australian and New Zealand markets.



- Aesthetically pleasing — Provides an elegant point for integrated automation in commercial buildings and homes.
- Available in two configurations — Single column, for up to five buttons and a dual column design for up to ten buttons, where more complex control is required.
- Incorporates a miniature DyNet control network socket — Discreetly located under the snap-on cover, the network socket enables system adjustments and programming from any user interface on the network.
- Smooth action buttons with LED indicators — Provide tactile and visual feedback and are easily removed for engraving.
- Décor matching capability — Available in a range of fascia, bezel and button cap colors and finishes.



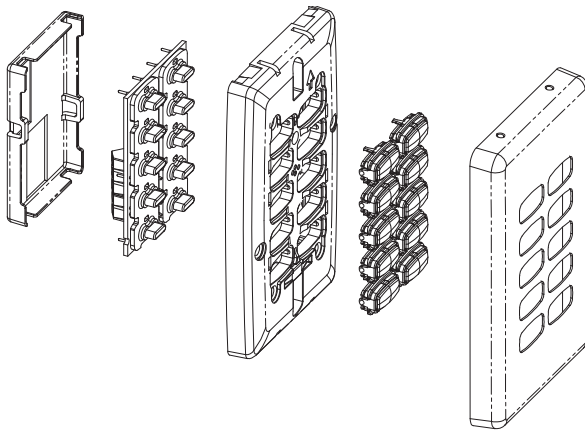
For detailed product information, please refer to the product information pages at www.philips.com/lightingcontrolsna.

Specifications

Due to continuous improvements and innovations, specifications may change without notice.

Item	Specification	Details
Electrical	DyNet DC Supply	24V @20 mA / 12V @20-35 mA from the DyNet network
	Control Inputs	One RS-485 DyNet serial port 5-way removable screw terminals, 1 x 14 AWG or 2 x 18 AWG max. conductor size
Physical	Dimensions (H x W x D)	4.6" x 2.7" x 1.4" (116 mm x 68 mm x 34 mm)
	Packed Weight	0.5 lbs (0.2 kgs)
	Construction	Bezel, Key Carrier and Gridplate: Polycarbonate Cover: Various - contact your Philips representative for information
	Operating Conditions	Temperature: 32 to 122° F (-0 to 50° C) ambient Humidity: 10 to 95% non-condensing
	Storage & Transport	Temperature: -13 to 140° F (-25 to 60° C) ambient Humidity: 0 to 90% non-condensing
Certification	Compliance	FCC, RoHS Compliant
Options & Ordering	CAT5/CAT6 Wiring Adapter	DRJ45ADAPT

Exploded Diagram



Ordering - Standard User Interfaces

Listed below are order codes for standard UI configurations. All are supplied with blue LED indicators, blank white buttons, white covers and button bezels.

Grid Plate	Order Code	Qty
1 button	DLPA910	
2 button	DLPA920	
5 button	DLPA950	
6 button	DLPA960	
7 button	DLPA970	
10 button	DLPA9100	

Ordering - Covers & Button Caps

Grid Plate	Order Code	Qty
1 button cover	DLPA-FC-01-WE	
2 button cover	DLPA-FC-02-WE	
5 button cover	DLPA-FC-05-WE	
6 button cover	DLPA-FC-06-WE	
7 button cover	DLPA-FC-07-WE	
10 button cover	DLPA-FC-10-WE	
Cap - White	DLP-CAP-WE	
Bezel - White	DLP-BZ-WE	

Custom Button Caps

The button shape offers a generous area for text or symbols, ensuring that the function of the button is clearly discernible from normal viewing distances. Over 19 standard button caps are available ex-stock. Contact your local Philips representative for details on custom engraving.

Ordering - Standard Button Engraving Options

Engraving Detail	Order Code	Engraving Detail	Order Code	Engraving Detail	Order Code	Engraving Detail	Order Code
1	DLP-CAP-WE-1	6	DLP-CAP-WE-6	▲	DLP-CAP-WE-UP	ON/OFF	DLP-CAP-WE-ON/OFF
2	DLP-CAP-WE-2	7	DLP-CAP-WE-7	▼	DLP-CAP-WE-DOWN	HIGH	DLP-CAP-WE-HIGH
3	DLP-CAP-WE-3	8	DLP-CAP-WE-8	PROGRAM	DLP-CAP-WE-PROGRAM	MED	DLP-CAP-WE-MED
4	DLP-CAP-WE-4	9	DLP-CAP-WE-9	ON	DLP-CAP-WE-ON	LOW	DLP-CAP-WE-LOW
5	DLP-CAP-WE-5	10	DLP-CAP-WE-10	OFF	DLP-CAP-WE-OFF		

Standard Layouts



Philips Lighting North America
200 Franklin Square Dr
Somerset, NJ, United States
Tel: 1-800-526-2731
Email: controls.support@philips.com
Web: www.philips.com/lightingcontrolsna

Philips Lighting Canada
281 Hillmount Road
Markham, Ontario L6C 2S3
Canada

Specifications subject to change without notice. ©WMDG Pty Ltd Trading as Dynalite. Unit 6, 691 Gardeners Road Mascot 2020 Australia. ABN 33 097 246 921. All rights reserved. Dynalite, DyNet and associated logos are the registered trademarks of WMDG Pty Ltd. Not to be reproduced without permission.