

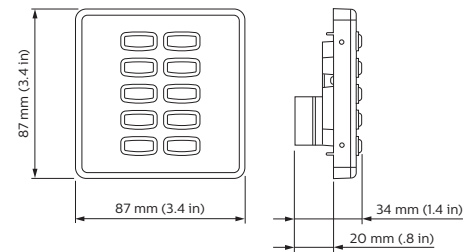
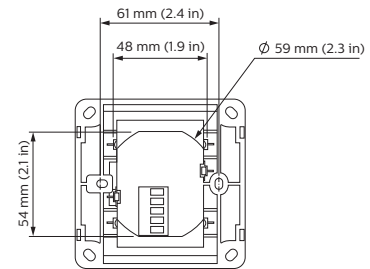


## DLPE Standard Series User Interfaces

### Blending aesthetics and function

Anything but standard, the DLPE range is beautifully formed and highly functional. Built with the full Philips Dynalite feature set, these simple yet elegant panels bring the full power of the automation system to the touch of a button. The DLPE range is suitable for, but not limited to, European, Middle Eastern, African and Asian markets.

- Aesthetically pleasing — Provides an elegant point for integrated automation in commercial buildings and homes.
- Available in two configurations — Single column, for up to five buttons and a dual column design for up to ten buttons, where more complex control is required.
- Incorporates a miniature DyNet control network socket — Discreetly located under the snap-on cover, the network socket enables system adjustments and programming from any user interface on the network.
- Smooth action buttons with blue LED indicators — Provide tactile and visual feedback and are easily removed for engraving.
- Integrated Infrared (IR) receive capability — Eliminates the need for separate sensors where IR remotes are required.
- Décor matching capability — Available in a range of fascia, bezel and button cap colors and finishes.



For detailed product information, please refer to the product information pages at [www.philips.com/dynalite](http://www.philips.com/dynalite) and follow the links.

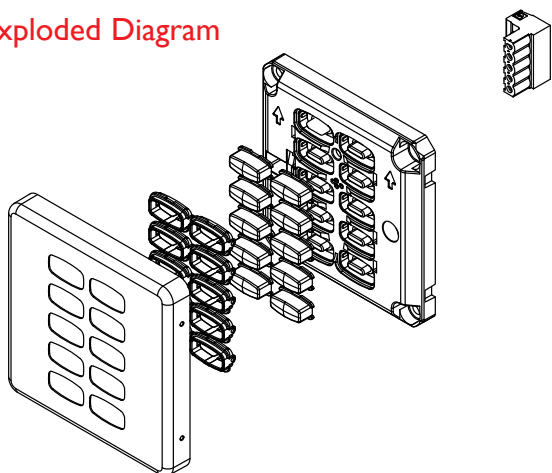
## Specifications

Due to continuous improvements and innovations, specifications may change without notice.

Item	Specification	Details
Electrical	DyNet DC Supply	12 VDC @ 20 - 35 mA from the DyNet network
	Control Inputs	One RS-485 DyNet serial port
Physical	Dimensions (H x W x D)	87 mm x 87 mm x 34 mm (3.4" x 3.4" x 1.4")
	Packed Weight	0.15 kg
	Construction	Grid plate & rear cover: ABS Metallic cover: Anodized aluminum or stainless steel Switch membrane: Silicone
	Operating Conditions	Temperature: -0 to 50° C ambient Humidity: 10 to 95% non-condensing
	Storage & Transport	Temperature: -25 to 60° C ambient Humidity: 0 to 90% non-condensing
Certification	Certification	CE, C-Tick
Options & Ordering		Contact your local Philips representative for ordering information.



## Exploded Diagram



## Ordering - Standard User Interfaces

Listed below are order codes for standard UI configurations. All are supplied with blue LED indicators, blank white buttons, white covers and button bezels.

Grid Plate	Order Code
1 button	DLPE910
2 button	DLPE920
5 button	DLPE950
6 button	DLPE960
7 button	DLPE970
10 button	DLPE9100

## Ordering - Covers & Button Caps

Grid Plate	Order Code
1 button cover	DLPE-FC-01-SS
2 button cover	DLPE-FC-02-SS
5 button cover	DLPE-FC-05-SS
6 button cover	DLPE-FC-06-SS
7 button cover	DLPE-FC-07-SS
10 button cover	DLPE-FC-10-SS
Cap - Charcoal	DLP-CAP-CH
Bezel - Charcoal	DLP-BZ-CH

## Custom Button Caps

The button shape offers a generous area for text or symbols, ensuring that the function of the button is clearly discernible from normal viewing distances. Over 19 standard button caps are available ex-stock. Contact your local Philips representative for details on custom engraving.

## Ordering - Standard Button Engraving Options

Engraving Detail	Order Code	Engraving Detail	Order Code	Engraving Detail	Order Code	Engraving Detail	Order Code
1	DLP-CAP-CH-1	6	DLP-CAP-CH-6	▲	DLP-CAP-CH-UP	ON/OFF	DLP-CAP-CH-ON/OFF
2	DLP-CAP-CH-2	7	DLP-CAP-CH-7	▼	DLP-CAP-CH-DOWN	HIGH	DLP-CAP-CH-HIGH
3	DLP-CAP-CH-3	8	DLP-CAP-CH-8	PROGRAM	DLP-CAP-CH-PROGRAM	MED	DLP-CAP-CH-MED
4	DLP-CAP-CH-4	9	DLP-CAP-CH-9	ON	DLP-CAP-CH-ON	LOW	DLP-CAP-CH-LOW
5	DLP-CAP-CH-5	10	DLP-CAP-CH-10	OFF	DLP-CAP-CH-OFF		

## Standard Layouts



Philips Dynalite  
6 / 691 Gardeners Road  
Mascot, NSW 2020  
Australia

Tel: +61 2 8338 9899

Email: [dynalite.info@philips.com](mailto:dynalite.info@philips.com)

Web: [www.philips.com/dynalite](http://www.philips.com/dynalite)

Specifications subject to change without notice. ©WMGD Pty Ltd Trading as Dynalite. Unit 6, 691 Gardeners Road Mascot 2020 Australia. ABN 33 097 246 921. All rights reserved. Dynalite, DyNet and associated logos are the registered trademarks of WMGD Pty Ltd. Not to be reproduced without permission.