

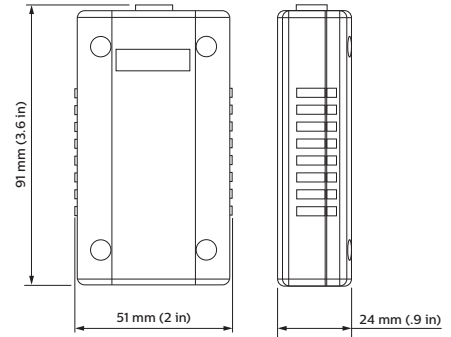


DMNG-USB-NA Network Gateway

DyNet network access device

The DMNG-USB-NA is a network gateway that provides access to a DyNet lighting control system via a PC.

- The DMNG-USB-NA provides a useful interface between any PC and the Philips system — Complete access to all network messages present on DyNet. To be used in conjunction with any of the Philips software, this tool can be used to commission, diagnose/repair with EnvisionProject or used as a permanent gateway to the system for EnvisionManager head-end software.
- Powered by the DyNet network — No additional power supply requirement.



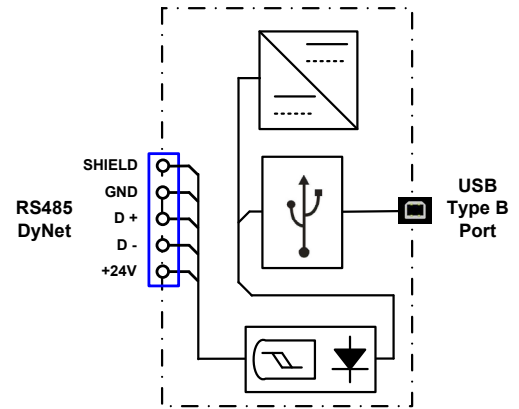
For detailed product information, please refer to the product information pages at www.philips.com/lightingcontrolsna.

Specifications

Due to continuous improvements and innovations, specifications may change without notice.

Item	Specification	Details
Electrical	DyNet DC Supply	20 mA max. @ 24VDC
Control	Control IO	One RS-485 DyNet Port One USB Serial Port
	User Controls	USB status LED RS-485 status LED
Physical	RS-485 Port Connections	SHIELD, GND, D+, D-, +24V 1 x 14 AWG or 2 x 18 AWG max conductor size.
	USB Connections	One USB type B connector Supplied with 3.3' long USB cable
	Dimensions (H x W x D)	0.9" x 2.0" x 3.6" (24 mm x 51 mm x 91 mm)
	Packed Weight	0.3 lb (0.94 kg)
	Construction	ABS enclosure
	Operating Conditions	Temperature: 32 to 104° F (0 to 40° C) ambient Humidity: 0 to 95% non-condensing
	Storage & Transport	Temperature: -13 to 140° F (-25 to 60° C) ambient Humidity: 0 to 90% non-condensing
Certification	Certification	FCC, ICES, RoHS Compliant
Options & Ordering	Standard Product	DMNG-USB-NA (Philips I2NC - 913703580009)

Electrical Diagram



Philips Lighting North America
200 Franklin Square Dr
Somerset, NJ, United States
Tel: 1-800-526-2731
Email: controls.support@philips.com
Web: www.philips.com/lightingcontrolsna

Philips Lighting Canada
281 Hillmount Road
Markham, Ontario L6C 2S3
Canada

Specifications subject to change without notice. ©WMGD Pty Ltd Trading as Dynalite. Unit 6, 691 Gardeners Road Mascot 2020 Australia. ABN 33 097 246 921. All rights reserved. Dynalite, DyNet and associated logos are the registered trademarks of WMGD Pty Ltd. Not to be reproduced without permission.