

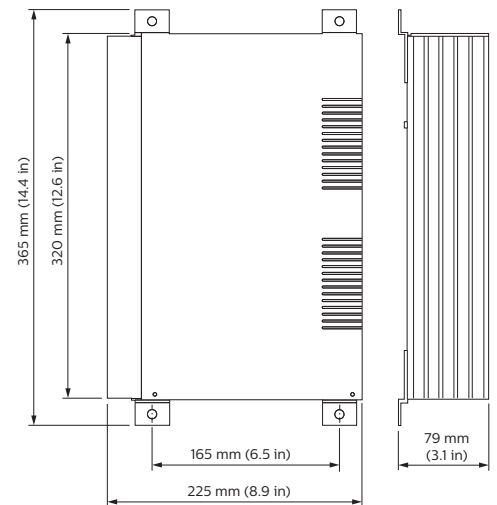


DNG485 RS-485 / DMX512 Gateway

Flexible network communications bridge

The Philips Dynalite DNG485 is a flexible network communications bridge designed for RS-485 networks. The two opto-isolated RS-485 ports enable the DNG485 to implement a trunk and spur topology on large project sites, with the bridge providing a high-speed backbone opto-coupled to many lower speed spurs.

- Electrical fault isolation — Faults can be isolated to individual network spurs.
- Increased network security — Definition of packet filtering rules for each direction provides augmented security and robustness.
- Route DyNet to third-party systems — Such as audio-visual and building automation systems, providing an integrated approach to total building control and energy management.
- DMX512 mode — Transmit or receive up to 64 channels of DMX512, with automatic DyNet conversion and task triggering.
- Internal controls — Including programmable logic controller capable of comprehensive conditional and sequential logic and arithmetic function processing, packet filtering and DyNet to DyNet II translation.



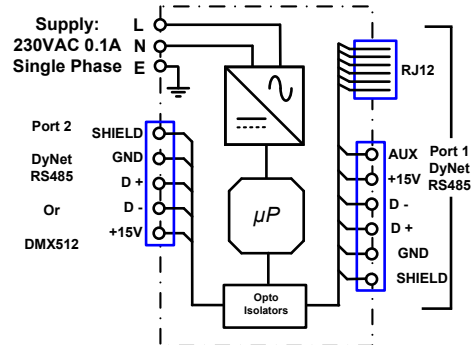
For detailed product information, please refer to the product information pages at www.philips.com/dynalite and follow the links.

Specifications

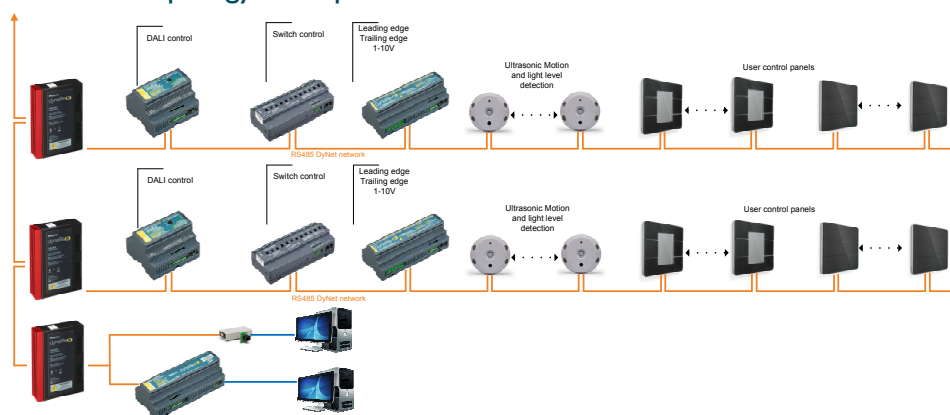
Due to continuous improvements and innovations, specifications may change without notice.

Item	Specification	Details
Electrical	Input Voltage	230 VAC ±14% 50 / 60 Hz Single Phase @ 0.25 A
	DyNet DC Supply	Serial Port 1: 12 V @ 450 mA (supply for approx 20 user interfaces) Serial Port 2: 12 V @ 180 mA (supply for approx 9 user interfaces)
Control	Control Ports	Two RS-485 DyNet serial ports
	Serial Port Isolation	3.75 KV RMS optical isolation between ports
	User Controls	Service switch Diagnostic LED
	Internal Controls	Programmable Logic Controller Packet filtering DyNet to DyNet II translation
	DMX512 Support	DMX512 Receive: 64 channels DMX512 Transmit: 64 channels
	Diagnostic Functions	Device Online/Offline status
Physical	Supply Terminals	Line, Neutral 1 x 4 mm ² max conductor size Earth link bar provided
	Serial Port Terminals	Serial Port 1: SHLD, GND, D+, D-, +12 V 1 x 2.5 mm ² max conductor size Serial Port 2: SHLD, GND, D+, D-, +12 V 1 x 2.5 mm ² max conductor size 1 x RJ12 socket for plug in connection
	Dimensions (H x W x D)	320 mm x 225 mm x 79 mm (12.6" x 8.9" x 3.1")
	Packed Weight	3.1 kg
	Construction	Alloy / Steel wall mount case with epoxy finish
	Operating Conditions	Temperature: 0 to 50° C ambient Humidity: 0 to 95% non-condensing
	Storage & Transport	Temperature: -25 to 60° C ambient Humidity: 0 to 90% non-condensing
Certification	Certification	CE, C-Tick
Options & Ordering	Standard Product	DNG485 (Philips 12NC - 913703082209)

Electrical Diagram



Network Topology Example



Philips Dyalite
6 / 691 Gardeners Road
Mascot, NSW 2020
Australia
Tel: +61 2 8338 9899
Email: dyalite.info@philips.com
Web: www.philips.com/dyalite

Specifications subject to change without notice. ©WMGD Pty Ltd Trading as Dyalite. Unit 6, 691 Gardeners Road Mascot 2020 Australia. ABN 33 097 246 921. All rights reserved. Dyalite, DyNet and associated logos are the registered trademarks of WMGD Pty Ltd. Not to be reproduced without permission.