

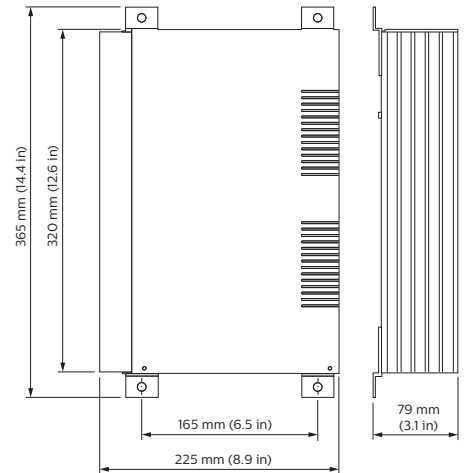


DRC810DT Relay Controller

Switched control for applications requiring input connection

The Philips Dynalite DRC810DT relay controller is designed for operation of general purpose switched loads in applications where facilities for input connection are also required.

- 8 voltage free changeover SPDT output relays — Perfect for controlling bi-directional motors, such as curtain or blind motors.
- Interface to other devices — Incorporates multipurpose programmable dry contact and analog inputs for interfacing to other devices.
- Inbuilt diagnostic functionality — Features Device Online/Offline status indication.
- Internal controls — Programmable logic controller capable of comprehensive conditional and sequential logic and arithmetic function processing.



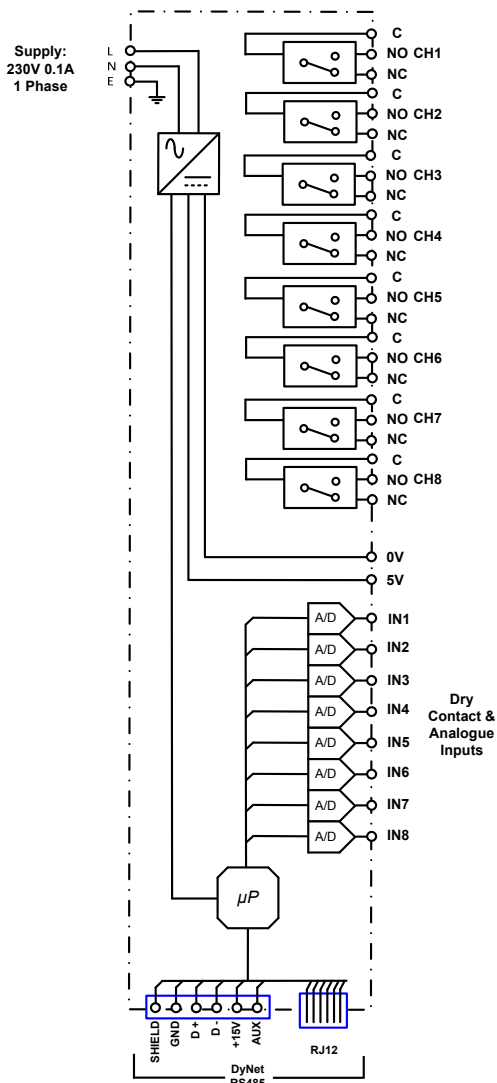
For detailed product information, please refer to the product information pages at www.philips.com/dynalite and follow the links.

Specifications

Due to continuous improvements and innovations, specifications may change without notice.

Item	Specification	Details
Electrical	Input Voltage	230 VAC ± 14% 50 / 60 Hz Single Phase @ 0.1 A
	DyNet DC Supply	12 V @ 120 mA (supply for approx 6 user interfaces)
Control	Outputs	8 x SPDT voltage free changeover contacts Maximum ratings for each output: - NO contact: 10 A 250 VAC (resistive) 10 A 30 VDC (resistive) TV8 rated - NC contact: 5 A 250 VAC (resistive) 5 A 30 VDC (resistive) - Snubbers/spark killers not fitted, de-rate for reactive loads - All 8 outputs must be on the same phase - Functional isolation only between switched outputs, do not mix SELV and non-SELV loads on the same DRC810DT - Maximum total box load 80 A
	Control Inputs/Outputs	One DMX512 / RS-485 DyNet serial port One programmable dry contact AUX input 8 x multipurpose programmable dry contact / 0-5 V / 0-10 VDC analogue inputs
	User Controls	Service override switch - all channels to 100% Diagnostic LED
	Internal Controls	Programmable Logic Controller
	Preset Scenes	170
Physical	Diagnostic Functions	Device online/offline status
	Supply Terminals	Line, Neutral 1 x 4 mm ² maximum conductor size
	Output Terminals	C, NO, NC for each channel 1 x 4 mm ² maximum conductor size Earth bar link provided
	Dry Contact Terminals	1 x 1 mm ² maximum conductor size
	Cable Entries	Mains: One 75 mm x 53 mm removable gland plate Data: One 25 mm dia. knockout
	Dimensions (H x W x D)	320 mm x 225 mm x 79 mm (12.6" x 8.9" x 3.1")
	Packed Weight	3.5 kg
	Construction	Alloy / Steel wall-mount case with epoxy finish
	Operating Conditions	Temperature: 0 to 50° C ambient Humidity: 0 to 95% non-condensing
	Storage & Transport	Temperature: -25 to 60° C ambient Humidity: 0 to 90% non-condensing
Certification	Certification	CE, C-Tick
Options & Ordering	Standard Product	DRC810DT (Philips 12NC 913703053509)

Electrical Diagram



Philips Dynalite
6 / 691 Gardeners Road
Mascot, NSW 2020
Australia
Tel: +61 2 8338 9899
Email: dynalite.info@philips.com
Web: www.philips.com/dynalite

Specifications subject to change without notice. ©WMGD Pty Ltd Trading as Dynalite. Unit 6, 691 Gardeners Road Mascot 2020 Australia. ABN 33 097 246 921. All rights reserved. Dynalite, DyNet and associated logos are the registered trademarks of WMGD Pty Ltd. Not to be reproduced without permission.