

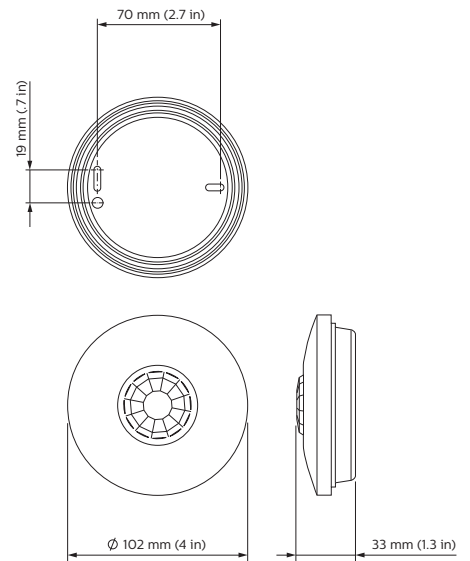


DUS704C Universal Sensor

Combination PIR, IR and PE sensing

The DUS704C is a surface mountable 360 degree sensor that combines motion detection (PIR), Infrared remote control reception (IR) and ambient light level detection (PE) into one device in applications such as offices, lecture theaters and homes.

- Motion detection feature — Detects the presence or absence of motion and adjusts lights accordingly.
- Ambient light level detection and daylight harvesting — In applications where it is critical to maintain precise light, the PE function reads ambient levels and adjusts artificial light accordingly.
- Infrared receive capability — Manually adjust light levels using a hand-held remote control, via the inbuilt IR receive sensor of the DUS704C.
- Multiple mounting options — The device is available in both 360 degree ceiling mount (DUS704C) or wide angle wall mount (DUS704W) versions.



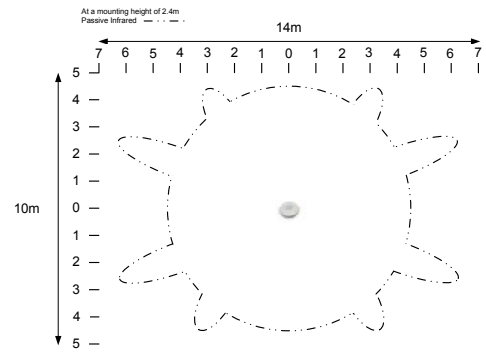
For detailed product information, please refer to the product information pages at www.philips.com/dynalite and follow the links.

Specifications

Due to continuous improvements and innovations, specifications may change without notice.

Item	Specification	Details
Hardware	Motion Detector	360° Ceiling Mount PIR Detector Range 9 m x 6 m ellipse (at 2.4 m height) Mounting height: 2.1 m to 4.0 m, 2.4 m optimum LED activation indicator Adjustable Pulse Count & Sensitivity Detection Zones: 34 dual element zones Sensor: Dual element pyroelectric RFI Immunity: >15 V/m @ 10-1000 MHz
	PE Cell	Dynamic range <5 lux to >13000 lux Automatic 'Daylight Harvesting' mode Can be used for light measurement
	Infrared Remote Control Receiver	Range >6m LED activation indicator Can be used with DTK500 series infrared remotes or other learning IR remote control
	Terminals	5 way terminal strip, 1 x 2.5 mm ² max conductor size and RJ12 socket
	Controls	Walk test/IR received LED indicator Tamper switch
Network	Control Inputs/Outputs	One RS-485 DyNet serial port
	DyNet DC Load	20 mA
	Configurations	All functions remotely programmable
Physical	Dimensions (H x W x D)	102 mm dia. x 33 mm (4.0" dia x 1.3")
	Packed Weight	0.116 kg
	Construction	ABS plastic enclosure
	Operating Conditions	Temperature: -0 to 45° C ambient Humidity: 10 to 90% non-condensing
	Storage & Transport	Temperature: -25 to 60° C ambient Humidity: 0 to 90% non-condensing
Certification	Certification	CE, C-Tick
Options & Ordering	Ceiling mount 360°	DUS704C (Philips I2NC - 913703070009)

Lens Pattern



Philips Dyalite
6 / 691 Gardeners Road
Mascot, NSW 2020
Australia
Tel: +61 2 8338 9899
Email: dyalite.info@philips.com
Web: www.philips.com/dyalite

Specifications subject to change without notice. ©WMGD Pty Ltd Trading as Dyalite. Unit 6, 691 Gardeners Road Mascot 2020 Australia. ABN 33 097 246 921. All rights reserved. Dyalite, DyNet and associated logos are the registered trademarks of WMGD Pty Ltd. Not to be reproduced without permission.