

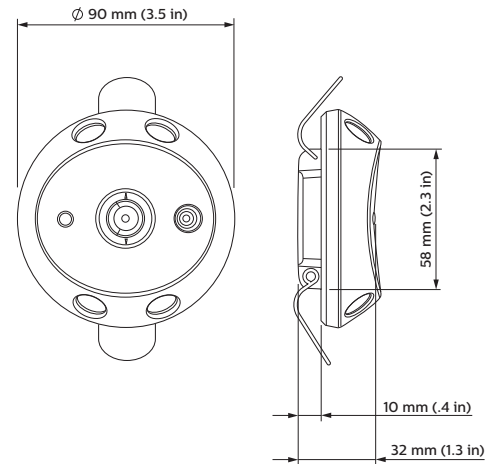


# DUS804CS-UP-NA Multifunction Sensor

## Surface mount ceiling sensor with ultrasonic capability

The DUS804C-UP-NA is a surface mountable 360 degree multifunction sensor that combines motion detection (PIR and ultrasonic), Infrared remote control reception (IR) and ambient light level detection (PE) into one device in applications such as offices, lecture theaters and homes.

- Motion detection feature — Detection of motion within scanned area triggers a programmed lighting action.
- Ambient light level detection and daylight harvesting — In applications where it is critical to maintain precise light, the PE function reads ambient levels and adjusts artificial light accordingly.
- Infrared receive capability — Manually adjust light levels using a hand-held remote control, via the inbuilt IR receive sensor of the DUS804CS-UP-NA.
- Daylight Harvesting mode — Delivers automatic energy savings.



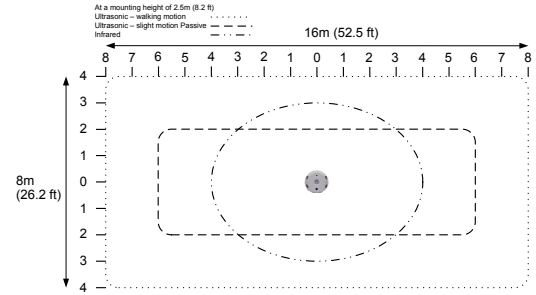
For detailed product information, please refer to the product information pages at [www.philips.com/lightingcontrolsna](http://www.philips.com/lightingcontrolsna).

## Specifications

Due to continuous improvements and innovations, specifications may change without notice.

## Lens Pattern

Item	Specification	Details
Hardware	Motion Detector	<p><b>PIR</b>                      Detection area: 21' x 18' (7.4 m x 5.6 m) ellipse (at a height of 8' (2.5 m))                      Detection speed: 3.3 ft/s (1.0 m/s)                      Detection object: 2.3' x 0.8' (700 mm x 500 mm)                      Detection zones: 64                      LED activation indicator                      Adjustable Pulse Count &amp; Sensitivity                      Sensor: Quad element pyroelectric                      RFI Immunity: &gt;15 V/m @ 10-1000 MHz</p> <p><b>Ultrasonic</b>                      Up to 1500 sq. ft.* (50' x 30') major motion detection area                      Up to 1000 sq. ft.* (36' x 30') minor motion detection area                      Mounting height: 8'                      Operating frequency: 32.8 KHz                      * dependent on application area</p>
	PE Cell	<p>Range: 5 - 500 lux (incident on sensor), &lt;5 lux to &gt;5000 lux (illumination of non-reflective surface in sensor's field of view). NB value subject to reflectance properties of surface                      Automatic 'Daylight Harvesting' mode</p>
	Infrared Remote Control Receiver	<p>Range up to 20' (6 m), angle dependant                      LED activation indicator                      Can be used with DTK500 series infrared remotes or other learning IR remote control</p>
	Terminals	5 way terminal strip, 1 x 14 AWG or 2 x 18 AWG max. conductor size
	Controls	Walk test/IR received LED indicator Tamper switch
Network	Control Inputs/Outputs	One RS-485 DyNet serial port
	DyNet DC Load	50 mA max. @ 16 VDC
	Configurations	All functions remotely programmable
Physical	Dimensions (H x W x D)	3.5" dia. x 1.3" (90 mm dia. x 32 mm)
	Packed Weight	0.55 lbs (0.25 kg)
	Construction	ABS plastic enclosure
	Operating Conditions	Temperature: 32 to 113° F (0 to 45° C) ambient Humidity: 10 to 90% non-condensing
	Storage & Transport	Temperature: -13 to 140° F (-25 to 60° C) ambient Humidity: 0 to 90% non-condensing
Certification	Certification	FCC, RoHS Compliant
Options & Ordering	Standard Product CAT5/CAT6 Wiring Adapter	DUS804CS-UP-NA (Philips I2NC - 913703570709) DRJ485ADAPT



**Philips Lighting North America**  
 200 Franklin Square Dr  
 Somerset, NJ, United States  
 Tel: 1-800-526-2731  
 Email: controls.support@philips.com  
 Web: www.philips.com/lightingcontrolsna

**Philips Lighting Canada**  
 281 Hillmount Road  
 Markham, Ontario L6C 2S3  
 Canada

Specifications subject to change without notice. ©WMGD Pty Ltd Trading as Dynalite. Unit 6, 691 Gardeners Road Mascot 2020 Australia. ABN 33 097 246 921. All rights reserved. Dynalite, DyNet and associated logos are the registered trademarks of WMGD Pty Ltd. Not to be reproduced without permission.