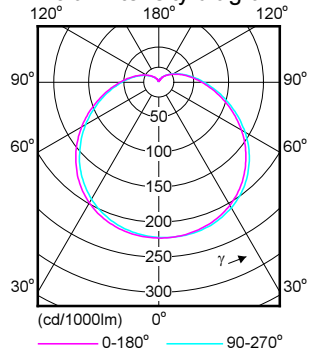


**LED Bulb 36W 4000lm 6500K A125**

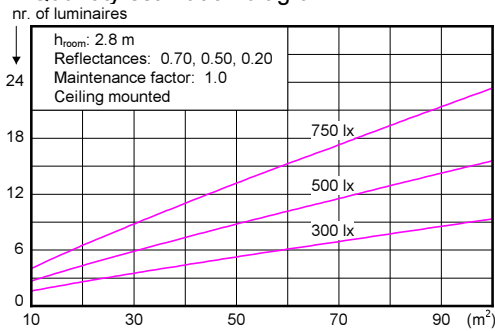
1 x 4000 lm

**Polar intensity diagram**



Light output ratio 1.00  
 Service upward 0.15  
 Service downward 0.85  
 CIE flux code 37 66 86 85 100

**Quantity estimation diagram**



**Utilisation factor table**

Room Index k	Reflectances (%) for ceiling, walls and working plane (CIE)											
	0.80			0.70			0.50			0.30		
0.60	0.80	0.80	0.39	0.70	0.70	0.38	0.50	0.50	0.23	0.30	0.30	0.00
0.80	0.51	0.48	0.48	0.49	0.48	0.46	0.37	0.31	0.35	0.30	0.30	0.26
1.00	0.59	0.55	0.57	0.55	0.53	0.45	0.43	0.38	0.41	0.36	0.32	
1.25	0.67	0.62	0.65	0.62	0.60	0.52	0.49	0.44	0.47	0.42	0.38	
1.50	0.74	0.67	0.70	0.67	0.65	0.57	0.54	0.49	0.51	0.47	0.42	
2.00	0.83	0.74	0.79	0.76	0.72	0.65	0.62	0.57	0.59	0.55	0.49	
2.50	0.90	0.79	0.86	0.81	0.77	0.71	0.67	0.63	0.64	0.60	0.54	
3.00	0.95	0.83	0.90	0.85	0.80	0.75	0.71	0.67	0.67	0.64	0.58	
4.00	1.01	0.87	0.96	0.90	0.85	0.80	0.76	0.73	0.72	0.69	0.63	
5.00	1.05	0.90	1.00	0.93	0.88	0.84	0.79	0.76	0.75	0.72	0.66	

Ceiling mounted

**Luminance Table**

Plane Cone	0.0	15.0	30.0	45.0	60.0	75.0	90.0
45.0	21707	21835	21962	22090	22218	22346	22473
50.0	19523	19650	19776	19903	20030	20156	20283
55.0	17512	17636	17760	17884	18008	18132	18256
60.0	15590	15708	15826	15943	16061	16179	16297
65.0	13858	13969	14081	14192	14303	14414	14525
70.0	12277	12369	12461	12553	12645	12738	12830
75.0	10798	10889	10979	11069	11160	11250	11341
80.0	9527	9607	9687	9768	9848	9929	10009
85.0	8373	8442	8511	8581	8650	8720	8789
90.0	7416	7476	7536	7596	7656	7716	7777

(cd/m<sup>2</sup>)