

Green Perform 3 BY698



Green Perform 3 Highbay es la solución ideal para iluminación de almacenes e industrias. Con una baja inversión inicial es posible reemplazar directamente sistemas de alumbrado con tecnología convencional reduciendo significativamente costos energéticos y de mantenimiento.

Beneficios

- Versatilidad y fácil instalación: 3 tipos de fijaciones;
- Versión atenuable: para conseguir aun mayor ahorro de energía;
- Posibilita el replazo directo de luminarias de halogenuros metálicos de 150W, 250W y 400W;
- Larga vida útil y bajo mantenimiento.



Características

- Cuerpo de aluminio inyectado;
- Eficacia luminosa de 129 lm/W;
- Driver electrónico fijo (PSU), o DALI (PSD) 120V - 277V 50/60Hz ;
- Temperatura de color neutra 4000K & 6500K
- Reproducción cromática de >80.

Aplicación

Ideal para alumbrado general en:

- Industrias;
- Almacenes.

PHILIPS

Especificaciones

Types	BY698P LED110	BY698P LED160	BY698P LED200	BY698P LED300
System Lumen	11000lm (Fix) 10000lm (Dali)	16000lm (Fix & Dali)	20000lm (Fix & Dali)	29000lm (Fix & Dali)
System Power	85W	120W	155W	225W
System efficacy	129lm/W	133lm/W	129lm/W	129lm/W
CCT	CW (6500K)/ NW (4000K)			
CRI / Color consistency	CRI > 80 / Color consistency < 5 SDCM			
Beam Angle	NB; WB			E-NB; NB
UGR	NB: 20~21; WB: 25~26			E-NB:20; NB:22
IP/IK rating	IP65 / IK07			
Classification	Class I			
Power factor	PF: 0.95			
Input Voltage	120-277V, 50/60 Hz			
Surge	L,N 2KV; L,N-GND 4KV			
Driver	Fixed; Dali			
Operation Temperature	-20°C to +50°C (Ta35°C)			
Lifetime L70(hrs)	50,000hrs@Ta35°C			
Material	Housing: Aluminum Die-casting / Lens cover: Optical PC			
Mounting / Installation	Pendant (pole/hook/bracket)			
Dimensions	Dia : 379mm Ht : 96mm	Dia : 417mm Ht : 105mm	Dia : 452mm Ht : 107mm	Dia : 530mm Ht : 120mm
Weight	3.2kgs	4.2kgs	4.7kgs	7.5kgs
Certificate	CB/CCC			
Optional accessory	BY698Z Bracket LED110	BY698Z Bracket LED160	BY698Z Bracket LED200	BY698Z Bracket LED300

Detalles del producto



- Fijación por gancho



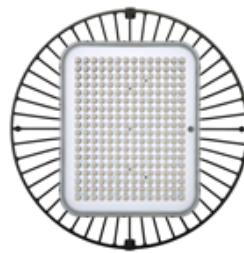
- Fijación por tubo



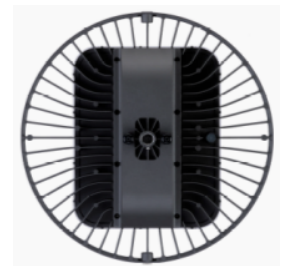
- Fijación brazo de montaje



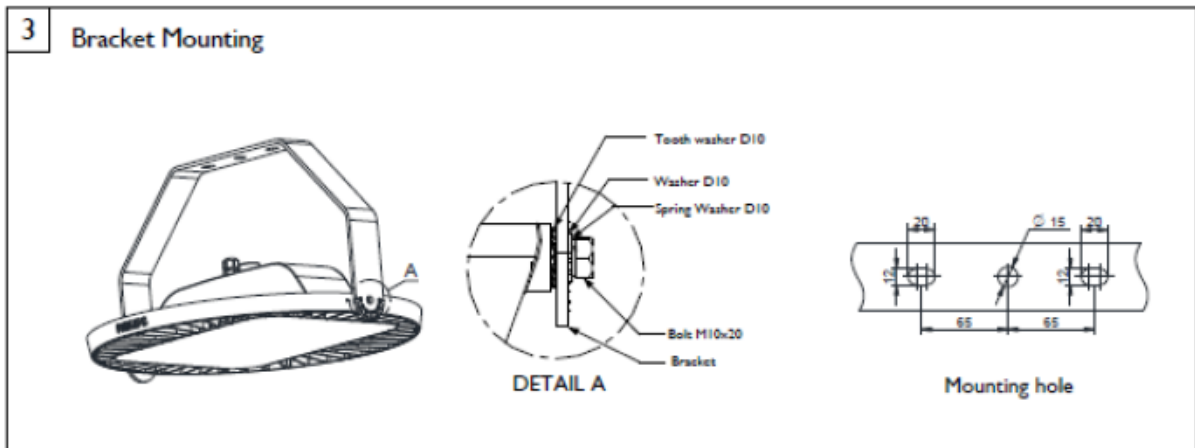
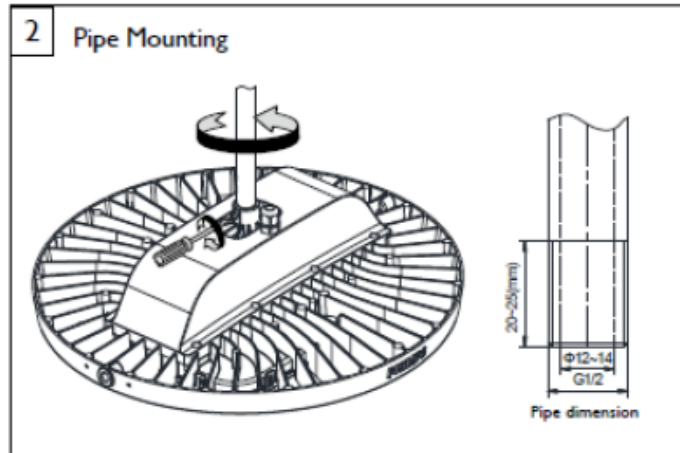
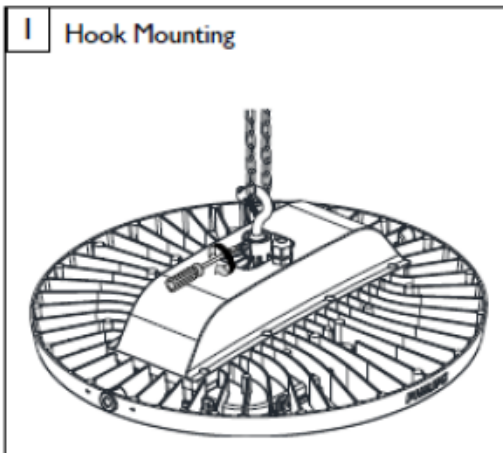
- Diseño compacto y delgado



- Sistema óptico

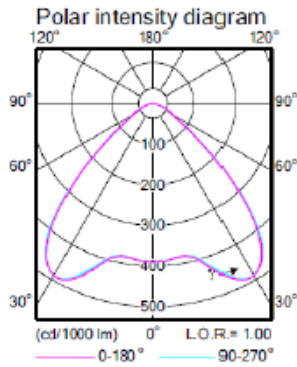


- Sistema de control térmico



Fotometrías

Haz abierto - WB



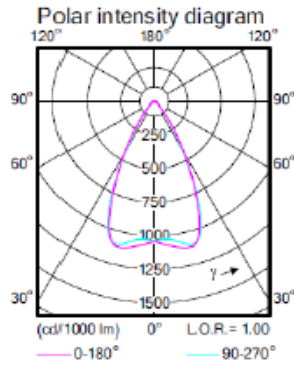
Light output ratio 1.00
 Service upward 0.00
 Service downward 1.00

CIE flux code 69 94 99 100 100

UGRcon (4Hx8H, 0.25H) 25

- WB
- 2 * 45 degree
- Symmetric

Haz cerrado – NB



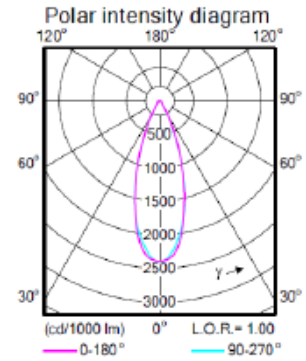
Light output ratio 1.00
 Service upward 0.00
 Service downward 1.00

CIE flux code 90 96 99 100 100

UGRcon (4Hx8H, 0.25H) 20

- NB
- 2 * 30 degree
- Symmetric

Haz cerrado Extremo



Light output ratio 1.00
 Service upward 0.00
 Service downward 1.00

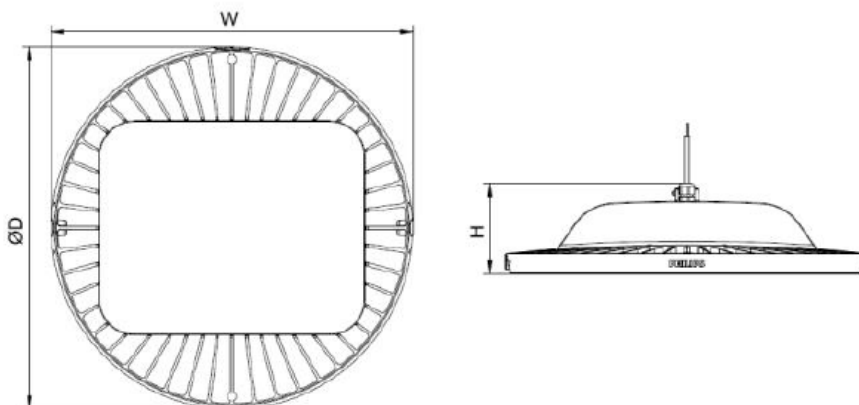
CIE flux code 90 96 99 100 100

UGRcon (4Hx8H, 0.25H) 20

- E-NB (29000lm only)
- 2 * 15 degree
- Symmetric
- Higher intensity for inst >15m

GREEN PERFORM 3

Dimensiones (mm)



Type	D	W	H
BY698P LED110	379	382	96
BY698P LED160	417	418	105
BY698P LED200	452	454	107
BY698P LED300	530	534	120

Información general

12NC	ProductDescription	12NC	Product Description
911401523331	BY698Z Bracket LED160	911401513331	BY698P LED200 NW PSU NB
911401514431	BY698P LED160 CW PSD NB	911401514831	BY698P LED110 CW PSU NB
911401514731	BY698P LED160 NW PSD WB	911401513731	BY698P LED200 NW PSD NB
911401523431	BY698Z Bracket LED110	911401513531	BY698P LED200 NW PSU WB
911401514231	BY698P LED160 CW PSU WB	911401515231	BY698P LED110 CW PSD NB
911401514331	BY698P LED160 NW PSU WB	911401513231	BY698P LED200 CW PSU NB
911401523531	BY698Z Bracket LED200	911401513631	BY698P LED200 CW PSD NB
911401514131	BY698P LED160 NW PSU NB	911401515331	BY698P LED110 NW PSD NB
911401514631	BY698P LED160 CW PSD WB	911401515031	BY698P LED110 CW PSU WB
911401523631	BY698Z Bracket LED300	911401513931	BY698P LED200 NW PSD WB
911401514031	BY698P LED160 CW PSU NB	911401513831	BY698P LED200 CW PSD WB
911401514531	BY698P LED160 NW PSD NB	911401515131	BY698P LED110 NW PSU WB
911401515431	BY698P LED110 CW PSD WB	911401513431	BY698P LED200 CW PSU WB
911401515531	BY698P LED110 NW PSD WB	911401514931	BY698P LED110 NW PSU NB

8241 101 02251	BY698P LED110 CW PSD WB 120-277V	120-277V
8241 101 02261	BY698P LED110 NW PSD WB 120-277V	120-277V
8241 101 02271	BY698P LED110 CW PSD NB 120-277V	120-277V
8241 101 02281	BY698P LED110 NW PSD NB 120-277V	120-277V
8241 101 02291	BY698P LED160 CW PSD WB 120-277V	120-277V
8241 101 02301	BY698P LED160 NW PSD WB 120-277V	120-277V
8241 101 02311	BY698P LED160 CW PSD NB 120-277V	120-277V
8241 101 02321	BY698P LED160 NW PSD NB 120-277V	120-277V
8241 101 02331	BY698P LED200 CW PSD WB 120-277V	120-277V
8241 101 02341	BY698P LED200 NW PSD WB 120-277V	120-277V
8241 101 02351	BY698P LED200 CW PSD NB 120-277V	120-277V
8241 101 02361	BY698P LED200 NW PSD NB 120-277V	120-277V



© 2013 Koninklijke Philips Electronics N.V.
Todos os direitos reservados.

As especificações estão sujeitas a alterações sem aviso prévio. As marcas comerciais são propriedade de Koninklijke Philips Electronics NV ou de seus respectivos proprietários.

www.philips.com/lighting