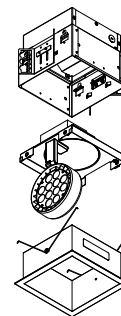


# Next generation lighting perfected.

**LLABR-VA**  
SPOT LED  
13 W/22 W  
RECESSED LIGHTING



PHILIPS LIGHTOLIER, LYTESPAN, RECESSED LIGHTING,  
SPOT LED, 13 W/1000LM AND 22 W/1600LM, LLABR-VA

**Complete unit**  
Frame-in kit + Fixture + optional Mud-in kit or accessories

Project: \_\_\_\_\_  
Location: \_\_\_\_\_  
Catalog No: \_\_\_\_\_  
Fixture Type: \_\_\_\_\_  
Mfg: \_\_\_\_\_ Lamps: \_\_\_\_\_ Qty: \_\_\_\_\_  
Notes: \_\_\_\_\_

## Frame-in kit

example: LLABR24WH030H3RSVA

Series	Length	Finish	Engine	CCT	Heads	Optics	Version
<b>LLABR</b>	<input type="text"/>	<input type="text"/>	<input type="text"/>	<input type="text"/>	<input type="text"/>	<input type="text"/>	<input type="text"/>
<b>LLABR</b> Spot LED recessed	<b>9</b> 9" for 1 head <b>17</b> 17" for 2 head <b>24</b> 24" for 3 head <b>32</b> 32" for 4 head	<b>WH</b> Matte White <b>BK</b> Matte Black	<b>0</b> 15.5 W - 9 LEDs <b>1</b> 26.7 W - 12 LEDs	<b>27</b> 2700K <b>30</b> 3000K <b>40</b> 4000K <sup>1</sup>	<b>H1</b> 1 head <b>H2</b> 2 head <b>H3</b> 3 head <b>H4</b> 4 head	<b>RS</b> Spot <b>RNF</b> Narrow flood <b>RF</b> Flood	<b>VA</b> Version A

## Fixture

example: LLABR24WHW

Series	Length	Finish	Flange
<b>LLABR</b>	<input type="text"/>	<input type="text"/>	<input type="text"/>
<b>LLABR</b> Spot LED recessed	<b>9</b> 9" for 1 head <b>17</b> 17" for 2 head <b>24</b> 24" for 3 head <b>32</b> 32" for 4 head	<b>WH</b> Matte White <b>BK</b> Matte Black	<b>W</b> With flange <b>FT</b> Flangeless trim

## Accessories<sup>2</sup>

example: 8595

Series	Finish
<input type="text"/>	<input type="text"/>
<b>Accessory holder<sup>3</sup></b> <b>8595</b> Spot LED 15.5 W <b>LLAB1AH</b> Spot LED 26.7 W	<b>WH</b> Matte white <b>BK</b> Matte black
<b>Snoot</b> <b>23SNT6</b> Compatible Snoot for Spot LED 15.5 W & 26.7 W	<b>WH</b> Matte white <b>BK</b> Matte black
<b>Diffusion filter</b> <b>AF4</b> Compatible Filter for Spot LED 15.5 W & 26.7 W	
<b>Color filter<sup>4</sup></b> <b>ADF4</b> Compatible Filter for Spot LED 15.5 W & 26.7 W	
<b>Hex cell louver</b> <b>AL4HC</b> Compatible Louver for Spot LED 15.5 W & 26.7 W	

## Mud-in kit

example: LLABR24MK

Series	Length	Option
<b>LLABR</b>	<input type="text"/>	<input type="text"/>
<b>LLABR</b> Spot LED recessed	<b>9</b> 9" for 1 head <b>17</b> 17" for 2 head <b>24</b> 24" for 3 head <b>32</b> 32" for 4 head	<b>MK</b> Mud-in kit only available with <b>FT</b> flangeless trim kit option

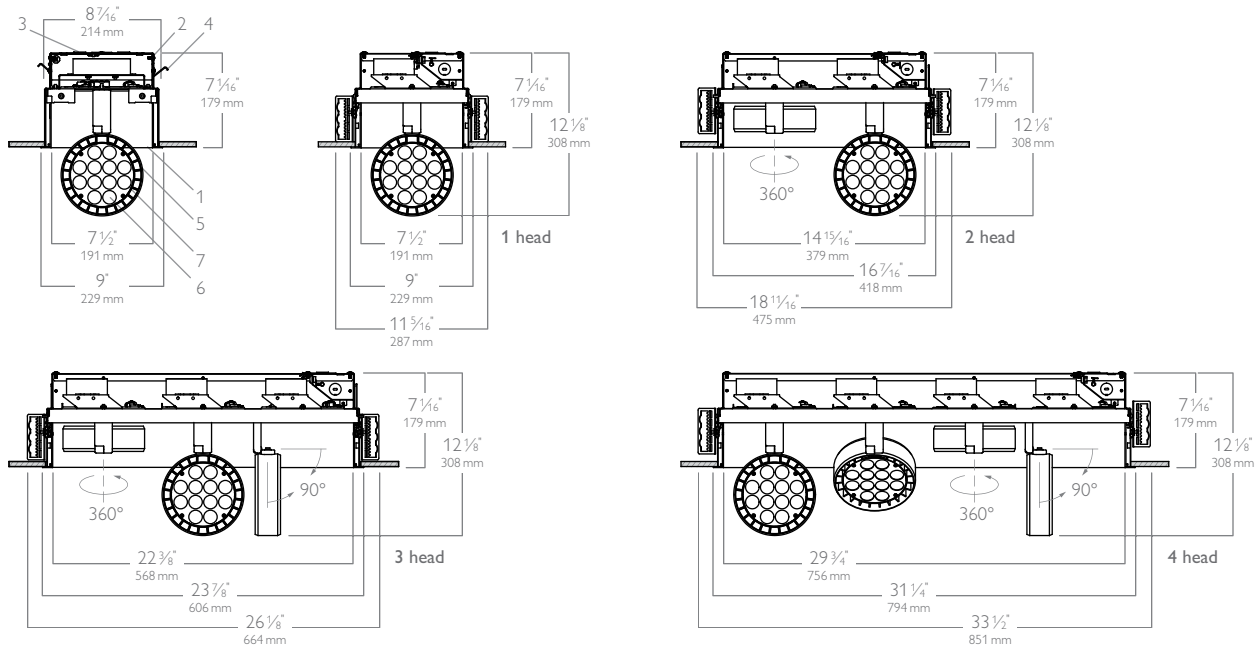
1. Consult factory for availability.
2. Accessories are not Energy Star qualified.
3. Accessory holder accept two accessories.
4. Color filters will project colored light on ceiling.



**PHILIPS**  
**LIGHTOLIER**

# LLABR-VA SPOT LED 13W/22W RECESSED LIGHTING

## Spot LED 26.7W



### Features

- Trim:** Extruded aluminum, welded together on all corners, with powder coat finish.
- Housing:** Universal housing voltage (120V-277Vac). Low profile (7"). Die-formed 22 ga. steel, black finish.
- Junction box:** Integrated junction box with separate wire compartment. Dual access from inside/outside.
- Mounting:** Brackets are adjustable vertically from inside of housing. Maximum ceiling thickness is 1.625". Accepts various types of mounting bars (1/2" EMT, C channel, Philips Lightolier Mounting Bars – all ordered separately). For use in T-grid or sheet rock ceilings.
- Thermal management:** Proprietary heat sink design was developed using the latest Computational Fluid Dynamics Software. Die cast aluminum effectively cools LEDs providing a minimum 50,000 hr lifetime at 70% lumen maintenance.
- Optic assembly:** Efficient TIR (total internal reflection) optically clear thermoplastic lenses held securely by frosted translucent thermoplastic holder. Positive securement into luminaire with screws and accurately positioned on LEDs with locating pins. Prevents dust and contaminants from entering LED compartment.
- Light source:** High brightness white LED. LEDs selected for tight color consistency between luminaires. 80-85 CRI, 3 step MacAdam ellipse maximum.
- Finish:** Powder coated finish.

### Application Compatibility

Series	T-Grid	Sheet Rock
1 Head	Flange	Flange/Flangeless
2 Head	Flange	
3 Head	Flange/Flangeless*	
4 Head	Flange	

\* Additional T-Grid runners are required (supplied by others).

### Dimming

Consult factory for dimming.

### Electrical

**Electronic power supply:** RoHS compliant Class 2 power unit for use in a damp or dry location (Outdoor Type1 IP66). Class A sound rated unit tolerates sustained open circuit and short circuit output conditions without damage. Complies with FCC rules per Title 47 CFR PART 15 Non-Consumer (Class A) for EMI/RFI (conducted and radiated) at full load.

**Electronic power supply**  
**Input voltage:** 120V, 277V at 50/60Hz  
**High power factor:** >0.9  
**CRI:** 85 (typical)

**Lumen maintenance:**  
 >70% of initial lumens at 50,000 hrs.

**Photometric performance:**  
 Tested in accordance with LM79

**Phase 2 Driver (XI025C100V036DNM1) w/o TP**

**9 LED: 2700K**  
**Nominal input power: 13W**

Reflector	Beam sprd	Lms	Efficacy	CBCP
RS	10°	995.8	76.6	25,835.0
RNF	20°	943.6	72.6	4,534.6
RF	34°	926.2	71.2	2,196.0

**9 LED: 3000K**  
**Nominal input power: 13W**

Reflector	Beam sprd	Lms	Efficacy	CBCP
RS	10°	1087.0	83.6	28,201.4
RNF	20°	1030.0	79.2	4,949.9
RF	34°	1011.0	77.8	2,397.2

**12 LED: 2700K**

**Nominal input power: 22W**

Reflector	Beam sprd	Lms	Efficacy	CBCP
RS	10°	1578.5	71.8	36,449.5
RNF	22°	1478.1	67.2	7,480.2
RF	36°	1465.0	66.6	3,225.2

**12 LED: 3000K**

**Nominal input power: 22W**

Reflector	Beam sprd	Lms	Efficacy	CBCP
RS	10°	1682.0	76.5	38,838.4
RNF	22°	1575.0	71.6	7,970.5
RF	36°	1561.0	71.0	3,436.6

**12 LED: 4000K**

**Nominal input power: 22W**

Reflector	Beam sprd	Lms	Efficacy	CBCP
RS	10°	1843.6	83.8	42,569.2
RNF	22°	1726.3	78.5	8,736.2
RF	36°	1711.0	77.8	3,766.3

### Labels

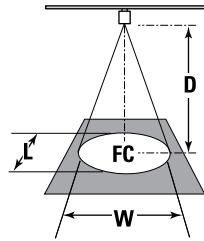
cULus listed. Suitable for damp location.  
 Energy Star certified (based on standard product).  
 Title 24 compliant  
 5 year warranty.

# LLABR-VA SPOT LED 13W/22W RECESSED LIGHTING

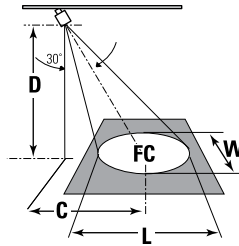
## Aiming angle

**L** and **W** are the outer points where the candle power drops to 50% of the maximum. **FC** are the initial footcandles at the center of the beam. Data shown is for 3000K, for 2700K multiply **FC** by 0.91.

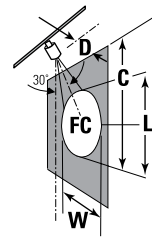
L = Beam length  
W = Beam width  
D = Distance  
C = Distance to center beam  
A = Aiming angle  
FC = Footcandles  
CBCP = Center Beam Candle Power



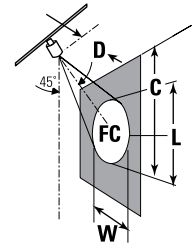
0° horizontal aiming angle



30° horizontal aiming angle



30° vertical aiming angle



45° vertical aiming angle

	Beam spread (To 50% CBCP)	CBCP	Rated Life (Hrs.)	0° horizontal aiming angle					30° horizontal aiming angle					30° vertical aiming angle					45° vertical aiming angle				
				D	C	FC	L	W	D	C	FC	L	W	D	C	FC	L	W	D	C	FC	L	W
<b>LLABR</b> 15.5W 3000K Spot	10°	28,201	50,000	6	0.0	783	1.0	1.0	6	3.5	509	1.3	1.1	2	3.5	881	1.3	0.6	3	3.0	1108	1.0	0.7
				8	0.0	441	1.3	1.3	8	4.6	286	1.7	1.5	3	5.2	392	2.0	1.0	4	4.0	623	1.3	0.9
				10	0.0	282	1.6	1.6	10	5.8	183	2.2	1.9	4	6.9	220	2.6	1.3	5	5.0	399	1.6	1.1
				12	0.0	196	1.9	1.9	12	6.9	127	2.6	2.2	5	8.7	141	3.3	1.6	6	6.0	277	1.9	1.4
<b>LLABR</b> 15.5W 3000K Narrow Flood	20°	4,950	50,000	6	0.0	137	2.1	2.1	6	3.5	89	2.9	2.5	2	3.5	155	3.2	1.4	3	3.0	194	2.2	1.5
				8	0.0	77	2.9	2.9	8	4.6	50	3.9	3.3	3	5.2	69	4.8	2.1	4	4.0	109	3.0	2.0
				10	0.0	49	3.6	3.6	10	5.8	32	4.8	4.1	4	6.9	39	6.3	2.9	5	5.0	70	3.7	2.5
				12	0.0	34	4.3	4.3	12	6.9	22	5.8	5.0	5	8.7	25	7.9	3.6	6	6.0	49	4.4	3.0
<b>LLABR</b> 15.5W 3000K Flood	34°	2,397	50,000	6	0.0	67	3.5	3.5	6	3.5	43	4.8	4.1	2	3.5	75	6.4	2.4	3	2.0	94	3.9	2.5
				8	0.0	37	4.7	4.7	8	4.6	24	6.5	5.4	3	5.2	33	9.5	3.5	4	3.0	53	5.2	3.3
				10	0.0	24	5.9	5.9	10	5.8	16	8.1	6.8	4	6.9	19	12.7	4.7	5	4.0	34	6.4	4.2
				12	0.0	17	7.1	7.1	12	6.9	11	9.7	8.2	5	8.7	12	15.9	5.9	6	5.0	24	7.7	5.0
<b>LLABR</b> 26.7W 3000K Spot	10°	38,838	50,000	6	0.0	1079	1.0	1.0	6	3.5	701	1.3	1.1	2	3.5	1214	1.3	0.7	3	3.0	1526	1.0	0.7
				8	0.0	607	1.3	1.3	8	4.6	394	1.7	1.5	3	5.2	539	2.0	1.0	4	4.0	858	1.3	0.9
				10	0.0	388	1.6	1.6	10	5.8	252	2.2	1.9	4	6.9	303	2.7	1.3	5	5.0	579	1.6	1.2
				12	0.0	270	2.0	2.0	12	6.9	175	2.6	2.3	5	8.7	194	3.3	1.6	6	6.0	381	2.0	1.4
<b>LLABR</b> 26.7W 3000K Narrow Flood	22°	7,970	50,000	6	0.0	221	2.2	2.2	6	3.5	144	3.0	2.6	2	3.5	249	3.3	1.5	3	3.0	313	2.3	1.6
				8	0.0	125	3.0	3.0	8	4.6	81	4.0	3.4	3	5.2	111	5.0	2.2	4	4.0	176	3.1	2.1
				10	0.0	80	3.7	3.7	10	5.8	52	5.0	4.3	4	6.9	62	6.6	3.0	5	5.0	113	3.8	2.6
				12	0.0	55	4.4	4.4	12	6.9	36	6.0	5.1	5	8.7	40	8.3	3.7	6	6.0	78	4.6	3.1
<b>LLABR</b> 26.7W 3000K Flood	36°	3,437	50,000	6	0.0	95	4.0	4.0	6	3.5	62	5.5	4.6	2	3.5	107	7.9	2.6	3	3.0	135	4.5	2.8
				8	0.0	54	5.3	5.3	8	4.6	5	7.3	6.1	3	5.2	48	11.8	4.0	4	4.0	76	5.9	3.7
				10	0.0	34	6.6	6.6	10	5.8	22	9.2	7.6	4	6.9	27	15.8	5.3	5	5.0	49	7.4	4.7
				12	0.0	24	7.9	7.9	12	6.9	16	11.0	9.2	5	8.7	17	19.7	6.6	6	6.0	34	8.9	5.6



© 2013 Koninklijke Philips N.V. All rights reserved.  
Specifications are subject to change without notice.  
[www.philips.com/luminaires](http://www.philips.com/luminaires)

Philips Lighting Company  
200 Franklin Square Drive  
Somerset, NJ 08873  
Phone: 855-486-2216

Philips Lighting Company  
281 Hillmount Road  
Markham ON, Canada L6C 2S3  
Phone: 800-668-9008