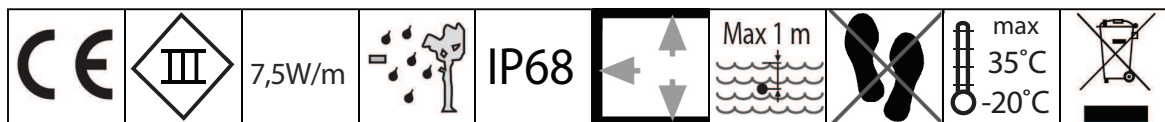
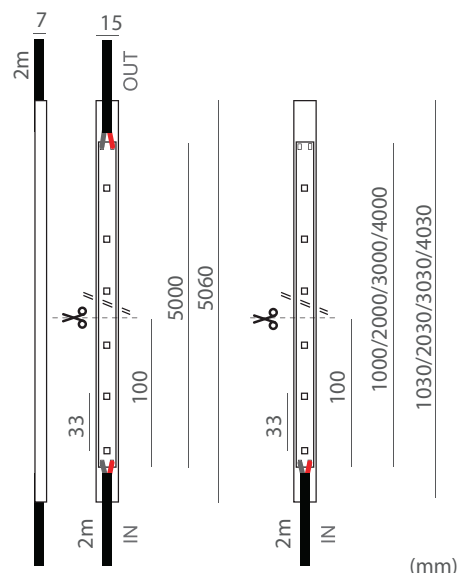


LINEAR SYSTEM OUTDOOR/UNDERWATER RIGA RGB

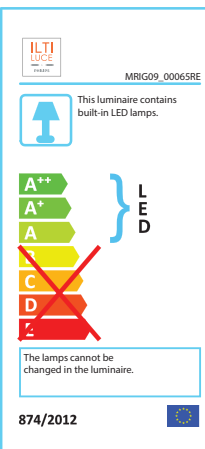
MRIG09100065RE
MRIG09200065RE
MRIG09300065RE
MRIG09400065RE
MRIG09500065RE



Striscia LED, RGB, flessibile con grado di protezione IP68. Utilizzabile in indoor o outdoor come luce funzionale/decorativa.

IP68 flexible RGB LED strip. Suitable for indoor or outdoor as functional/decorative light.

Staffe di fissaggio incluse.
Included fixing clips.



General Information	Caractéristiques Générales	Allgemeine Informationen	Informazioni generali	
Material	Matériaux	Materialien	Materiali	PVC + polyurethan resin
Number of light sources	Nombre de Source(s)	Anzahl Lichtquellen	Numero sorgenti lum.	30 LED/m
Fixing system	Système de fixation	Befestigungssystem	Sistema di fissaggio	clips
Driver included	Driver intégré	Treiber inklusive	Driver incluso	NO
Protection class IEC	Classe électrique	Schutzklasse	Classe di isolamento	III
IP code	IP	Schutzart	Grado IP	IP 68
IK code	IK	Schlagfestigkeit (IK)	Grado IK	/
Optic type	Optique	Optik	Ottica	transparent
Cable	Câble	Kabel	Cavo	2 m
Dimmable	Gradable	Dimmbar	Dimmerabile	YES
European Community mark	Marquage CE	CE-Zeichen	Marchio comunità europea	CE
Lifetime to 80% luminous flux	Durée vie 80% flux lumineux	Lebensdauer bis 80% Lichtstrom	Durata funzion. (80% flusso)	30 000 h
Weight (kg)	Poids (kg)	Gewicht (kg)	Peso (Kg)	0,215 kg (1m) - 1,2 kg (5m)
Electrical	Caractéristiques Electriques	Elektrische Kenndaten	Corrente	
Input voltage	Tension d'alimentation	Netzspannung	Tensione di alimentazione	12 V
Initial performances	Performances initiales	Anfängliche Leistung	Performance iniziali	
Initial input power	Initial input power	Systemleistung	Potenza di sistema	7,5 W/m
Initial luminous flux	Initial luminous flux	Lichtstrom	Flusso luminoso iniziale	-
Initial LED luminaire efficacy	Initial LED luminaire efficacy	Effizienz	Efficienza luminosa iniziale	-
Init. Corr. Color Temperature*	Init. Corr. Color Temperature*	Farbtemperatur*	Temperatura colore lampada*	RGB
CRI	IRC	CRI	CRI	-
Application conditions	Conditions d'application	Einsatzbedingungen	Condizioni applicazione	
Ambient temperature range	Température ambiante	Umgebungstemperatur	Temperatura ambiente	max. +35°C - min. -50°C

* Colour temperature could change max. +/- 8%.

RIGA RGB Version

Technical Features

- Led Strip sheathed in white profile and encapsulated in a polyurethane resin
- Good weather resistance and excellent UV light stability
- Dimmable
- Possibility to cut to length
- Transparent

Benefits

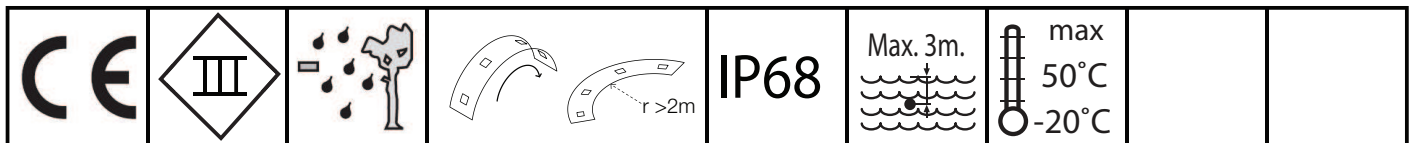
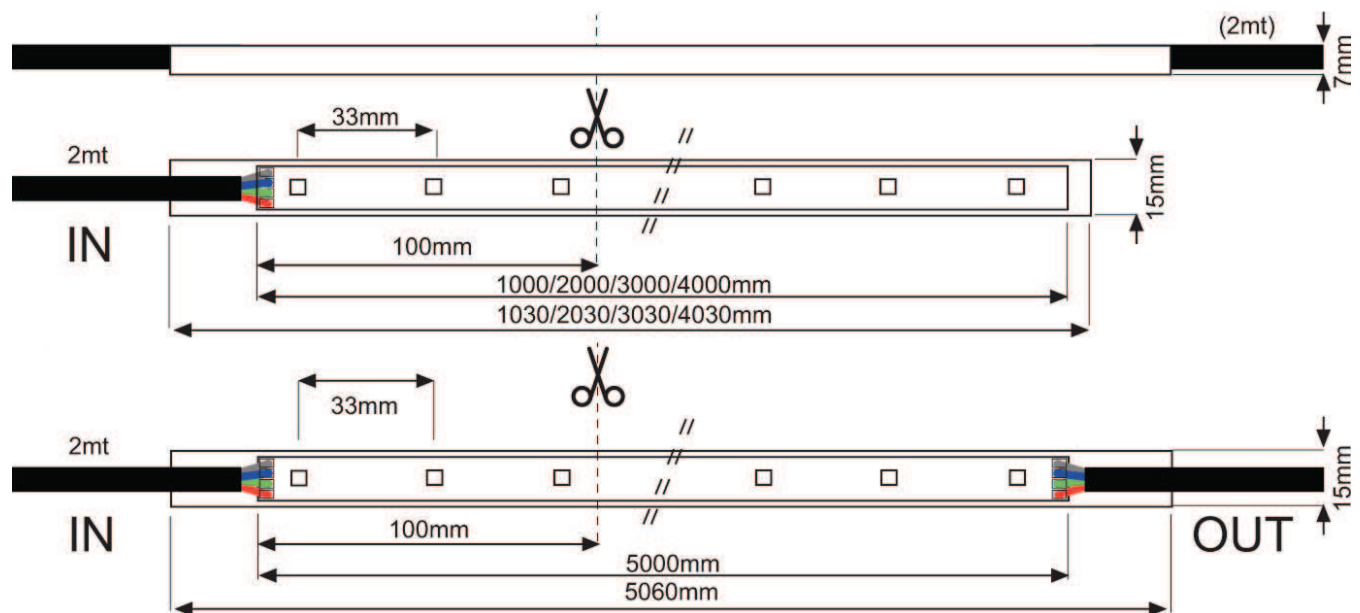
- Fully waterproof IP68, it can be used both indoor and outdoor.
- Available in RGB version in different lengths: 1, 2, 3, 4 and 5 m.
- Easy installation with IP68 cable connectors (not included**)
- Extremely flexible
- Can be cut to length every 10 cm

Technical Data

Product	Color	Number of LEDs	Voltage [V DC]	Power [W]	Radiance Angle[°]	Color Temp [K]	Lum. Flux [lm]
MRIG09_00065RE	RGB	30/MT	12	7,5 W/m	120	RGB	/

- Cable included 1x200cm - HORN8-F type - 4x0,5 mm²
- 5 m version: Cable included 2x200cm (IN and OUT) - HORN8-F type - 4x0,5 mm²
- 5 m - Absolute Maximum Rating : 3A (Forward Current)

Drawings



si consiglia la conservazione delle seguenti istruzioni - we suggest you to keep this copy for your files

RIGA RGB Version (DMX)*

- parallel connection allowed

Serial connection is not recommended. Unbalanced voltage drop can cause hazardous overload and damage the LED module.

Feeder (not included)
WALIMLED09W12V (220 ÷ 240V; 50-60Hz)
WALIMLED025/12 (90 ÷ 277V; 50-60Hz)
WALIMLED060/12 (100 ÷ 240V; 50-60Hz)
WALIMLED100/12 (100 ÷ 240V; 50-60Hz)

Console DMX (not included)
WMASTERDMX/INC
WCOLORWHEEL*
 *WALIMCOLORWHEEL

Controller DMX (not included)
WSLAVEDMX12/24V
 (up to 10mt RIGA RGB=2x5 m
 or 15 m RIGA Monochrome=3x5 m)

A
 feeder
WALIMLED060/12
 60W-12V / IP66
 up to 7mt of RIGA WV

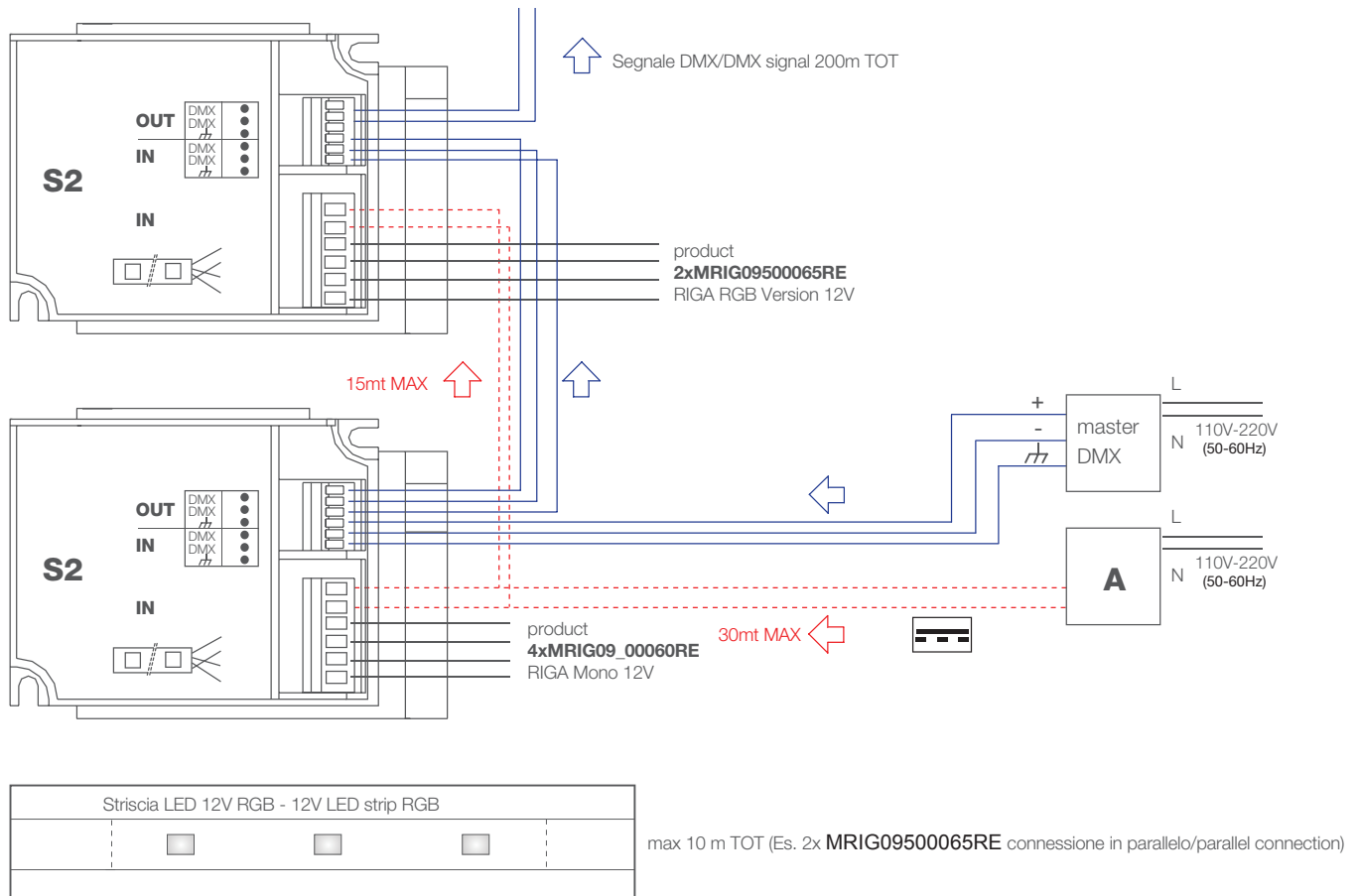
 product
MRIG09500060RE
 RIGA White Version 12V

S2
 Slave DMX
WSLAVEDMX12/24V
 up to 10mt of RIGA RGB

MASTER DMX
WMASTERDMX/INC
WCOLORWHEEL

terminale/cap
 120 Ω
 +|-|

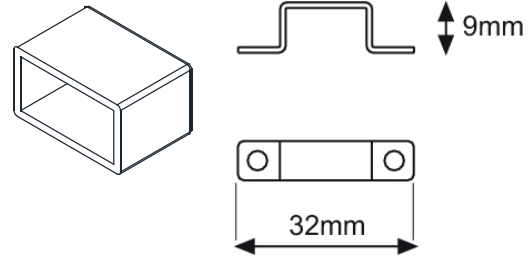
up to 32 SLAVE DMX (after 32 fittings use the signal amplifier cod. **MAMPL/SIGNAL_DMX**)



si consiglia la conservazione delle seguenti istruzioni - we suggest you to keep this copy for your files

Accessories

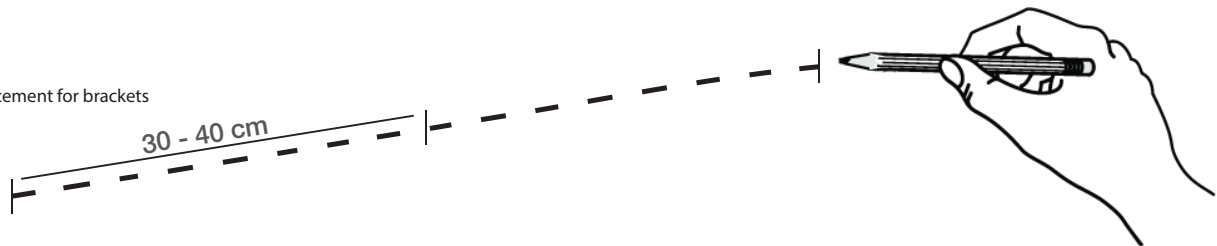
- Clips (included)
- End Cap (PE LD) included - to use with silicon glue



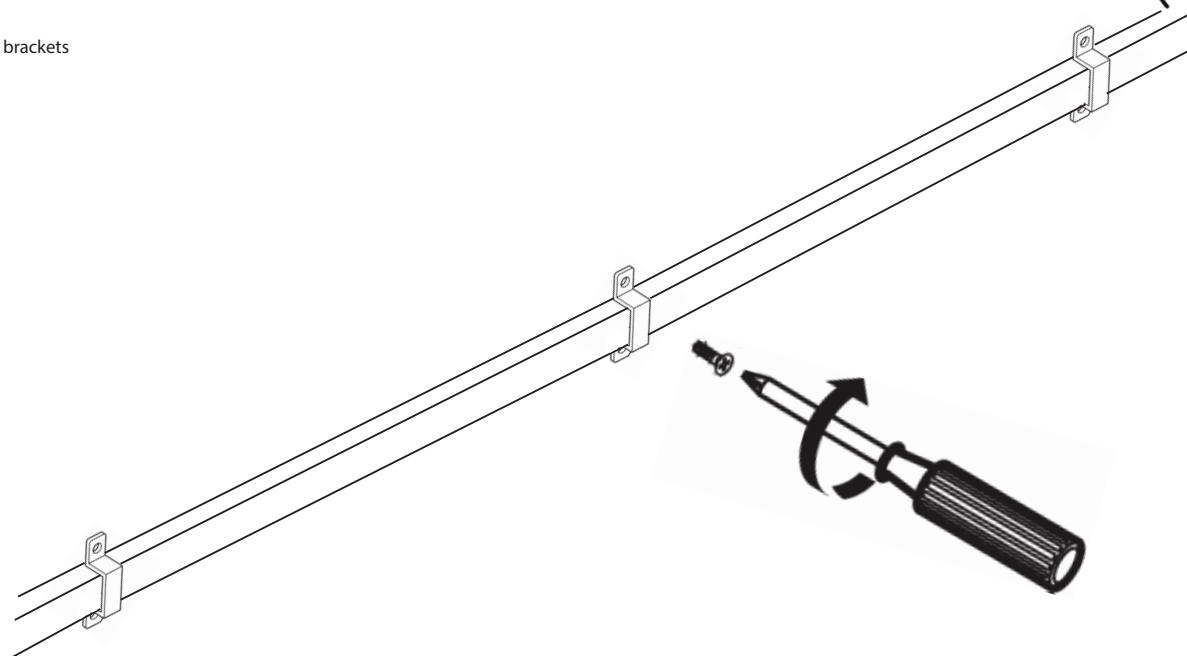
Safety Information

- The LED module itself and all its components must not be mechanically stressed.
- Average CCT colour temperature, this value can vary due to the manufacturing processes.
- Dominant wavelength, this value can vary due to the manufacturing processes.
- Exceeding maximum ratings for operating and storage will reduce expected life time or destroy the product.
- The minimum bending radius is 10 cm.
- Operating Temperature: -20°C / +50°C
- Lifetime 30.000 hours @ Ta = +35 °C
- Assembly must not damage or destroy conducting paths on the circuit board.
- Serial connection is not recommended. Unbalanced voltage drop can cause hazardous overload and damage the LED module.
- Please ensure that the power supply is of adequate power to operate the total load.
- LED inside the chain are not replaceable.
- The cables in this product are not replaceable.
- Installation of LED modules (with power supplies) needs to be made with regard to all applicable electrical and safety standards.
- Only qualified personnel should be allowed to perform installations.
- Drawings and dimensions are only to be used as indication, please contact us for exact measurements and tolerances.
- Typical performance data are subject to change without any further notice.

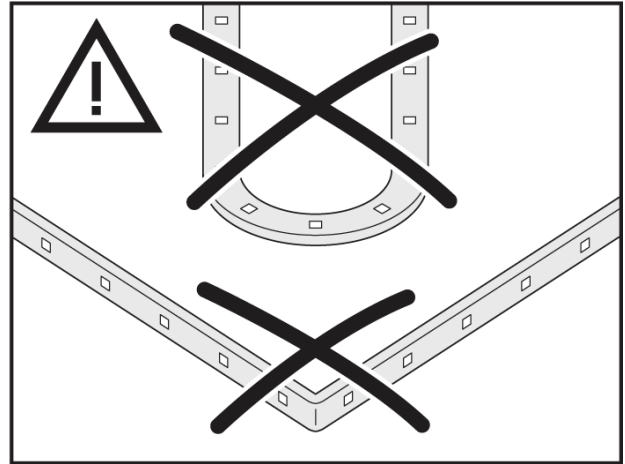
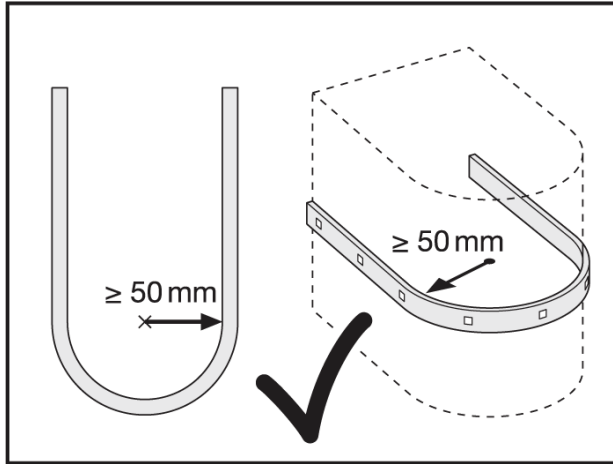
- Mark placement for brackets



- Install brackets



si consiglia la conservazione delle seguenti istruzioni - we suggest you to keep this copy for your files



si consiglia la conservazione delle seguenti istruzioni - we suggest you to keep this copy for your files

tabella di riepilogo prodotti/ product overview table

codice/ code	colore/ colour	tipo/ type	potenza/ power	caratteristiche/ specifications	fascio ottico/ optic beam	ottica/ optic	tipo di LED/ LED type	materiale/ material	fissaggio/ fixation	IP/ IP
MRIG09100065RE	RGB	esterni/ outdoor	7,5W	L= 103cm	120°	fissa/ fixed	nastro LED media emissione/ LED strip medium emission	PVC e resina/ PVC and resin	con staffe/ with brackets	68
MRIG09200065RE	RGB	esterni/ outdoor	15W	L= 203cm	120°	fissa/ fixed	nastro LED media emissione/ LED strip medium emission	PVC e resina/ PVC and resin	con staffe/ with brackets	68
MRIG09300065RE	RGB	esterni/ outdoor	22,5W	L= 303cm	120°	fissa/ fixed	nastro LED media emissione/ LED strip medium emission	PVC e resina/ PVC and resin	con staffe/ with brackets	68
MRIG09400065RE	RGB	esterni/ outdoor	30W	L= 403cm	120°	fissa/ fixed	nastro LED media emissione/ LED strip medium emission	PVC e resina/ PVC and resin	con staffe/ with brackets	68
MRIG09500065RE	RGB	esterni/ outdoor	37,5W	L=506cm	120°	fissa/ fixed	nastro LED media emissione/ LED strip medium emission	PVC e resina/ PVC and resin	con staffe/ with brackets	68