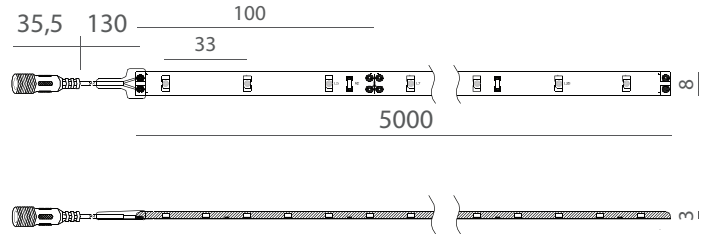


MRIG04500065RE



(mm)

		37,5 W		IP65			max 40°C -15°C	
--	--	--------	--	------	--	--	-------------------	--

Nastro LED rivestito in una resina poliuretana trasparente.  
Dimmerabile.

LED Strip sheathed in a transparent polyurethane resin.  
Dimmable.

**DMX512**

**ILTI LUCE**  
MRIG04500065RE

This luminaire contains built-in LED lamps.

**LED**

The lamps cannot be changed in the luminaire.

874/2012

General Information	Caractéristiques Générales	Allgemeine Informationen	Informazioni generali	
Material	Matériaux	Materialien	Materiali	Polyurethan resin
Number of light sources	Nombre de Source(s)	Anzahl Lichtquellen	Numero sorgenti lum.	30 LED/m
Fixing system	Système de fixation	Befestigungssystem	Sistema di fissaggio	3M tape
Driver included	Driver intégré	Treiber inklusive	Driver incluso	NO
Protection class IEC	Classe électrique	Schutzklasse	Classe di isolamento	III
IP code	IP	Schutzart	Grado IP	IP 65
IK code	IK	Schlagfestigkeit (IK)	Grado IK	/
Optic type	Optique	Optik	Ottica	transparent
Cable	Câble	Kabel	Cavo	13 cm + connector
Dimmable	Gradable	Dimmbar	Dimmerabile	YES
European Community mark	Marquage CE	CE-Zeichen	Marchio comunità europea	CE
Lifetime to 80% luminous flux	Durée vie 80% flux lumineux	Lebensdauer bis 80% Lichtstrom	Durata funzion. (80% flusso)	30 000 h
Weight (kg)	Poids (kg)	Gewicht (kg)	Peso (Kg)	/
Electrical	Caractéristiques Electriques	Elektrische Kenndaten	Corrente	
Input voltage	Tension d'alimentation	Netzspannung	Tensione di alimentazione	12 V
Initial performances	Performances initiales	Anfängliche Leistung	Performance iniziali	
Initial input power	Initial input power	Systemleistung	Potenza di sistema	37,5 W
Initial luminous flux	Initial luminous flux	Lichtstrom	Flusso luminoso iniziale	-
Initial LED luminaire efficacy	Initial LED luminaire efficacy	Effizienz	Efficienza luminosa iniziale	-
Init. Corr. Color Temperature*	Init. Corr. Color Temperature*	Farbtemperatur*	Temperatura colore lampada*	RGB
CRI	IRC	CRI	CRI	-
Application conditions	Conditions d'application	Einsatzbedingungen	Condizioni applicazione	
Ambient temperature range	Température ambiante	Umgebungstemperatur	Temperatura ambiente	max. +40°C - min. -15°C

\* Colour temperature could change max. +/- 8%.

### Technical Features

- Led Strip sheathed encapsuled in a polyurethane resin
- IP65 indoor(surface can totally prevent the powder ingress and won't be harmed by flushing water in a short time of 3 minute)
- Excellent UV light stability
- Dimmable
- 3M tape for installation

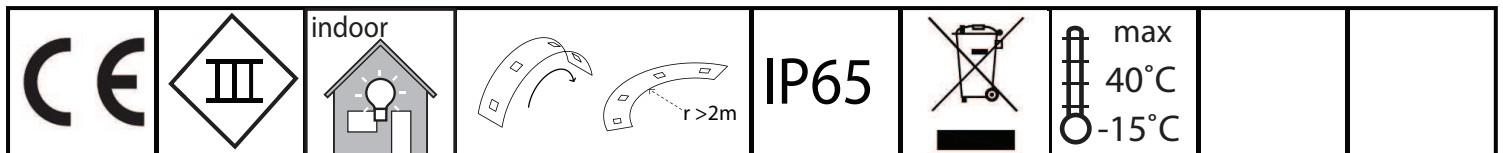
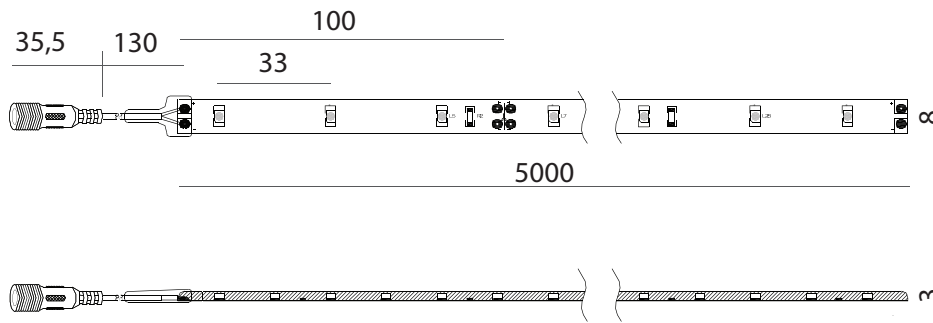
### Benefits

- Easy installation with cable connectors (included)
- Extremely flexible
- Can be cut to lenght every 10 cm

### Technical Data

Product	Color	Number of LEDs	Voltage [V DC]	Power [W]	Radiance Angle[°]	Color Temp [K]	Lum. Flux [lm]
822220986320	RGB	30/MT	12	7,5 W/m	120	RGB	/

### Drawings



si consiglia la conservazione delle seguenti istruzioni - we suggest you to keep this copy for your files

#### Installation instructions RIGA indoor RGB Version (DMX)\*

- parallel connection allowed

**Serial connection is not recommended. Unbalanced voltage drop can cause hazardous overload and damage the LED module.**

#### Feeder (not included)

WALIMLED09W12V (220 ÷ 240V; 50-60Hz)  
 WALIMLED025/12 (90 ÷ 277V; 50-60Hz)  
 WALIMLED060/12 (100 ÷ 240V; 50-60Hz)  
 WALIMLED100/12 (100 ÷ 240V; 50-60Hz)

#### Console DMX (not included)

WMASTERDMX/INC  
 WCOLORWHEEL\*

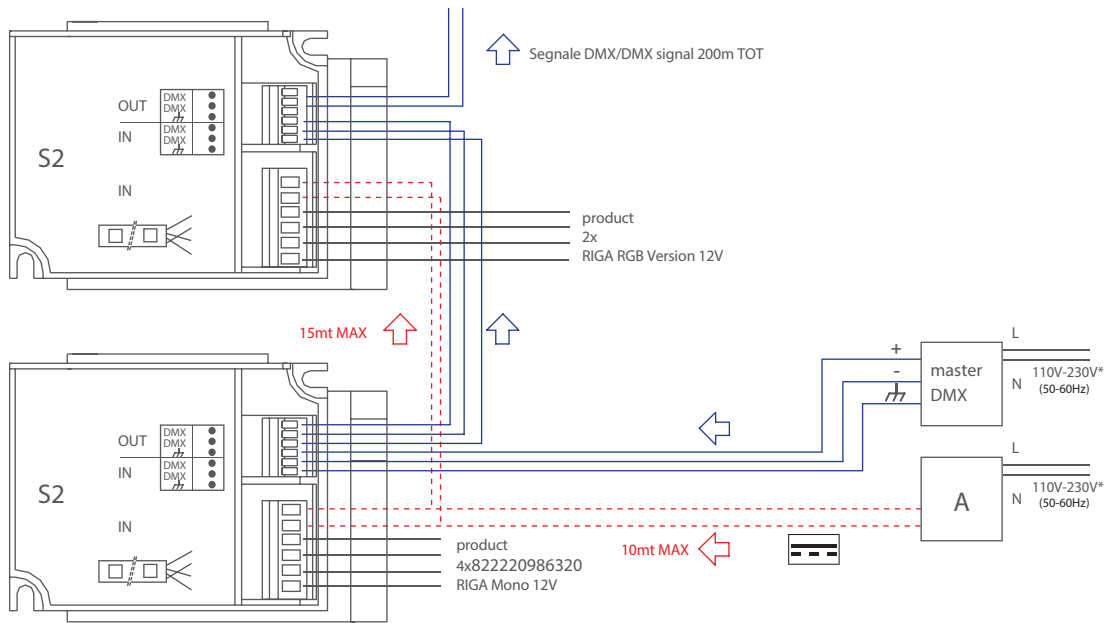
\*WALIMCOLORWHEEL

#### Controller DMX (not included)

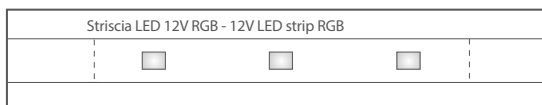
WSLAVEDMX12/24V  
 (up to 10mt RIGA Indoor RGB=2x5 m  
 or 15 m RIGA Monochrome=3x5 m)

<b>A</b> feeder WALIMLED060/12 60W-12V / IP66 up to 7mt of RIGA WV  product 822220986320 RIGA RGB Version 12V	<b>S2</b> Slave DMX WSLAVEDMX12/24V up to 10mt of RIGA RGB  terminale/cap 120 Ω + -	<b>MASTER DMX</b> WMASTERDMX/INC WCOLORWHEEL
---	--	--

up to 32 SLAVE DMX (after 32 fittings use the signal amplifier cod. MAMPL/SIGNAL\_DMX)



\*Verificare la tensione di ingresso supportata dagli alimentatori / Verify the input tension supported from drivers



max 10 m TOT (Es. 2x 822220986320 connessione in parallelo/parallel connection)

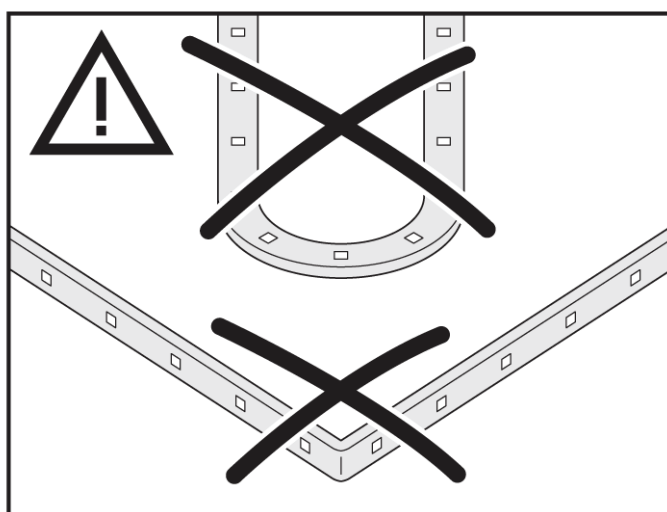
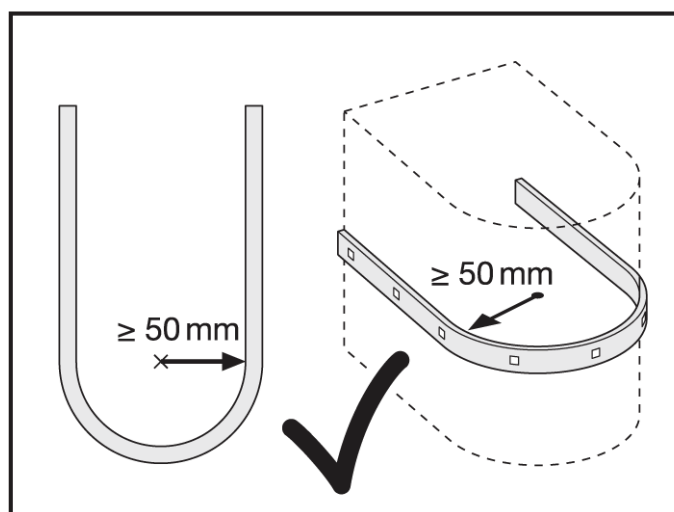
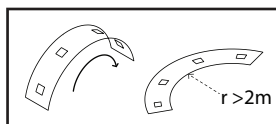
si consiglia la conservazione delle seguenti istruzioni - we suggest you to keep this copy for your files

### Accessories

- Clips (not included)

### Safety Information

- The LED module itself and all its components must not be mechanically stressed.
- **Average CCT colour temperature, this value can vary due to the manufacturing processes.**
- **Dominant wavelength, this value can vary due to the manufacturing processes.**
- Exceeding maximum ratings for operating and storage will reduce expected life time or destroy the product.
- The minimum bending radius is 10 cm.
- Operating Temperature:  $-15^{\circ}\text{C}$  /  $+40^{\circ}\text{C}$
- Lifetime 30.000 hours @  $T_a = +25^{\circ}\text{C}$
- Assembly must not damage or destroy conducting paths on the circuit board.
- Serial connection is not recommended. Unbalanced voltage drop can cause hazardous overload and damage the LED module.
- Please ensure that the power supply is of adequate power to operate the total load.
- LED inside the chain are not replaceable.
- The cables in this product are not replaceable.
- Installation of LED modules (with power supplies) needs to be made with regard to all applicable electrical and safety standards.
- Only qualified personnel should be allowed to perform installations.
- Drawings and dimensions are only to be used as indication, please contact us for exact measurements and tolerances.
- Typical performance data are subject to change without any further notice.





# SPOTLIGHTS

OUTDOOR / UNDERWATER

## RIGA indoor PRODUCT OVERVIEW

### tabella di riepilogo prodotti/ product overview table

codice/ code	colore/ colour	tipo/ type	potenza/ power	caratteristiche/ specifications	ottica/ optic	tipo di LED/ LED type	materiale/ material	fissaggio/ fixation	IP/ IP
MRIG04500065RE	RGB	esterni/ outdoor	38 W	L= 500cm	trasparente/ transparent	nastro LED media emissione LED strip medium emission	Resina poliuretana/ Polyurethane resin	Nastro 3M/ 3M tape	65