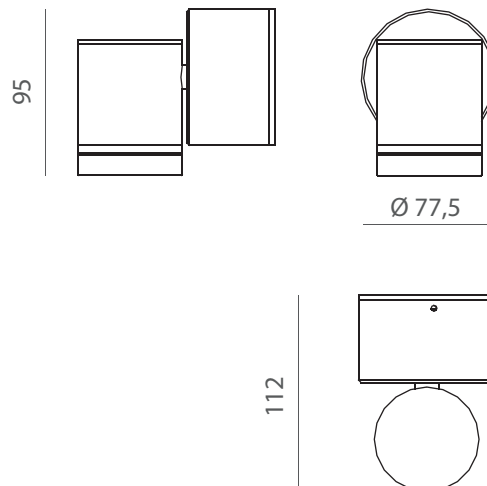


MGIE0903F306AN
MGIE09034306AN
MGIE09037306AN



(mm)

		3,6W		IP65		max 35 °C -20 °C			
--	--	------	--	------	--	---------------------	--	--	--

Finiture:
- anodizzazione nera
Finishing:
- black anodization



ILTI LUCE
MGIE0903_306AN

This luminaire contains built-in LED lamps.

LED

The lamps cannot be changed in the luminaire.

874/2012

General Information	Caractéristiques Générales	Allgemeine Informationen	Informazioni generali	
Material	Matériaux	Materialien	Materiali	anodized aluminum
Number of light sources	Nombre de Source(s)	Anzahl Lichtquellen	Numero sorgenti lum.	3 x LED
Fixing system	Système de fixation	Befestigungssystem	Sistema di fissaggio	screws
Driver included	Driver intégré	Treiber inklusive	Driver incluso	NO
Protection class IEC	Classe électrique	Schutzklasse	Classe di isolamento	III
IP code	IP	Schutzart	Grado IP	IP65
IK code	IK	Schlagfestigkeit (IK)	Grado IK	/
Optic type	Optique	Optik	Ottica	10° - 25° - 40°
Cable	Câble	Kabel	Cavo	2 m
Dimmable	Gradable	Dimmbar	Dimmerabile	/
European Community mark	Marquage CE	CE-Zeichen	Marchio comunità europea	CE
Lifetime to 80% luminous flux	Durée vie 80% flux lumineux	Lebensdauer bis 80% Lichtstrom	Durata funzion. (80% flusso)	30 000 h
Weight (kg)	Poids (kg)	Gewicht (kg)	Peso (Kg)	0,56 kg
Electrical	Caractéristiques Electriques	Elektrische Kenndaten	Corrente	
Input voltage	Tension d'alimentation	Netzspannung	Tensione di alimentazione	350 mA
Initial performances	Performances initiales	Anfängliche Leistung	Performance iniziali	
Initial input power	Initial input power	Systemleistung	Potenza di sistema	3,6 W
Initial luminous flux	Initial luminous flux	Lichtstrom	Flusso luminoso iniziale	/
Initial LED luminaire efficacy	Initial LED luminaire efficacy	Effizienz	Efficienza luminosa iniziale	/
Init. Corr. Color Temperature	Init. Corr. Color Temperature	Farbtemperatur	Temperatura colore lampada	RGB
CRI	IRC	CRI	CRI	/
Application conditions	Conditions d'application	Einsatzbedingungen	Condizioni applicazione	
Ambient temperature range	Température ambiante	Umgebungstemperatur	Temperatura ambiente	max.+35 °C / min. -20 °C

Disponibile in versione certificata ETL (Stati Uniti / Canada) su richiesta. / ETL (US / Canada) certified version available on demand.