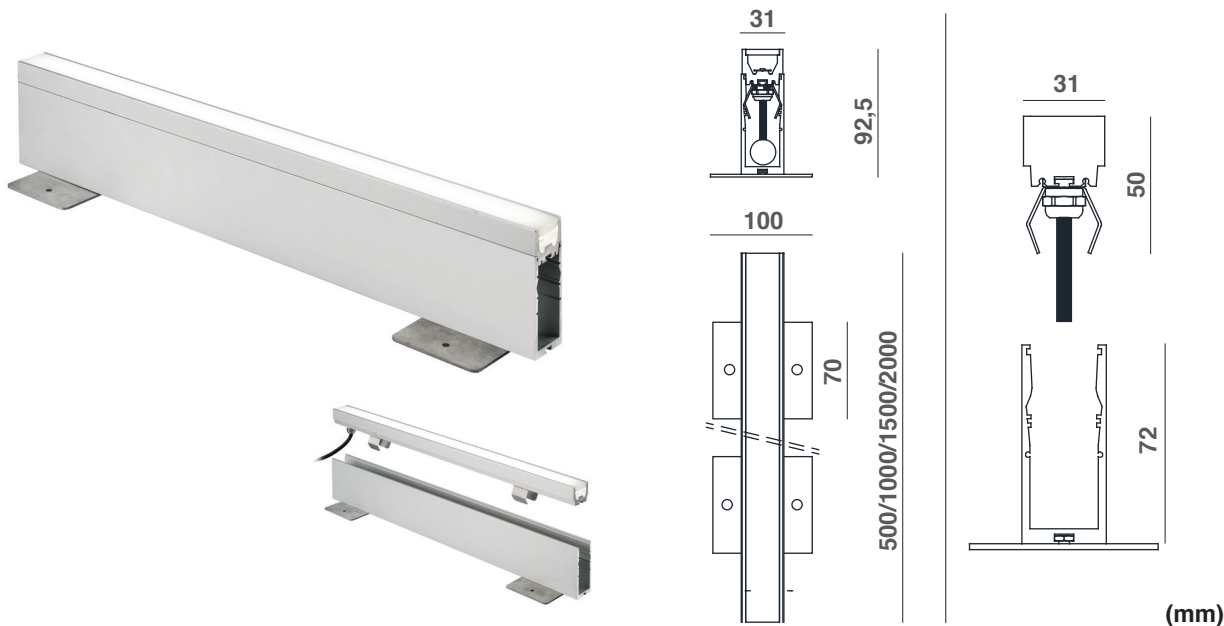


BWLK0205G040AA
BWLK0205G04NAA
BWLK0205G04WAA
BWLK0210G040AA
BWLK0210G04NAA
BWLK0210G04WAA
BWLK0215G040AA
BWLK0215G04NAA
BWLK0215G04WAA
BWLK0220G040AA
BWLK0220G04NAA
BWLK0220G04WAA



		24V	15w/m		IP65/67		500Kg		max 35°C -20°C																			
Finiture: - resinatura opale / anodizzazione naturale Finishing: - opal resin / natural anodization		<table border="1"> <thead> <tr> <th colspan="3">1m - Neutral White</th> </tr> <tr> <th>Offset(m)</th> <th>Cone width (m)</th> <th>Illuminance(lx)</th> </tr> </thead> <tbody> <tr> <td>1,00</td> <td>3,00</td> <td>225</td> </tr> <tr> <td>2,00</td> <td>6,00</td> <td>55</td> </tr> <tr> <td>3,00</td> <td>9,00</td> <td>25</td> </tr> <tr> <td>4,00</td> <td>12,00</td> <td>14</td> </tr> </tbody> </table>									1m - Neutral White			Offset(m)	Cone width (m)	Illuminance(lx)	1,00	3,00	225	2,00	6,00	55	3,00	9,00	25	4,00	12,00	14
1m - Neutral White																												
Offset(m)	Cone width (m)	Illuminance(lx)																										
1,00	3,00	225																										
2,00	6,00	55																										
3,00	9,00	25																										
4,00	12,00	14																										

ILTI LUCE
BWLK02_G04_AA

This luminaire contains built-in LED lamps.

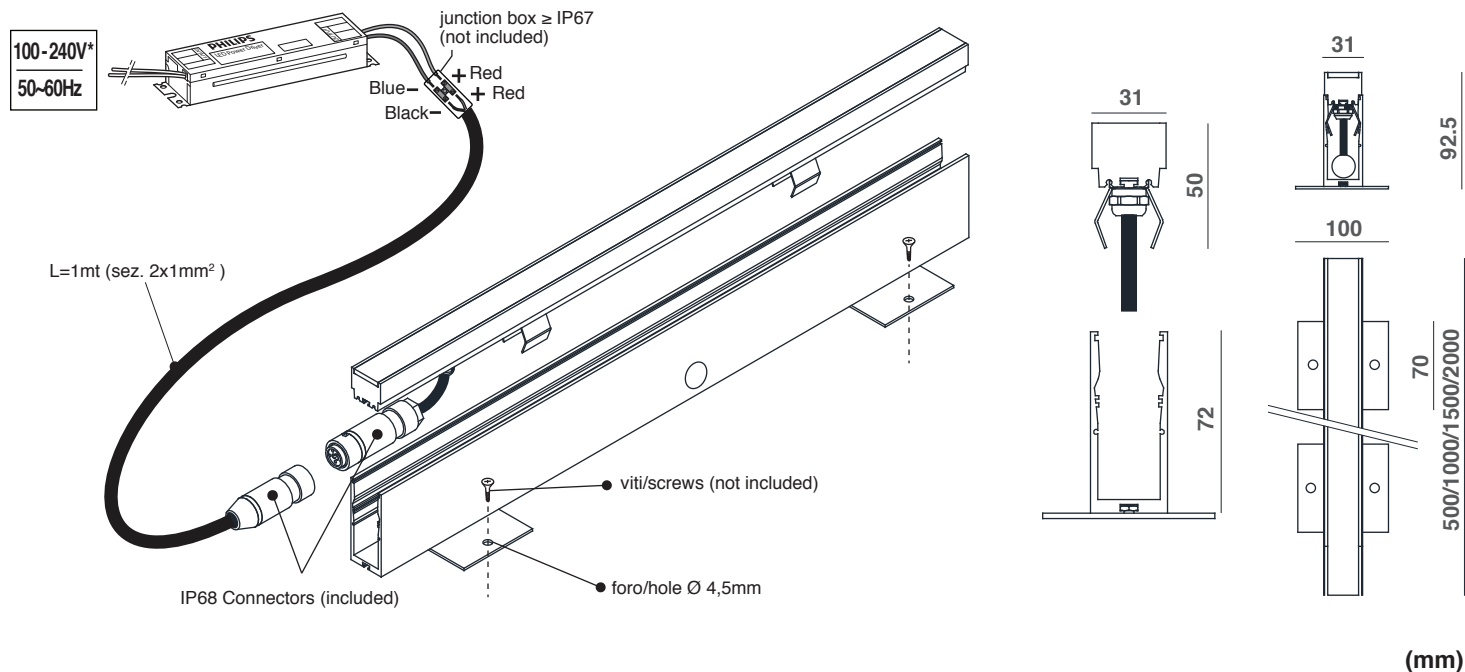
LED

A++
A+
A
B
C
D
E

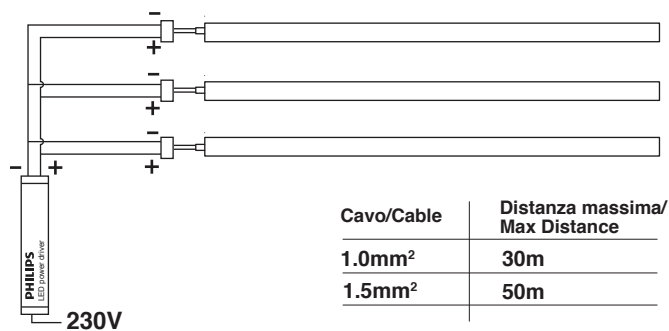
The lamps cannot be changed in the luminaire.

874/2012

General Information	Caractéristiques Générales	Allgemeine Informationen	Informazioni generali	
Material	Matériaux	Materialien	Materiali	aluminium
Number of light sources	Nombre de Source(s)	Anzahl Lichtquellen	Numero sorgenti lum.	240 LED/m
Fixing system	Système de fixation	Befestigungssystem	Sistema di fissaggio	ground recessed box
Driver included	Driver intégré	Treiber inklusive	Driver incluso	NO
Protection class IEC	Classe électrique	Schutzklasse	Classe di isolamento	III
IP code	IP	Schutzart	Grado IP	IP65/67
IK code	IK	Schlagfestigkeit (IK)	Grado IK	/
Optic type	Optique	Optik	Ottica	diffuse
Cable	Câble	Kabel	Cavo	1m
Dimmable	Gradable	Dimmbar	Dimmerabile	1...10V - DALI - DMX
European Community mark	Marquage CE	CE-Zeichen	Marchio comunità europea	CE
Lifetime to 80% luminous flux	Durée vie 80% flux lumineux	Lebensdauer bis 80% Lichtstrom	Durata funzion. (80% flusso)	30 000 h
Weight (kg)	Poids (kg)	Gewicht (kg)	Peso (Kg)	/
Electrical	Caractéristiques Electriques	Elektrische Kenndaten	Corrente	
Input voltage	Tension d' alimentation	Netzspannung	Tensione di alimentazione	24 V
Initial performances	Performances initiales	Anfängliche Leistung	IPerformance iniziali	
Initial input power	Initial input power	Systemleistung	Potenza di sistema	15 W/m
Initial luminous flux	Initial luminous flux	Lichtstrom	Flusso luminoso iniziale	670 lm/m
Initial LED luminaire efficacy	Initial LED luminaire efficacy	Effizienz	Initial LED luminaire efficacy	45 lm/W ca
Init. Corr. Color Temperature	Init. Corr. Color Temperature	Farbtemperatur	Temperatura colore lampada	WW/NW/CW
CRI	IRC	CRI	CRI	> 80
Application conditions	Conditions d'application	Einsatzbedingungen	Condizioni applicazione	
Ambient temperature range	Température ambiante	Umgebungstemperatur	Temperatura ambiente	min. -20 °C / max. +35 °C



Esempio di collegamento (connessione in parallelo) Example of connection (parallel connection)



* Verificare la tensione di ingresso supportata dagli alimentatori / Verify the input tension supported from drivers

Alimentatori/ LED Drivers

Codice/Code non inclusi/not included	Caratteristiche/ Specifications
WALIMLED020/24	20W - 24V
WALIM40W24V	40W - 24V
WALIM60W24V	60W - 24V
WALIMLED100/24	100W - 24V
WALIMLED240/24	240W - 24V
WALIM/DIMM/JOLLY	20W - 24V dimm.
WBOKVAR	variatore/dimmer 1/10V
WBOKOTDIM	dimmer (120W max)*

* necessita di alimentatore/needs driver



GENERALI / GENERALS
CABLAGGIO / WIRING

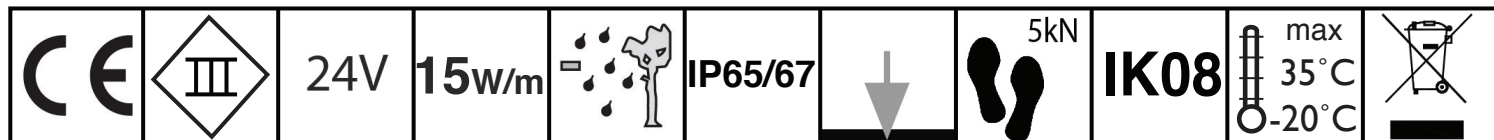
- In caso di guasti, previa autorizzazione al reso di ILTI Luce, il prodotto non dovrà essere aperto, il pressacavo non deve essere smontato e il cavo deve essere tagliato lasciandone almeno 10/15cm.
- In case of failure, upon a return authorization of ILTI LUCE, the product will not have to be opened, the cable gland must not be removed and the cable must be cut leaving at least 10/15cm
- Collegare l'apparecchio all'alimentatore e poi connettere l'alimentatore al 220V.
- Connect the fitting to the feeder and then connect the feeder at 220V.



SMALTIMENTO/
DISPOSAL

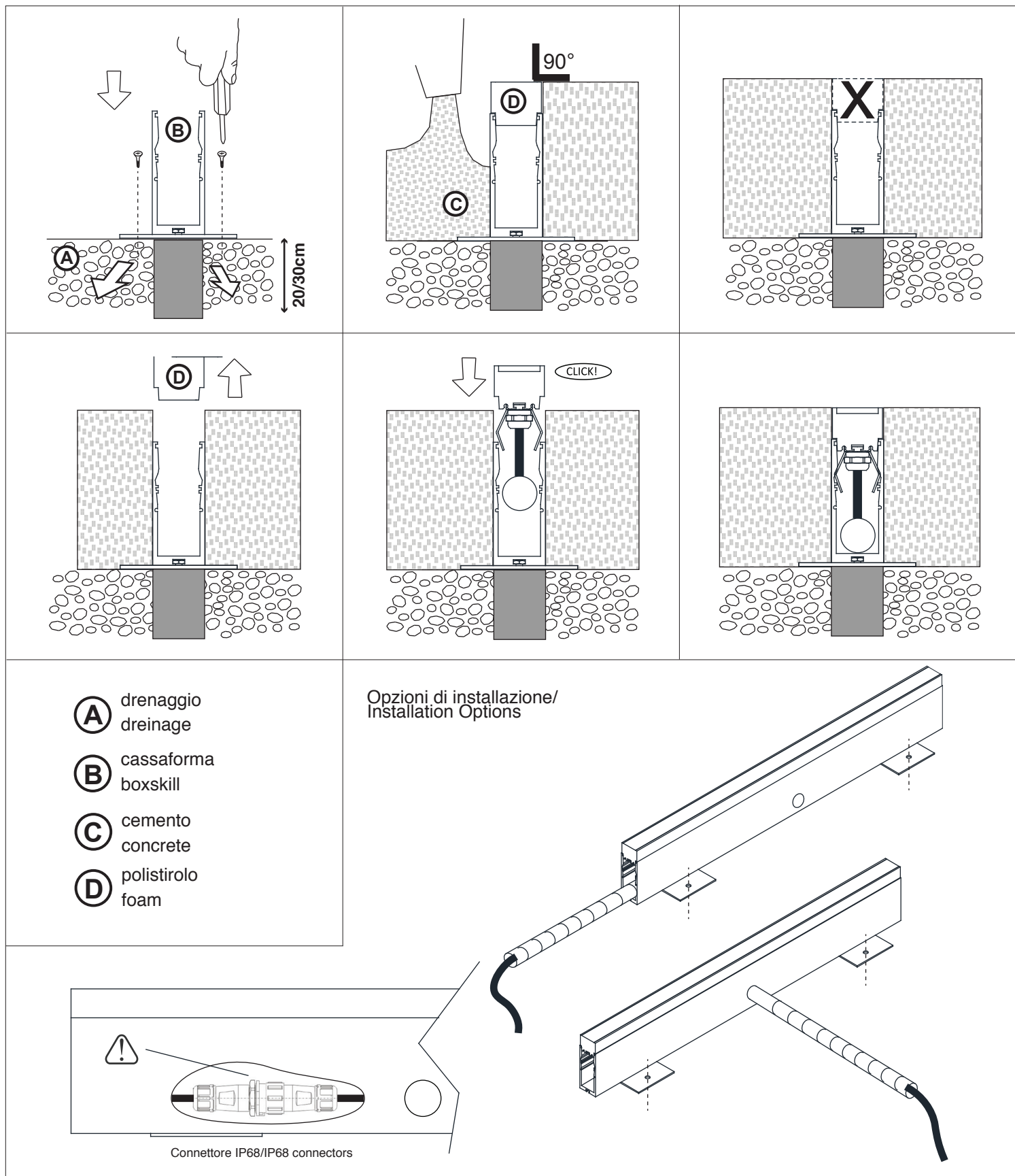
- Effettuare il cablaggio usando un sistema che garantisca almeno il grado IP della lampada.
- Make the wiring using a system that guarantees at least the IP grade of the lamp.

- Secondo la direttiva comunitaria WEEE (Waste Electrical and Electronic Equipment) l'apparecchio non può essere smaltito con i rifiuti indifferenziati. Deve essere portato nelle strutture locali per lo smaltimento ed il riciclaggio dei prodotti elettronici.
- In accordance with EU Directive WEEE (Waste Electrical and Electronic Equipment), luminaires must not be disposed of with other household waste. At the end of their life, luminaires must be taken to the appropriate local facility available for the disposal or recycling of electronic products.

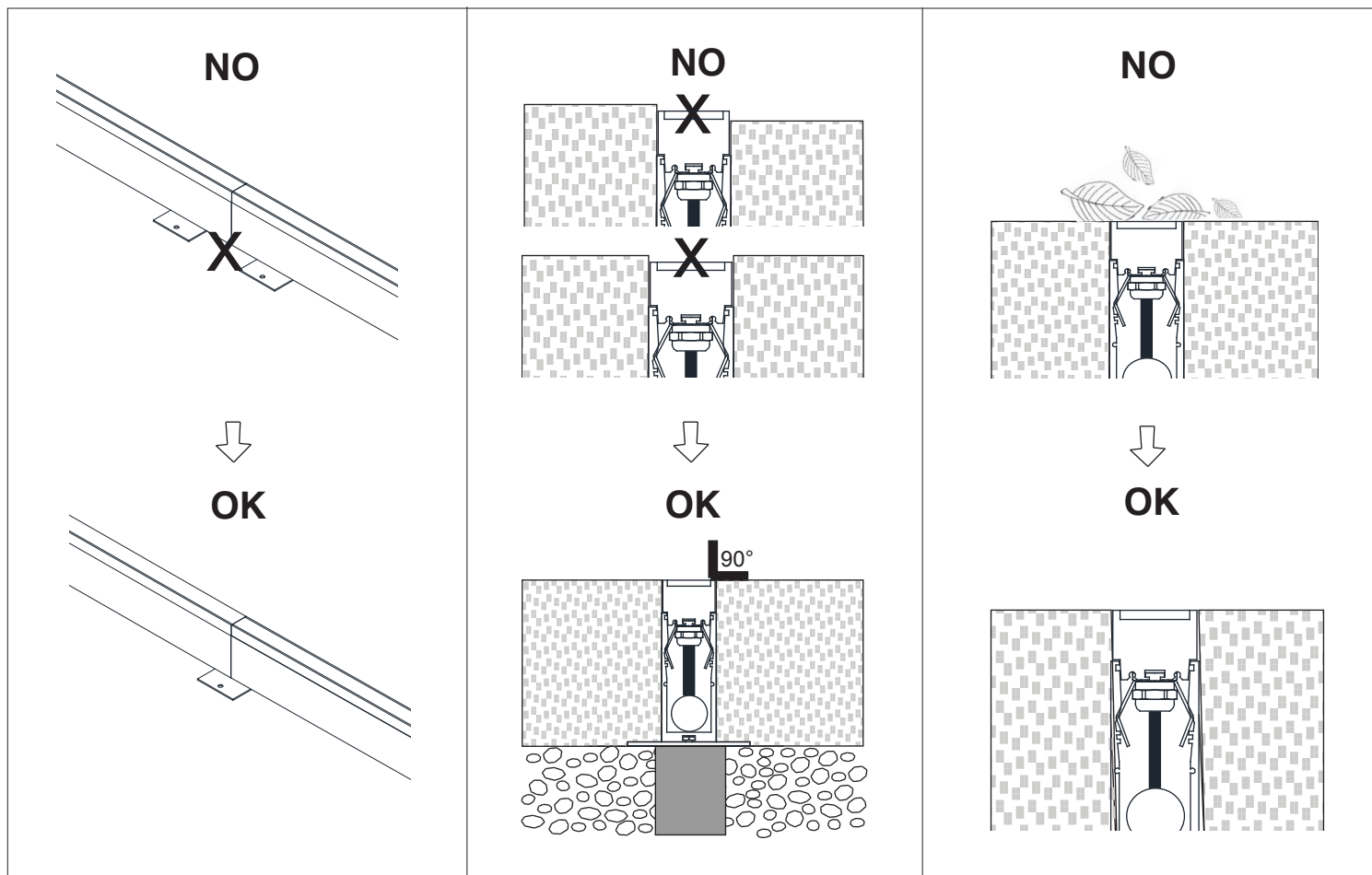


si consiglia la conservazione delle seguenti istruzioni - we suggest you to keep this copy for your files

IP67 application

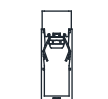
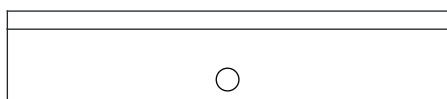


si consiglia la conservazione delle seguenti istruzioni - we suggest you to keep this copy for your files

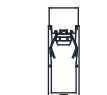
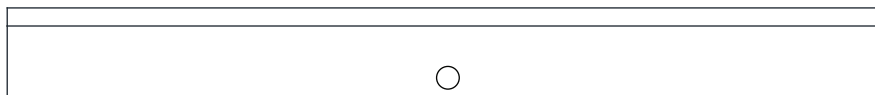


Dimensioni/Dimensions

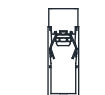
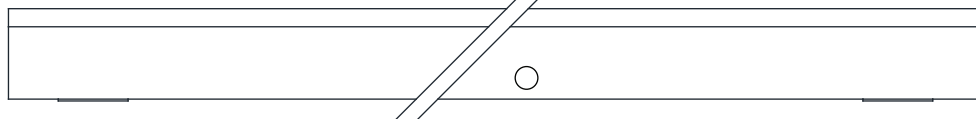
L=50cm



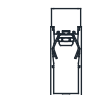
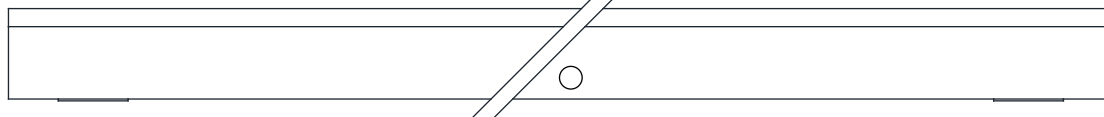
L=100cm



L=150cm



L=200cm



si consiglia la conservazione delle seguenti istruzioni - we suggest you to keep this copy for your files

BWLK0210G04NAA

download 

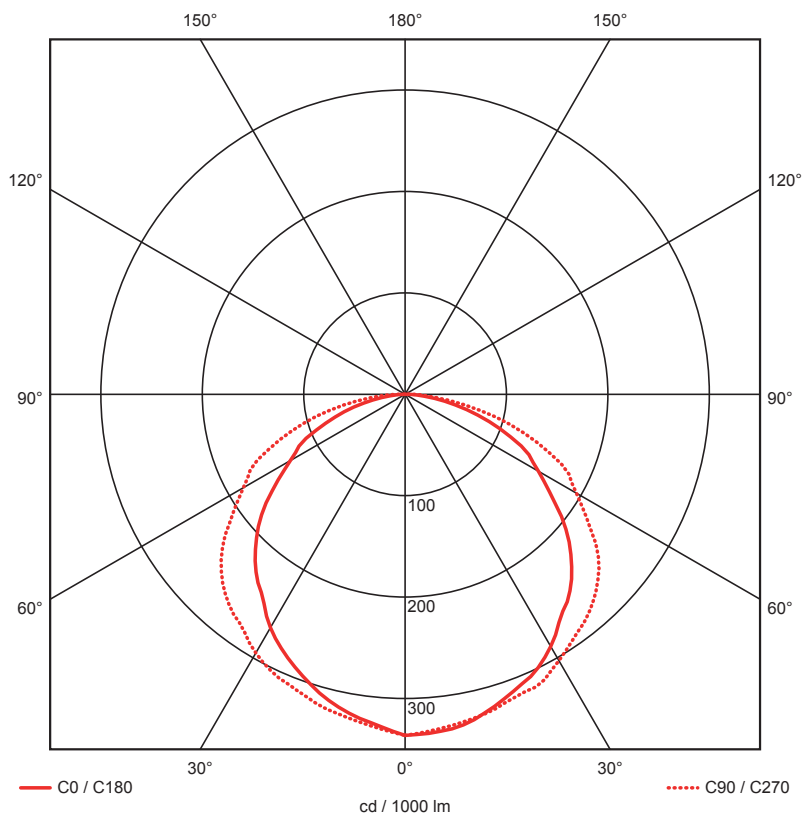


tabella di riepilogo prodotti/ product overview table

codice/ code	colore/ colour	tipo/ type	potenza/ power	caratteristiche/ specifications	fascio ottico/ optic beam	ottica/ optic	tipo di LED/ LED type	materiale/ material	fissaggio/ fixation	IP/ IP
BWKL0205G040AA	cool white	esterni/ outdoor	7,5W	L= 50cm	schermo opale/ opal screen	fissa/ fixed	nastro LED alta emissione/ LED strip high emission	alluminio/ aluminum	cassaforma/ recessed box	65/67
BWKL0205G04NAA	neutral white	esterni/ outdoor	7,5W	L= 50cm	schermo opale/ opal screen	fissa/ fixed	nastro LED alta emissione/ LED strip high emission	alluminio/ aluminum	cassaforma/ recessed box	65/67
BWKL0205G04WAA	warm white	esterni/ outdoor	7,5W	L= 50cm	schermo opale/ opal screen	fissa/ fixed	nastro LED alta emissione/ LED strip high emission	alluminio/ aluminum	cassaforma/ recessed box	65/67
BWKL0210G040AA	cool white	esterni/ outdoor	15W	L= 100cm	schermo opale/ opal screen	fissa/ fixed	nastro LED alta emissione/ LED strip high emission	alluminio/ aluminum	cassaforma/ recessed box	65/67
BWKL0210G04NAA	neutral white	esterni/ outdoor	15W	L= 100cm	schermo opale/ opal screen	fissa/ fixed	nastro LED alta emissione/ LED strip high emission	alluminio/ aluminum	cassaforma/ recessed box	65/67
BWKL0210G04WAA	warm white	esterni/ outdoor	15W	L= 100cm	schermo opale/ opal screen	fissa/ fixed	nastro LED alta emissione/ LED strip high emission	alluminio/ aluminum	cassaforma/ recessed box	65/67
BWKL0215G040AA	cool white	esterni/ outdoor	22,5W	L= 150cm	schermo opale/ opal screen	fissa/ fixed	nastro LED alta emissione/ LED strip high emission	alluminio/ aluminum	cassaforma/ recessed box	65/67
BWKL0215G04NAA	neutral white	esterni/ outdoor	22,5W	L= 150cm	schermo opale/ opal screen	fissa/ fixed	nastro LED alta emissione/ LED strip high emission	alluminio/ aluminum	cassaforma/ recessed box	65/67
BWKL0215G04WAA	warm white	esterni/ outdoor	22,5W	L= 150cm	schermo opale/ opal screen	fissa/ fixed	nastro LED alta emissione/ LED strip high emission	alluminio/ aluminum	cassaforma/ recessed box	65/67
BWKL0220G040AA	cool white	esterni/ outdoor	30W	L= 200cm	schermo opale/ opal screen	fissa/ fixed	nastro LED alta emissione/ LED strip high emission	alluminio/ aluminum	cassaforma/ recessed box	65/67
BWKL0220G04NAA	neutral white	esterni/ outdoor	30W	L= 200cm	schermo opale/ opal screen	fissa/ fixed	nastro LED alta emissione/ LED strip high emission	alluminio/ aluminum	cassaforma/ recessed box	65/67
BWKL0220G04WAA	warm white	esterni/ outdoor	30W	L= 200cm	schermo opale/ opal screen	fissa/ fixed	nastro LED alta emissione/ LED strip high emission	alluminio/ aluminum	cassaforma/ recessed box	65/67