

40233/**/P7

Gebruiksaanwijzing

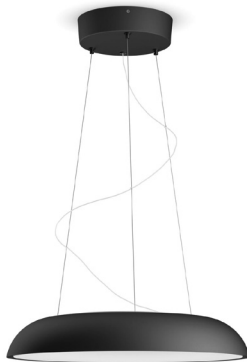
Notice d'emploi

Benutzerhandbuch

User manual

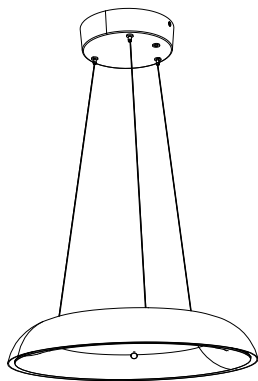
Manual de usuario

Manual do usuário

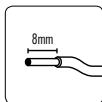
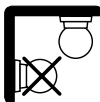
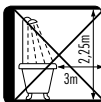
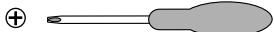
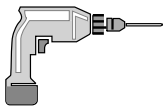


PHILIPS

Incl.

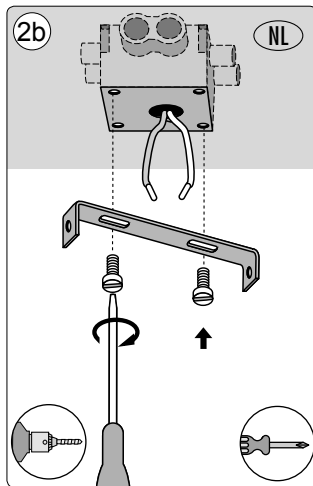
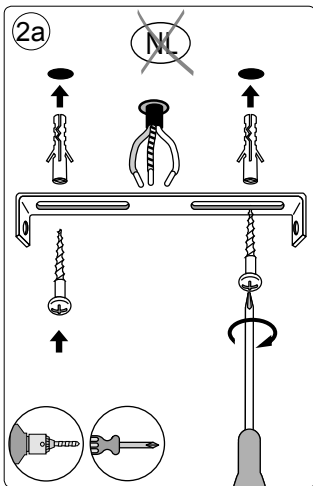
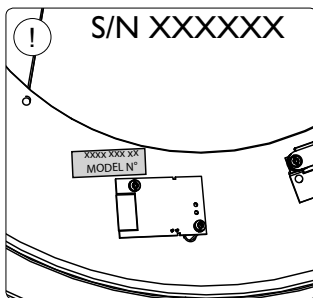
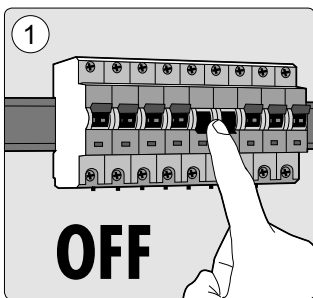


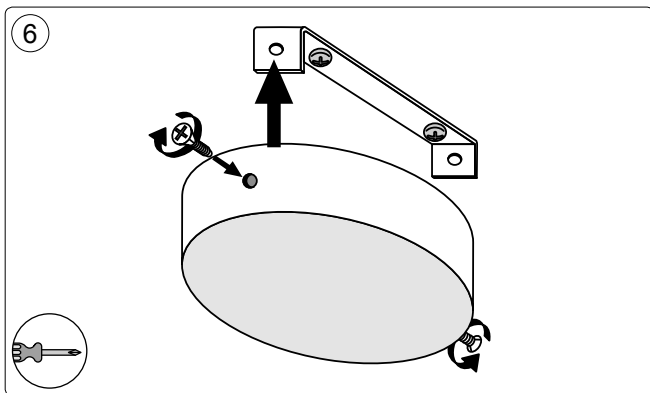
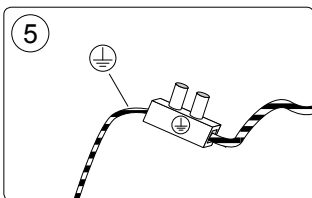
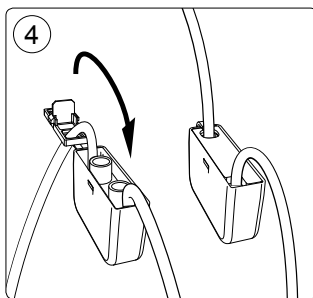
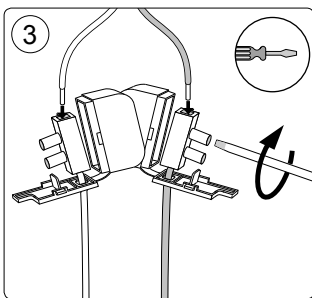
Excl.

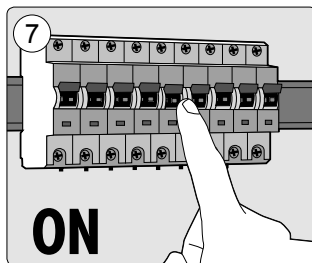
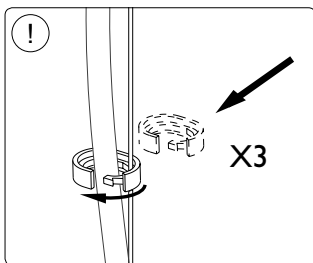
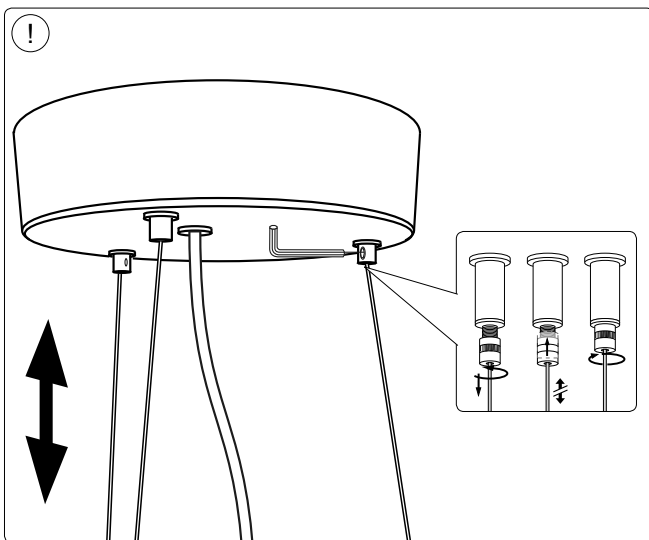


www.meethue.com/getstarted











Philips Lighting Contact Centre
Int. Business Reply Service
I.B.R.S. / C.C.R.I. Numéro 10461
5600 VB Eindhoven
Pays-Bas / The Netherlands

www.meethue.com/getstarted
www.philips.com/homelighting
☎ +800 7445 4775

4404.029.05321
Last update: 07/07/16