

Preliminary version - Subject to change



- Panels must be installed by a qualified electrician in accordance with all national and local electrical and construction codes and regulations.
- Panels must be installed in accordance to the IP40-rating.

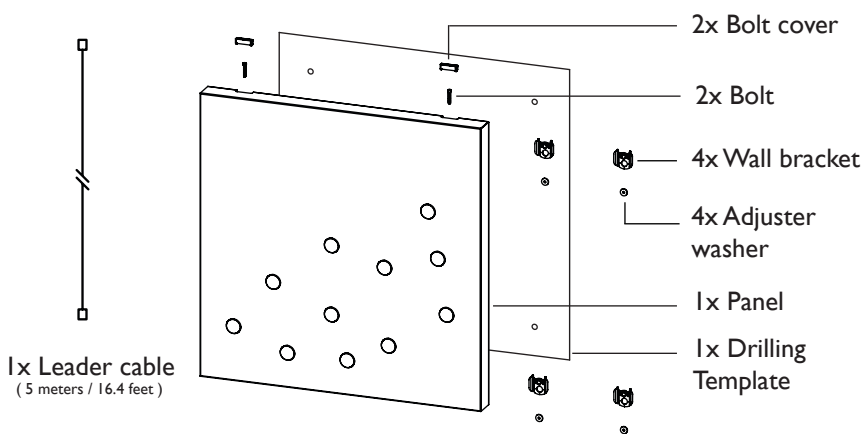


Before installing this product, please contact a Philips Luminous Patterns representative for the latest version of the installation instructions. Due to continuous improvements and innovations, installation instructions may change without notice.

1 Confirm all components are received

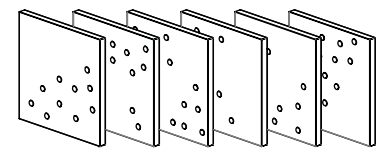


What's in the box (per panel)



Note

- Make sure the total amount of ordered panels is received



Total amount of panels

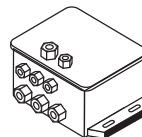


Required peripherals

Note

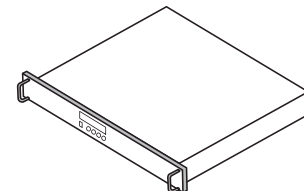
- Panels are powered by a PDS-60ca or sPDS-480ca. Based on the lightstyle of the panel a 7.5v or 24v version is required. These power / data supplies are sold separately.
- Information on how to control the PDS-60ca or sPDS-480ca is found online at <http://www.colorkinetics.com/ls/pds/>

PDS-60ca
12NC: 910503700094



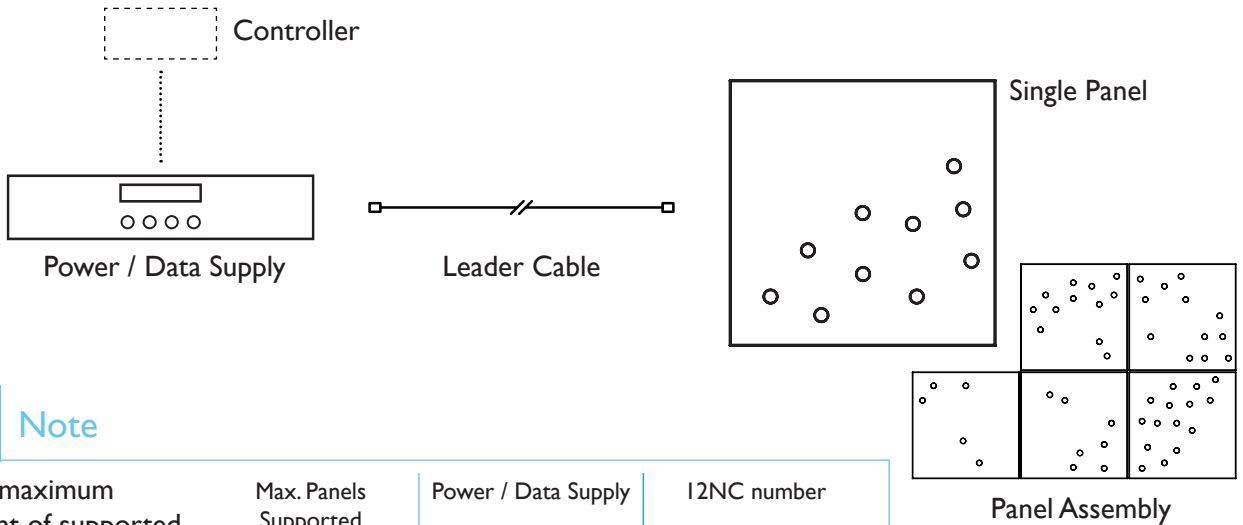
sPDS-480ca
12NC: 910503700107

OR



Power / Data Supply

2 Verify electrical plan



Note

• The maximum amount of supported panel per power / data supply can vary on the mount of light nodes in a panel

Max. Panels Supported	Power / Data Supply	I2NC number
2	PDS-60ca 7.5v	910503700094
16	sPDS-480ca 7.5v	910503700107
2	PDS-60ca 24v	910503700106
8	sPDS-480ca 24v	910503700110

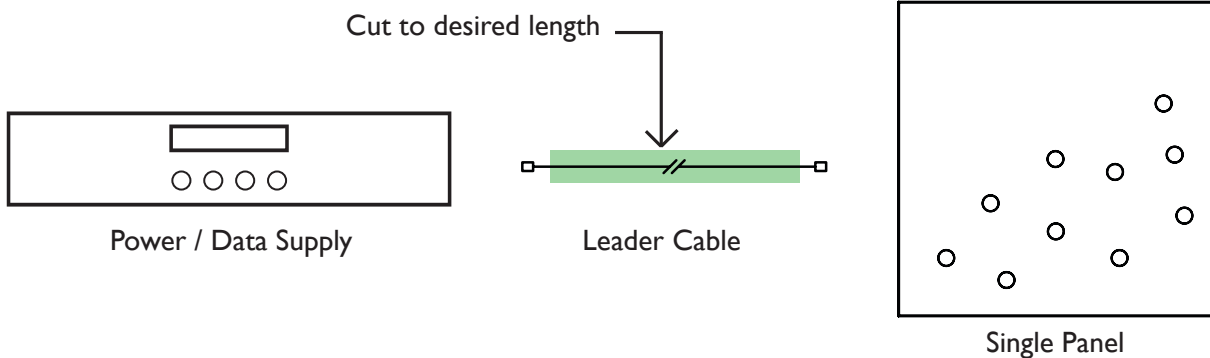
3 Trim for shorter leader cable (optional)

Note

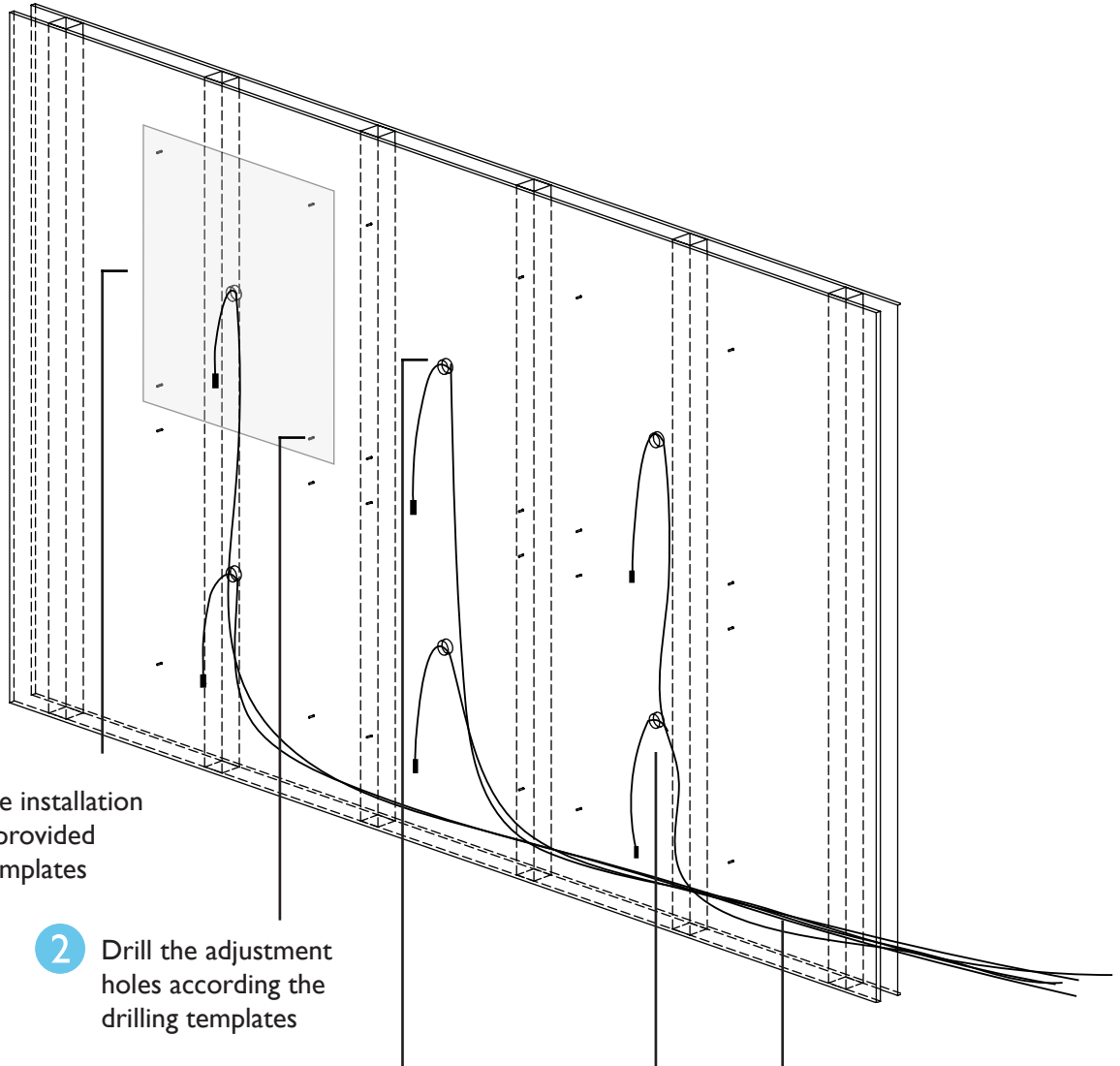
• The leader cable can be cut down to any length when required



• The total cable length between panels and power / data supply may not be more than 15 meters / 50 feet



4 Wire the wall and drill adjustment holes



1 Layout the installation with the provided drilling templates

2 Drill the adjustment holes according the drilling templates

3 Drill wiring holes in the wall of at least 18 mm near the center of the panel's bracket holes

Leader cables

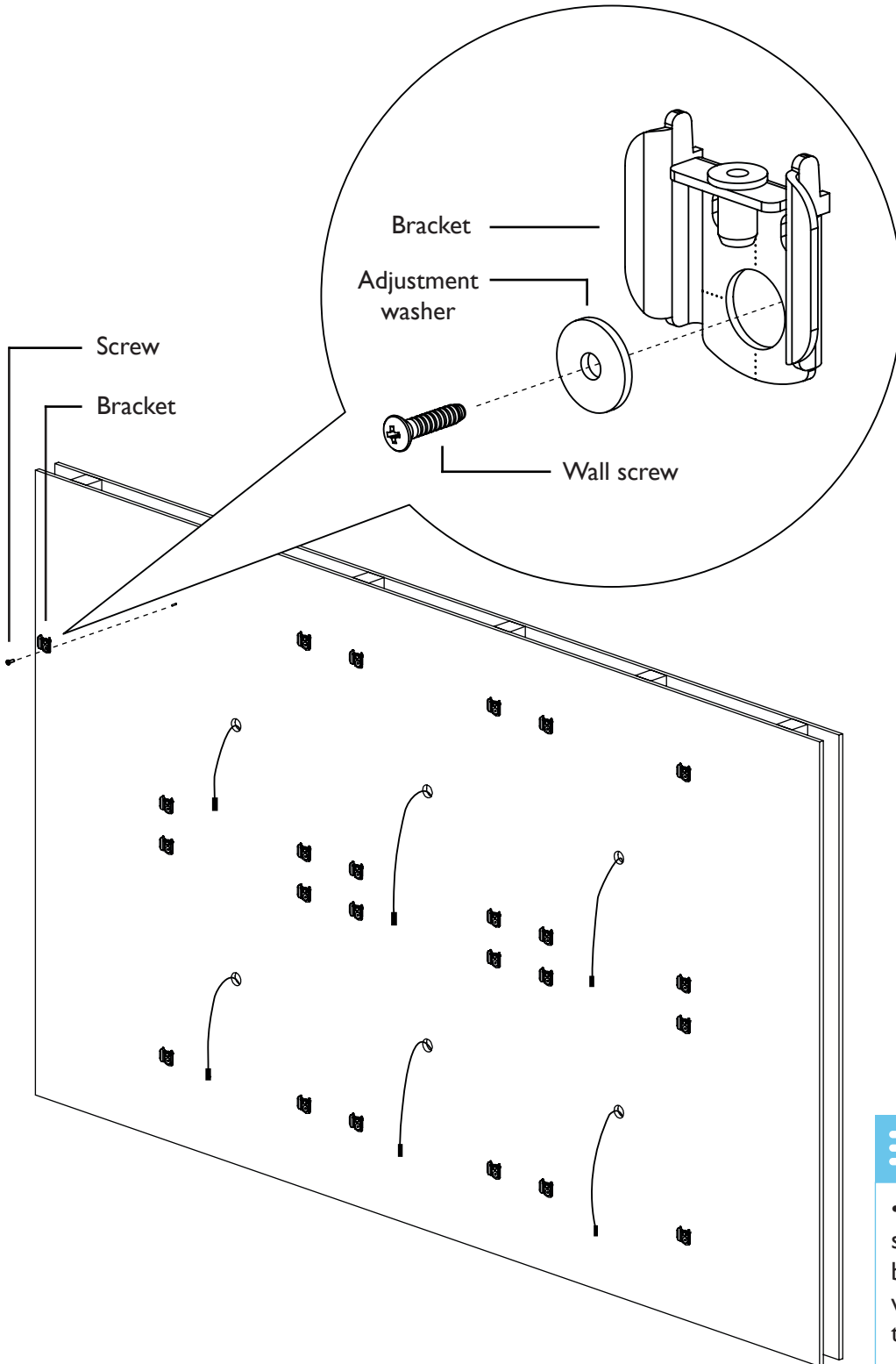
4 Route leader cables through wall



Note

- The specific way of installation varies between mounting surfaces.
- Intallation is the same for wall and ceiling installations

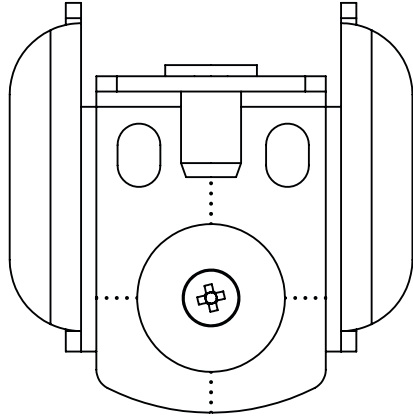
5 Install the brackets (step 1)



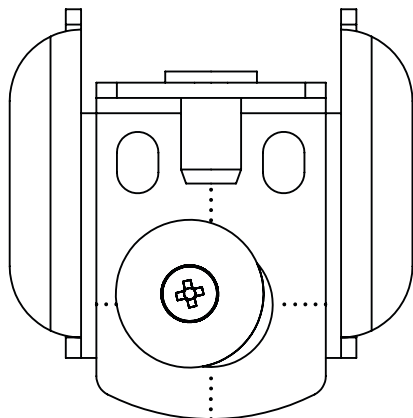
Note

- Mount the brackets as shown. Make sure the brackets are installed within a +/- 4 mm tolerance

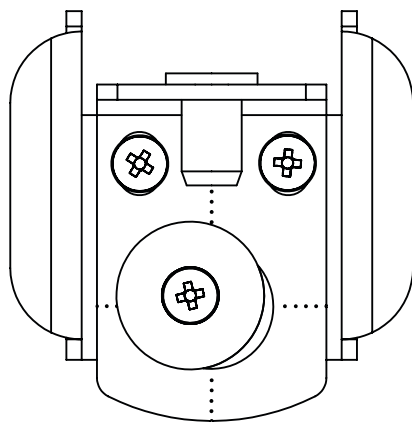
5 Install the brackets (step 2)



- 1 Mount brackets to the wall by only using the adjustment hole

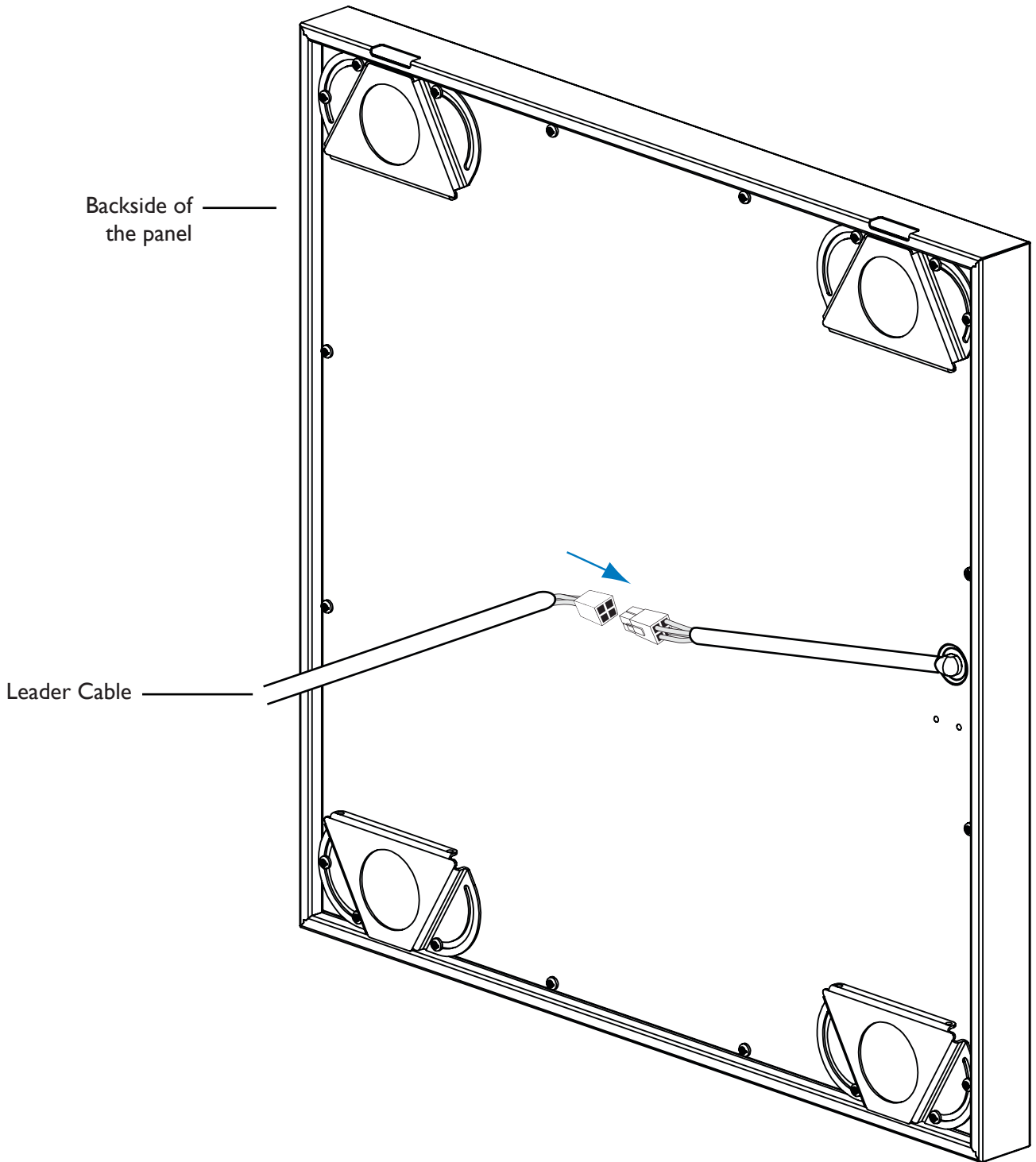


- 2 Adjust the brackets to match the exact measurements on the provided installation drawing. The markings on the bracket are spaced by 1 mm increments. Test the alignment of the brackets by mounting the panels as shown in step 7 of this installation manual

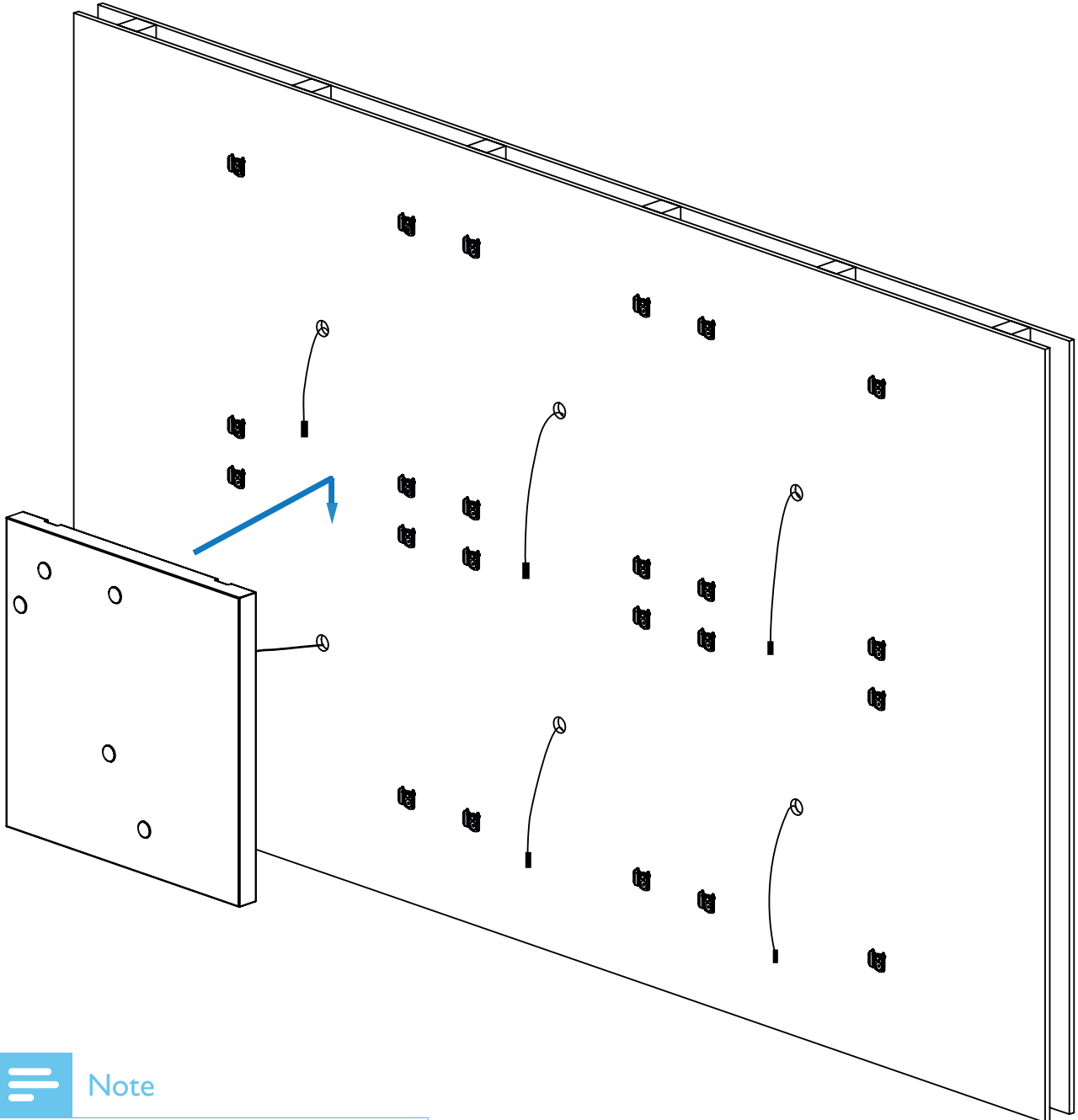


- 3 When alignment is satisfactory, secure the brackets to the wall by using the top two securing holes according to local construction codes and regulations associated with the wall type

6 Connect leader cable to the panel



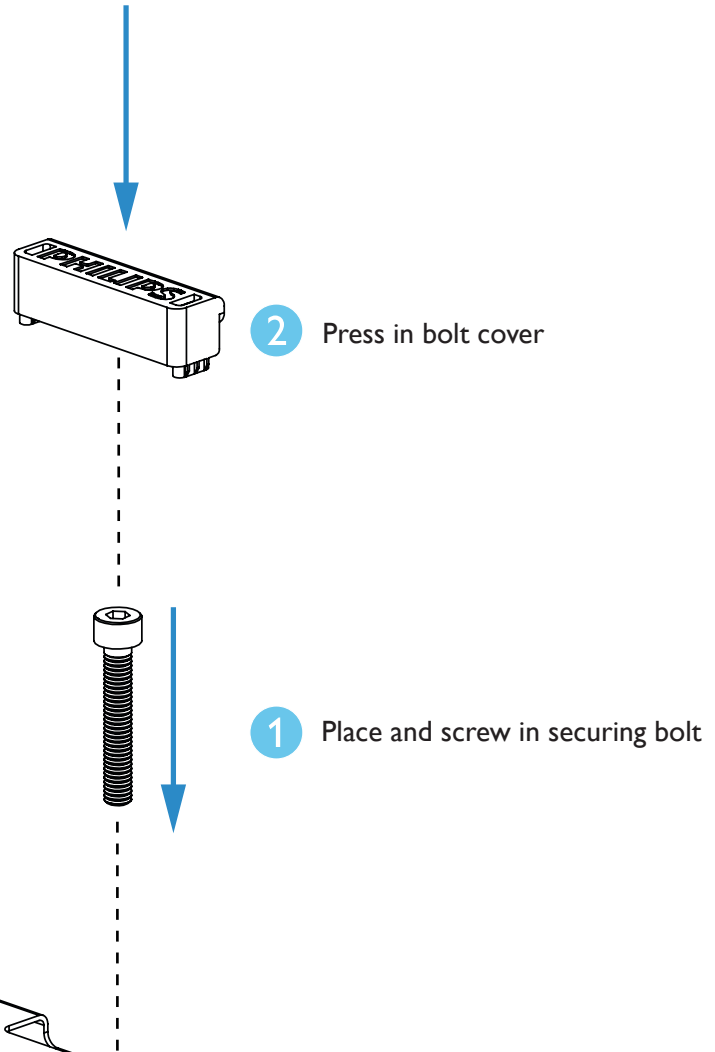
7 Mount the panels



Note

- Install panels from the bottom up as default.
- When additionally provided mounting order instructions are included, this should be followed.

8 Securing panels



Note

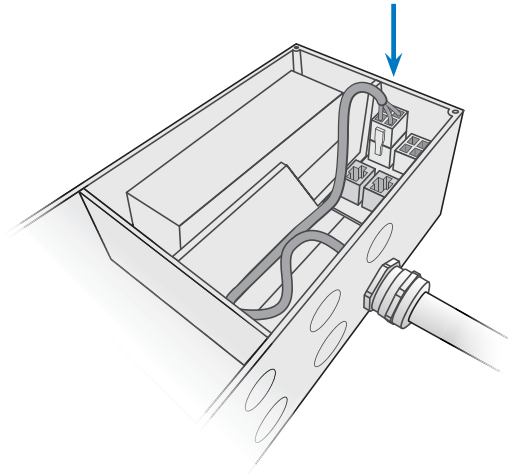
- Bolt cover can be removed by placing a flat screw driver in the openings on either side and pulling it out

9 Connect to the Power / Data Supply

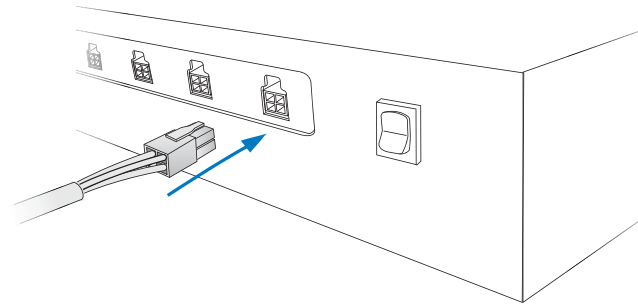


Make sure power is OFF

PDS-60ca



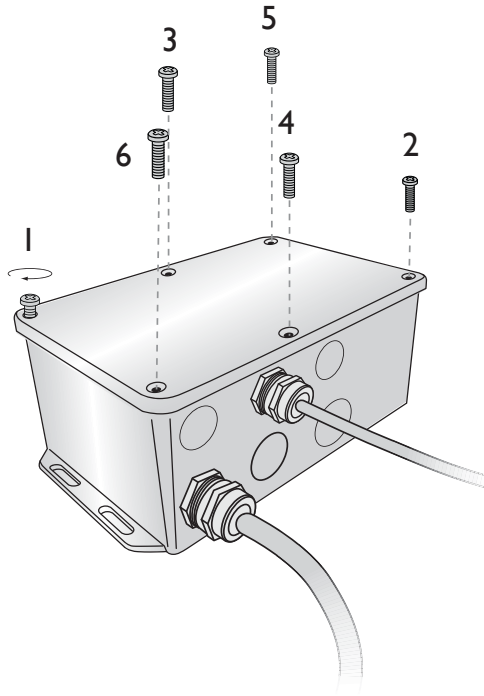
sPDS-480ca



Note

- Refer to applicable installation instructions for specific mounting and wiring instructions.
- To waterproof the PDS-60ca the leader cable needs to be fed through a waterproof conduit. The leader cable needs to be split to do so.

10 Mount covers and secure connections (for PDS-60ca only)



11 Turn Power ON



Address and Configure

www.colorkinetics.com/support/addressing/



© 2015 Philips Lighting Netherlands
All rights reserved