

Luminous Patterns Panels

Installation Instructions (English)

All sizes between 400 mm x 400 mm and 1800 mm x 600 mm



- Panels must be installed by a qualified electrician in accordance with all national and local electrical and construction codes and regulations.
- Panels must be installed in accordance to the IP40-rating.

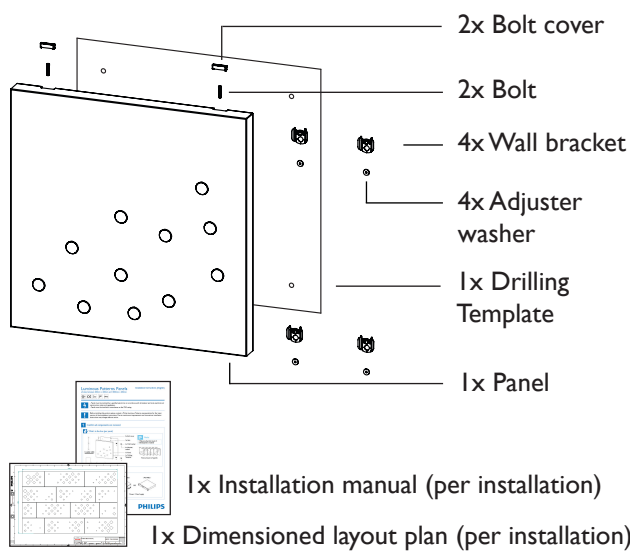


Before installing this product, please contact a Philips Luminous Patterns representative for the latest version of the installation instructions. Due to continuous improvements and innovations, installation instructions may change without notice.

1 Confirm all components are received

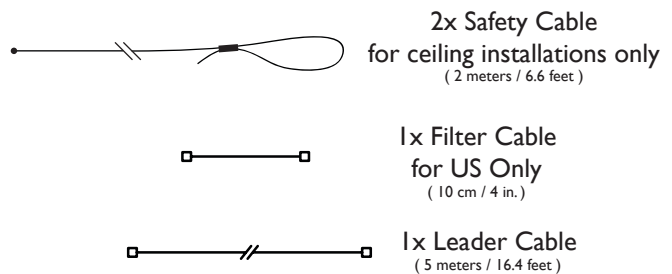


What's in the box (per panel)



Note

- Use gloves when handling panels
- Installation should be done with at least 2 people
- Make sure the total amount of ordered panels is received using the dimensioned layout plan



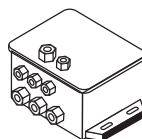
Required peripherals



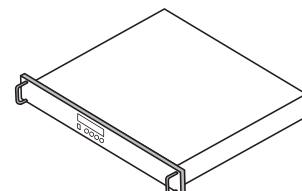
Note

- Panels are powered by a PDS-60ca or sPDS-480ca. Based on the light style of the panel a 7.5v or 24v version is required. These power / data supplies are sold separately.
- Information on how to control the PDS-60ca or sPDS-480ca is found online at <http://www.colorkinetics.com/ls/pds/>

PDS-60ca



sPDS-480ca

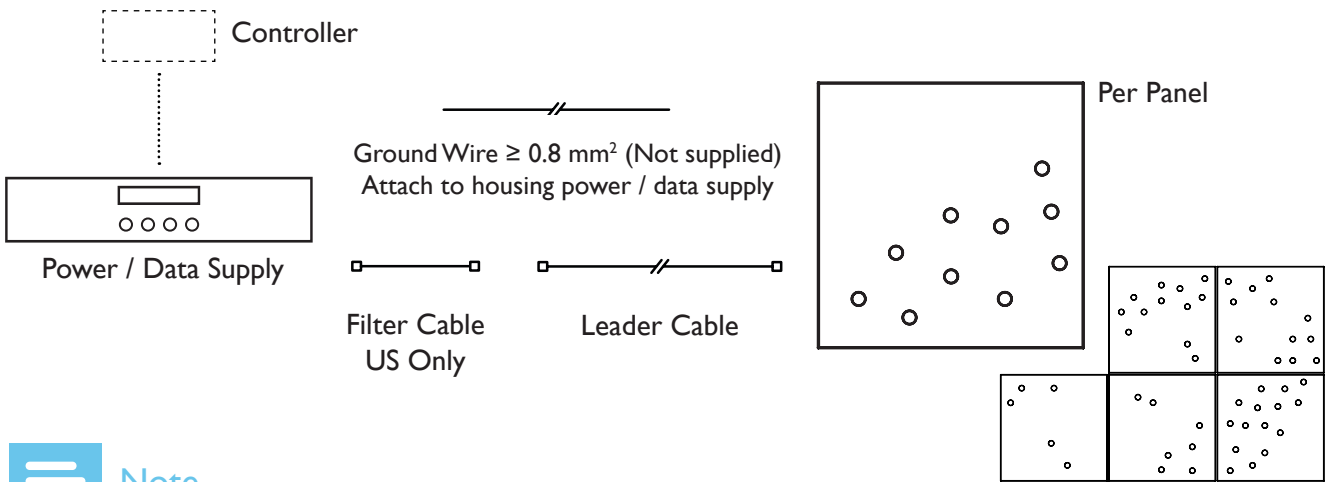


OR

Power / Data Supply

PHILIPS

2 Verify electrical plan



Note

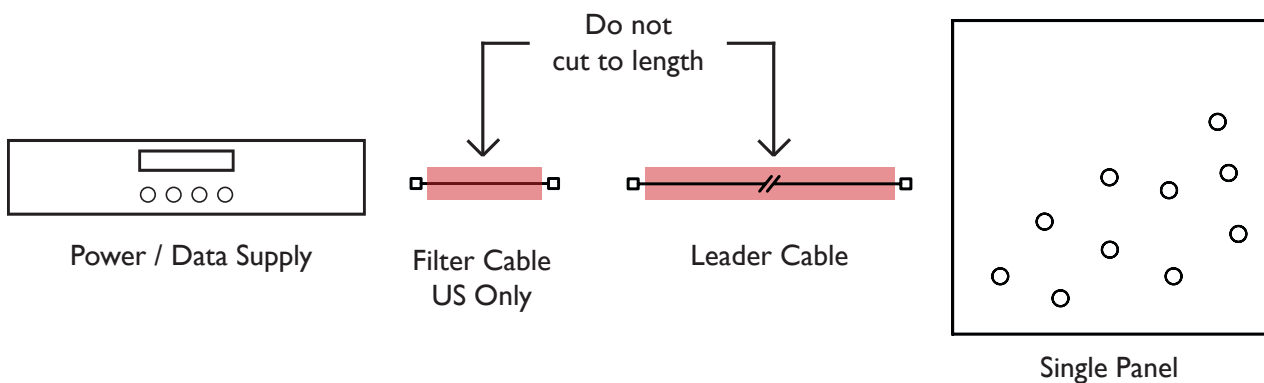
- The maximum amount of supported panels per power / data supply varies on the amount of light nodes in a panel

Max. Panels Supported	Power / Data Supply	I2NC number
2	PDS-60ca 7.5v DMX / Ethernet	910503700094
16	sPDS-480ca 7.5v	910503700107
2	PDS-60ca 24v DMX	910503700333
2	PDS-60ca 24v Ethernet	910503700334
8	sPDS-480ca 24v	910503700110

3 Max length of the leader cable



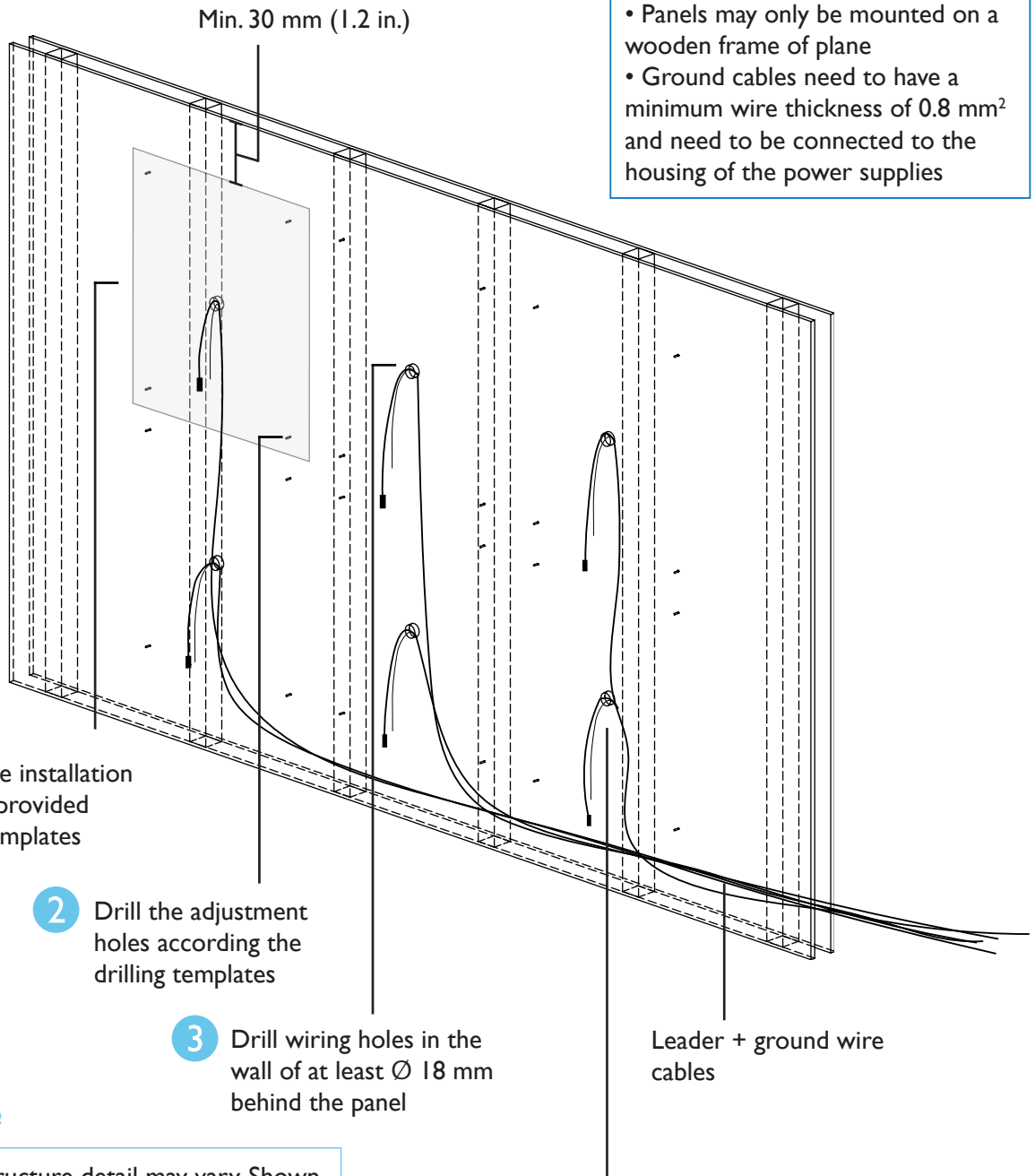
- The total cable length between panels and power / data supply may not be more than 10 meters (33 feet)
- Do not cut the leader cable or filter to length



4 Wire the wall and drill adjustment holes



- A minimum clearance of 30 mm is required at the top of a panel
- Panels may only be mounted on a wooden frame of plane
- Ground cables need to have a minimum wire thickness of 0.8 mm² and need to be connected to the housing of the power supplies



1 Layout the installation with the provided drilling templates

2 Drill the adjustment holes according to the drilling templates

3 Drill wiring holes in the wall of at least \varnothing 18 mm behind the panel

Leader + ground wire cables

4 Route leader and ground wire cables through the wall



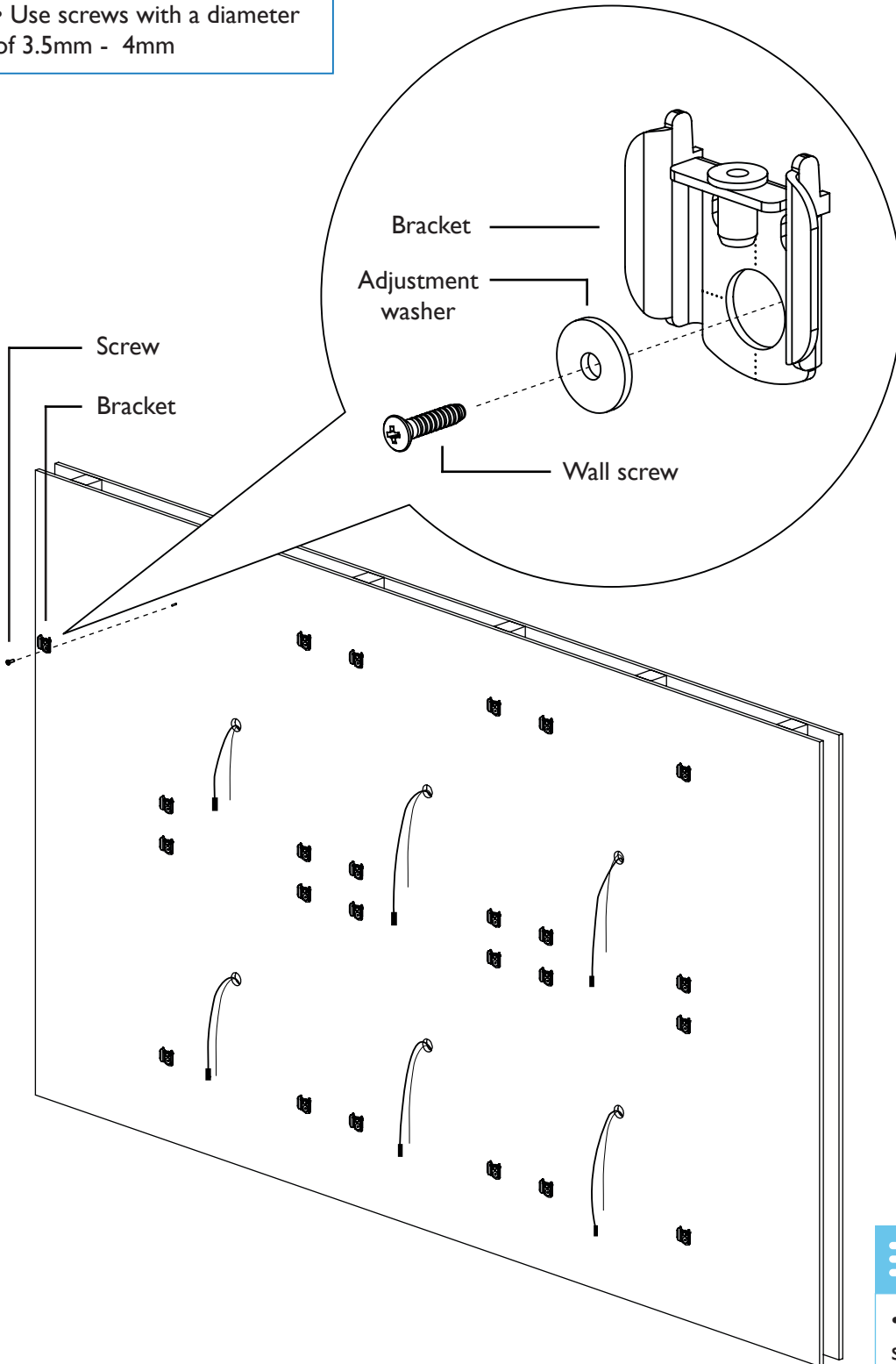
Note

- Mounting structure detail may vary. Shown detail is an example
- Order of panel installation is specified in the dimensioned layout plan when applicable
- Principle of installation is the same for wall and ceiling installations
- A single panel can weigh up to 30kg depending on its size and integrated light style/pattern

5 Install the brackets (step 1)



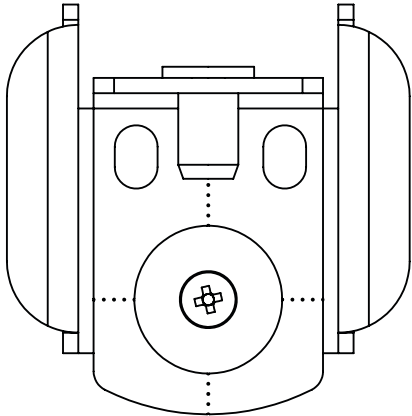
- Use screws with a diameter of 3.5mm - 4mm



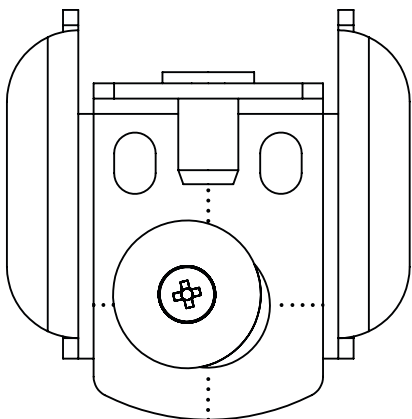
Note

- Mount the brackets as shown. Make sure the brackets are installed within a +/- 4 mm tolerance

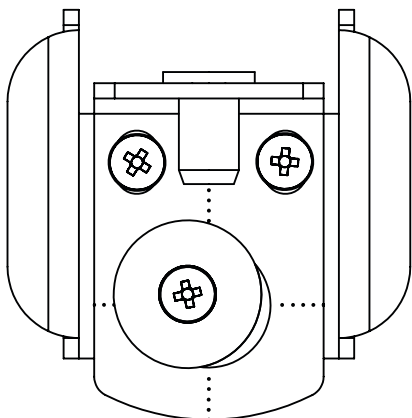
5 Install the brackets (step 2)



- 1 Mount brackets to the wall by only using the adjustment hole



- 2 Adjust the brackets to match the exact measurements on the provided installation drawing. The markings on the bracket are spaced by 1 mm increments. Test the alignment of the brackets by mounting the panels as shown in step 8 of this installation manual. Tap the panels into the desired direction for fine adjustments while test mounted. Always protect the panel for damage while doing this.

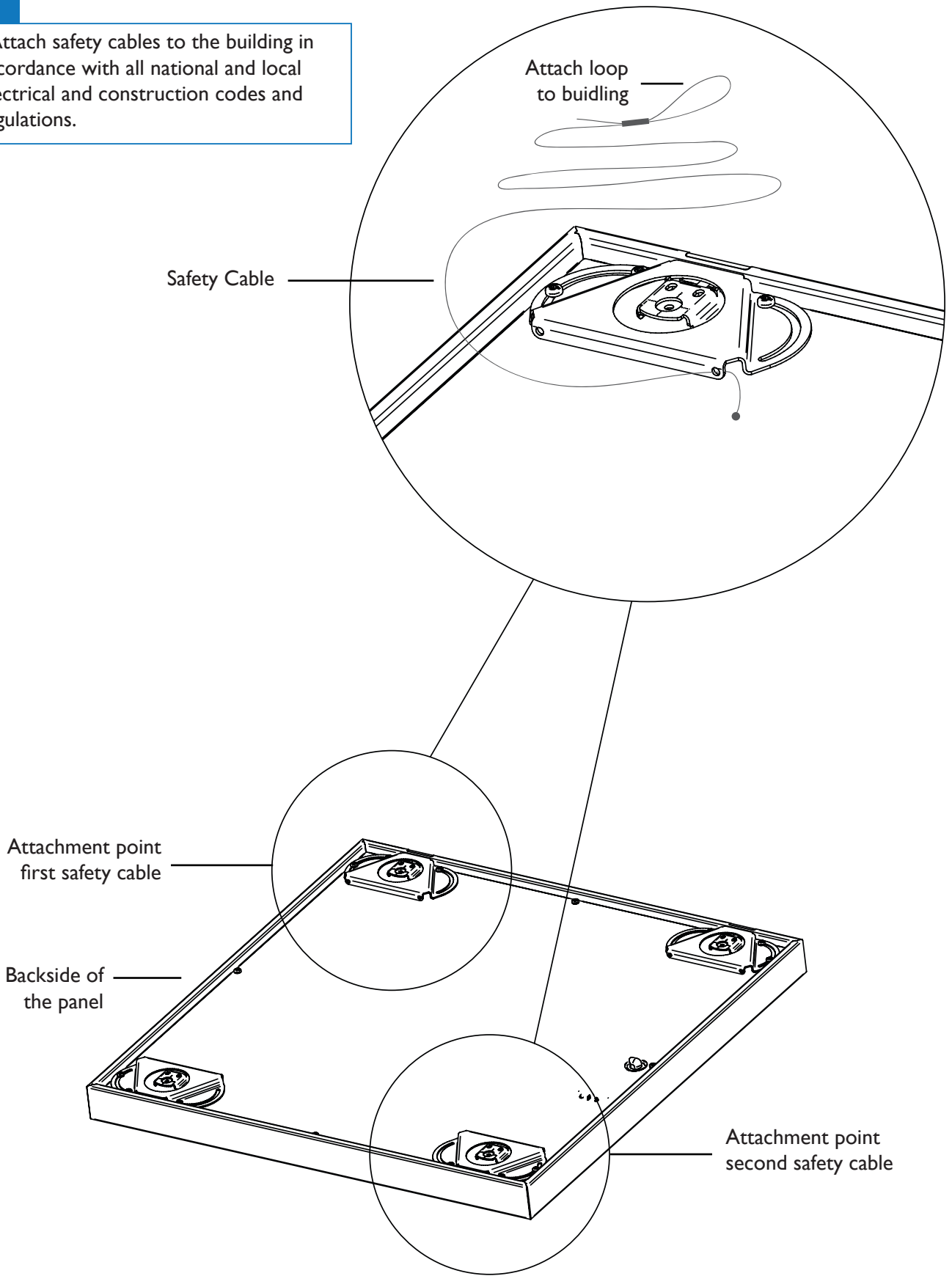


- 3 When alignment is satisfactory, secure the brackets to the wall by using the top two securing holes according to local construction codes and regulations associated with the wall type

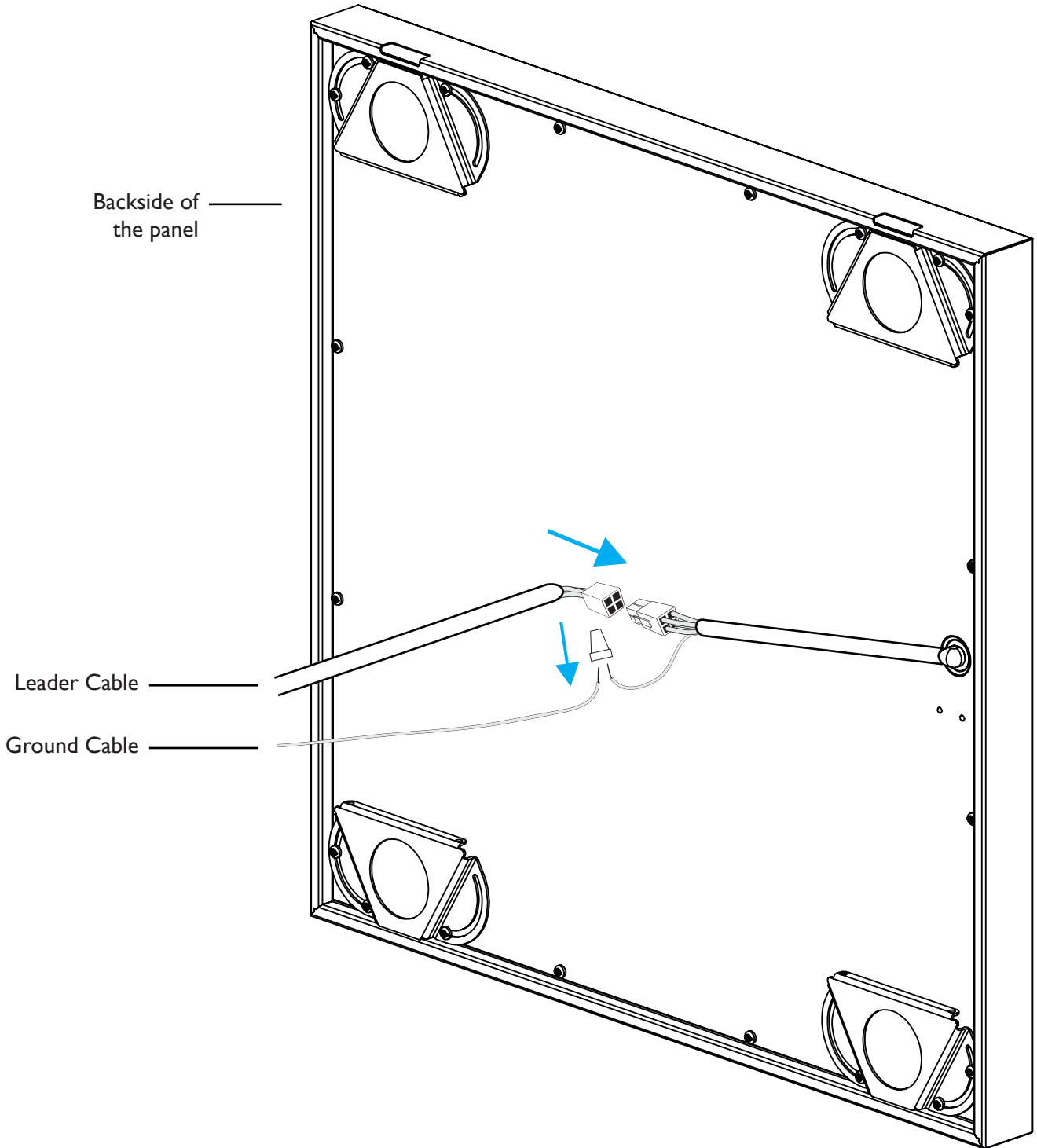
6 Attach safety cable - Ceiling installations only



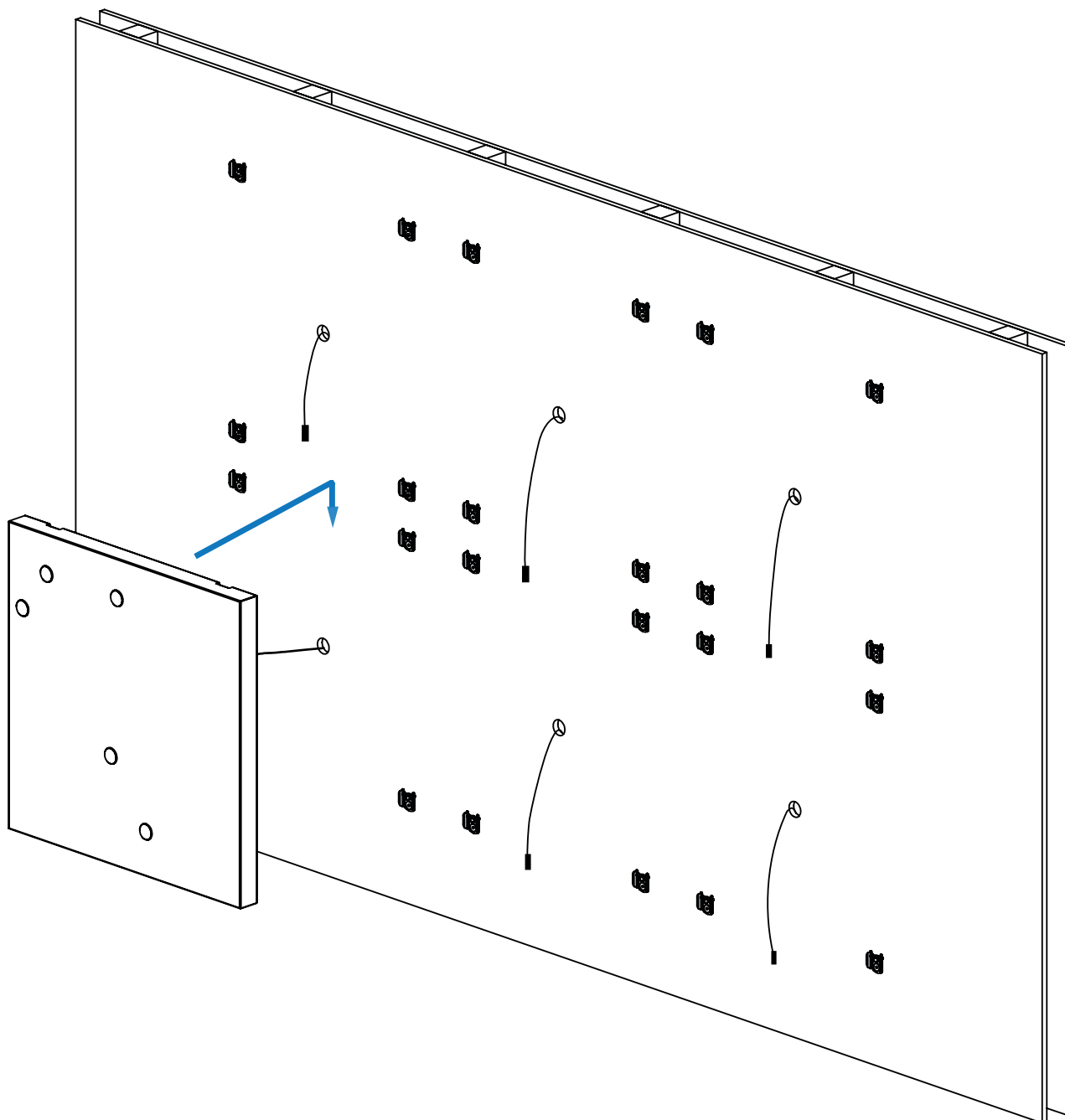
• Attach safety cables to the building in accordance with all national and local electrical and construction codes and regulations.



7 Connect leader & ground cable to the panel



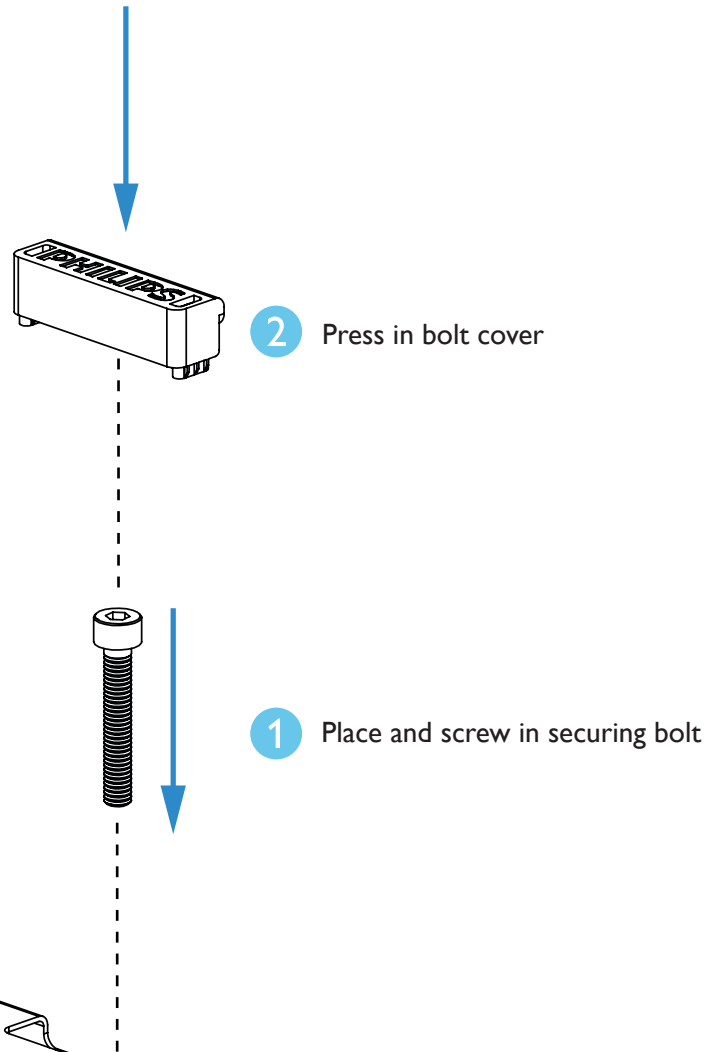
8 Mount the panels



Note

- Order of panel installation is specified in the dimensioned layout plan when applicable
- To clean panels only use non-corrosive and non-ethanol (alcohol) containing products

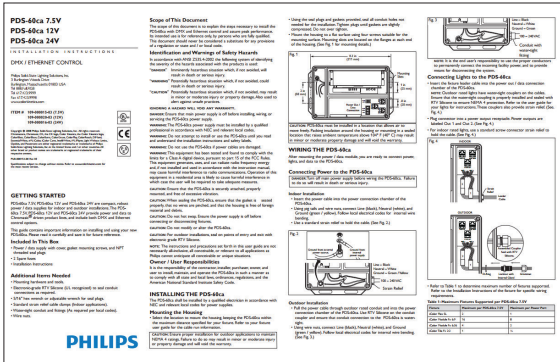
9 Securing panels



Note

- Bolt cover can be removed by placing a flat screw driver in the openings on either side and pulling it out
- Tightening the securing bolt too much can result in the panel misaligning. To prevent this do not over tighten it

10 Connect to the Power / Data supply



Go to <http://www.colorkinetics.com/lspds/> and select the used power / data supply to download the installation instructions.

11 Configuration of power / data supply



Refer to the QuickPlay Pro software for addressing and configuring power / data supplies.



Address and Configure

www.colorkinetics.com/support/addressing/

