

# Showline

## SL eSTRIP 10 RGBW



USER'S MANUAL

**PHILIPS**

## Showline Offices

### Showline - Dallas

10911 Petal Street  
Dallas, TX 75238  
Tel: 214-647-7880  
Fax: 214-647-8030

### Showline - Auckland

19-21 Kawana Street  
Northcote, Auckland 0627  
New Zealand  
Tel: +64 9 481 0100  
Fax: +64 9 481 0101

### Showline - New York

267 5th Ave, 4th Floor  
New York, NY 10016  
Tel: 212-213-8219  
Fax: 212-532-2593

### Showline - Europe

Marssteden 152  
Enschede 7547 TD  
The Netherlands  
Tel: +31 53 4500424  
Fax: +31 53 4500425

### Showline - Asia

Unit C, 14/F, Roxy Industrial Centre  
No. 41-49 Kwai Cheong Road  
Kwai Chung, N.T., Hong Kong  
Tel: +852 2796 9786  
Fax: +852 2798 6545

### Website:

[www.philips.com/showline](http://www.philips.com/showline)

The material in this manual is for information purposes only and is subject to change without notice. Showline assumes no responsibility for any errors or omissions which may appear in this manual. For comments and suggestions regarding corrections and/or updates to this manual, please visit the Showline web site at [www.showline.com](http://www.showline.com) or contact your nearest Showline office.

El contenido de este manual es solamente para información y está sujeto a cambios sin previo aviso. Showline no asume responsabilidad por errores o omisiones que puedan aparecer. Cualquier comentario, sugerencia o corrección con respecto a este manual, favor de dirigirlo a la oficina de Showline más cercana.

Der Inhalt dieses Handbuches ist nur für Informationszwecke gedacht, Änderungen sind vorbehalten. Showline uebernimmt keine Verantwortung für Fehler oder Irrtuemer, die in diesem Handbuch auftreten. Für Bemerkungen und Verbesserungsvorschlaege oder Vorschlaege in Bezug auf Korrekturen und/oder Aktualisierungen in diesem Handbuch, moechten wir Sie bitten, Kontakt mit der naechsten Showline-Niederlassung aufzunehmen.

Le matériel décrit dans ce manuel est pour information seulement et est sujet à changements sans préavis. La compagnie Showline n'assume aucune responsabilité sur toute erreur ou omission inscrite dans ce manuel. Pour tous commentaires ou suggestions concernant des corrections et/ou les mises à jour de ce manuel, veuillez s'il vous plait contacter le bureau de Showline le plus proche.

---

**Note:** Information contained in this document may not be duplicated in full or in part by any person without prior written approval of Showline. Its sole purpose is to provide the user with conceptual information on the equipment mentioned. The use of this document for all other purposes is specifically prohibited.

---

Document Number: **SL eSTRIP 10 RGBW LED Luminaires User Manual**

Version as of : 26th May 2014

**SL eSTRIP 10 RGBW User's Manual**

©2014 Philips Group. All rights reserved.

## IMPORTANT INFORMATION

---

### Warnings and Notices

When using electrical equipment, basic safety precautions should always be followed including the following:



- a. READ AND FOLLOW ALL SAFETY INSTRUCTIONS.
- b. Do not mount near gas or electric heaters.
- c. Equipment should be mounted in locations and at heights where it will not readily be subjected to tampering by unauthorized personnel.
- d. The use of accessory equipment not recommended by the manufacturer may cause an unsafe condition.
- e. Do not use this equipment for other than intended use.
- f. Refer service to qualified personnel.

**SAVE THESE INSTRUCTIONS.**



**WARNING:** You must have access to a main circuit breaker or other power disconnect device before installing any wiring. Be sure that power is disconnected by removing fuses or turning the main circuit breaker off before installation. Installing the device with power on may expose you to dangerous voltages and damage the device. A qualified electrician must perform this installation.

**WARNING:** Refer to national Electrical Code and local codes for cable specifications. Failure to use proper cable can result in damage to equipment or danger to personnel.

**WARNING:** This equipment is intended for installation in accordance with the National Electric Code and local regulations. It is also intended for installation in indoor applications only. Before any electrical work is performed, disconnect power at the circuit breaker or remove the fuse to avoid shock or damage to the control. It is recommended that a qualified electrician perform this installation.

## GENERAL INFORMATION

Thanks for your purchasing Showline SL eSTRIP 10 RGBW lighting equipment, the SL eSTRIP 10 RGBW is compatible of both DMX & RDM and with 10 channel LED intensity adjustable. Programs can be updated via RDM interface. It is available in master and slave control connection. It is easy for users to install and operate.

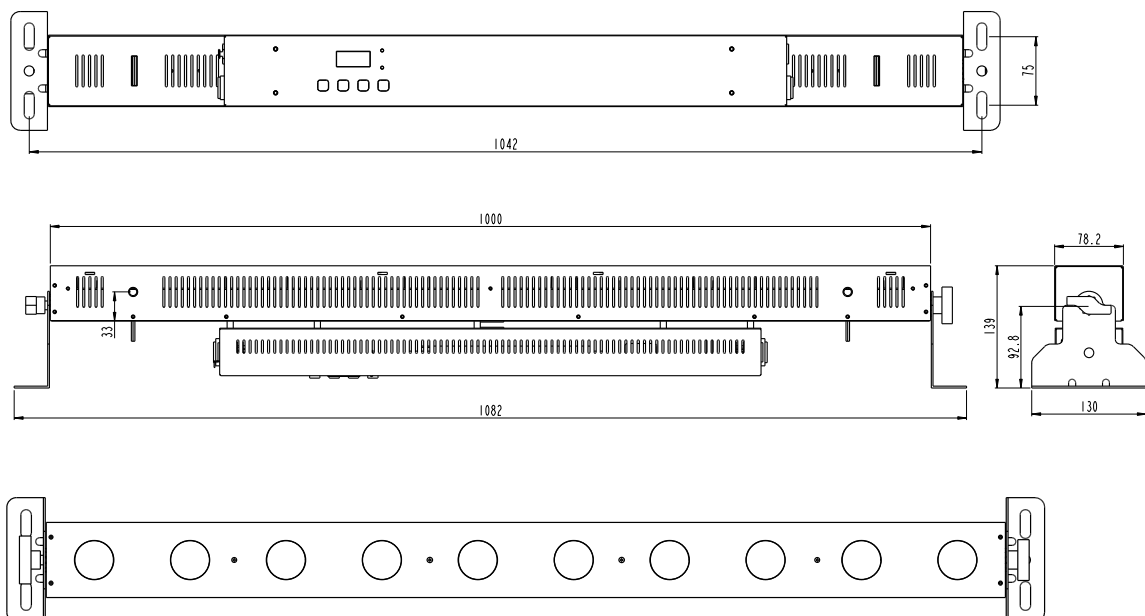
For the optimum operation and best performance, please read the instruction in this manual carefully and thoroughly.

## WARNINGS

- To protect against high electric shock and injury to person, **DO NOT** open or dismantle the unit.
- After use, the front panel is extreme hot. Please wait at least 15 min. for absolute cool before touching it. Otherwise, it causes the result of burning.
- **NEVER** try to repair the unit yourself. Repair by unqualified people could cause damage or mis-operation.
- This device is not suitable for direct mounting on normally flammable surfaces. To keep a minimum 0.2m safety distance to any flammable materials.
- **DO NOT** make any inflammable liquids, water or metal objects enter the unit.
- This unit contains no user serviceable parts inside. This unit contains dangerous voltages, always remove the power plug from the wall socket before any service operation and when not in use for a long time.
- Earth connection is so essential.
- Stop using the unit immediately in the event of serious operation problems and either contact your local dealer for a check or contact us directly.

## PHYSICAL DIMENSIONS

Unit: mm



### Accessories(Included):

1. The unit power cable (1pcs)
2. Wing screw(2pcs) + Grommet(2pcs) + Washer(2pcs)
3. Mounting Assemble(2pcs)

## MAIN FEATURES

- 01 pixel, 02 pixel, 05 pixel,10 pixel DMX Channels selection
- Standard DMX 5-pin In/Out
- 10 built-in programs subject to Speed and Dimmer
- 0-255 dimming level
- Standard DMX-512 protocol
- 01 Thru 99 Chase Speed adjustment
- Power failure memory
- LED display window-shows current activity and function state
- On/Off switch

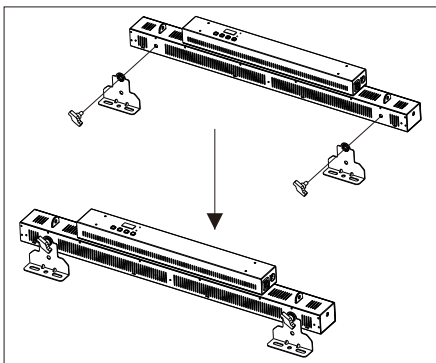
## INSTALLATION

Before use, make sure whether four screws are secured firmly, if not, please secure them with the screwdriver, loose 4 screws for lamp replacement.

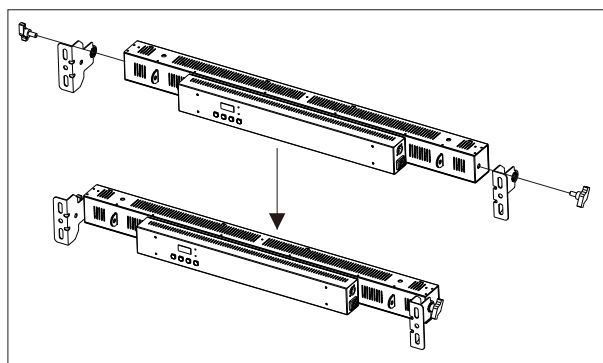
The unit has also been designed to hold up as user's desire. So you can fix the unit on the holder by the wing screw. They are placed in the accessory bag, included.

The following installation diagrams are for user reference.

Method 1



Method 2



### Note :

Once this unit is for hanging application, it is required to use a safety rope (sold separately, which can hold at least 10 times the weight of the fixture ) to ensure the mounting safety of the fixture by attached through the holder.

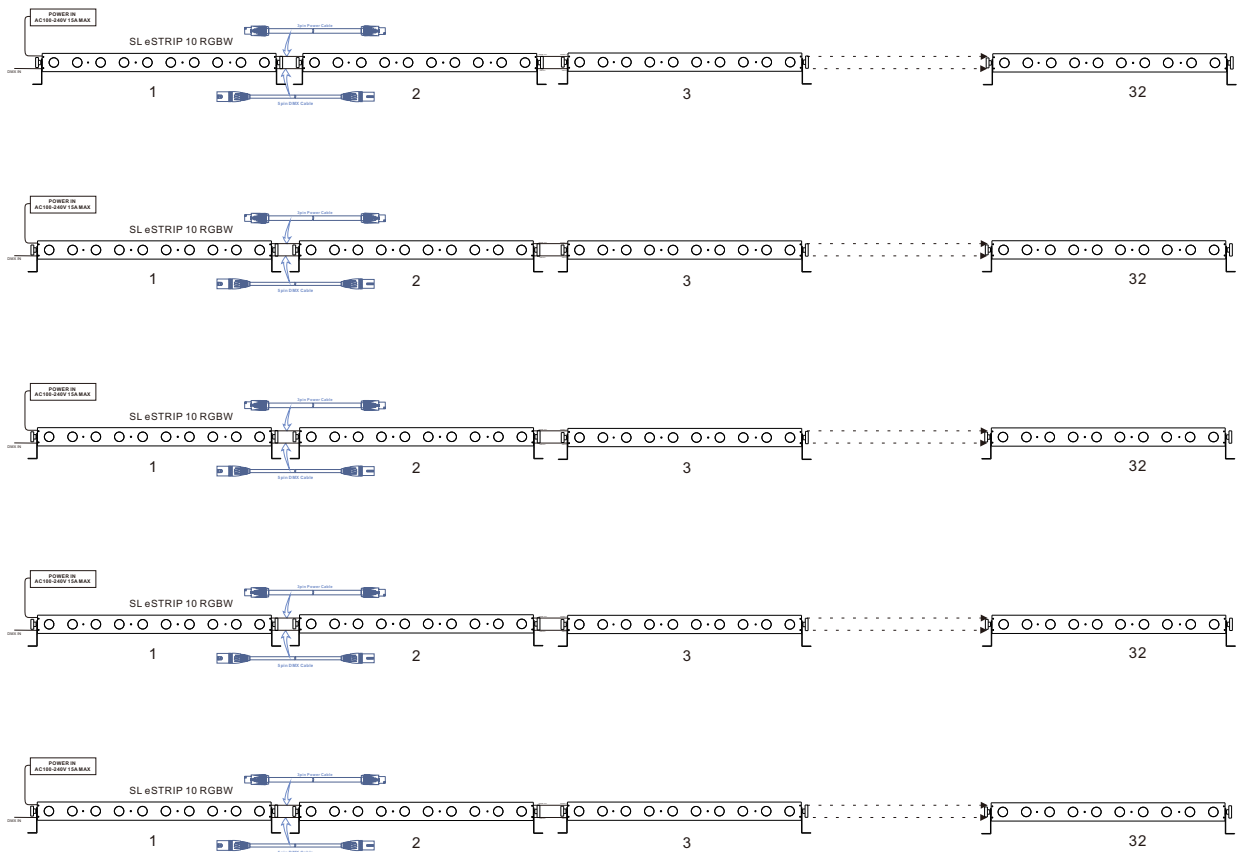
**Power:**

Before plugging your unit in, be sure the resource voltage in your area matches the unit required voltage. Because the line voltage may vary from venue to venue, you should be sure to plug the socket into a matching wall outlet before attempting to operate your unit.

**SYSTEM CONNECTION**

Maximum amount of this units that may be connected is 11pcs(AC120V) or 20pcs(230V).

One universe DMX can drive up to 32 pcs of SL eSTRIP 10 RGBW, please add DMX booster if SL eSTRIP 10 RGBW are connected together in line over 32 pcs or data cable over 100M. The connections may be illuminated as following.



## Layout Overview

### Rear Panel Overview



#### 1. LCD Display

This multi-function display will detail all DMX Address, Chase , Program, Speed activity that pertains to the current operation mode of the unit.

#### 2. Mode button

This button will call up the unit operation mode between DMX, Chase and Manual mode.

#### 3. UP button

This button will increase the displayed value in the LED display.

#### 4. Down Key

This button will decrease the displayed value in the LED display.

#### 5. Menu button

This button will active the different functions in DMX Mode, Chase Mode and Manual Mode.

#### 6. DMX Out

This connector sends your DMX signal through to the next unit.

#### 7. DMX In

This connector accepts your DMX input signal.

#### 8. Power Input:

AC110-240V~50/60Hz, Max15A. The supply power is input into your unit via this connector. Be sure to always connect to proper voltage.

#### 9. Power Thru:

AC110-240V~50/60Hz, Max15A. This connector sends the supply power to the next unit.

#### 10. Power Indicator:

This indicator will flash once powered on.

#### 11. RDM / DMX Indicator:

This indicator will flash once the luminaire is connected to RDM / DMX signal.

## OPERATION MODES

The "SL eSTRIP 10 RGBW" has three different operation modes. It can be used as a 01 pixel, 02 pixel, 05 pixel, 10 pixel channel DMX dimmer. Please follow illustrations below to operate the unit in your desired mode.

Mode	Parameter	Parameter Value	Function
DMX	Address	001-512	To set the initial DMX receiving address
	Channel	8 Bit: 1/2/5/10 pixel 16 Bit: 1/2/5/10 pixel	To set the DMX Control Mode
	DMX Fade	OFF/ON	To set the status of the fixture when there is no DMX input
Chase	Program	01-10	To select a built-in program
	Speed	01-99	To set the speed level of the built-in Program
	Dimmer	000-255	To set the intensity
	Fade	000-100	To set the speed of the Fadetime(percentage)
Manual	R	000-255	To set the output intensity of the red
	G	000-255	To set the output intensity of the green
	B	000-255	To set the output intensity of the blue
	W	000-255	To set the output intensity of the cool white

### DMX Mode

Use this operation mode only when you are about to use the unit as a DMX dimmer. This function can allow you set your unit dimmer function as a 01 pixel, 02 pixel, 05 pixel, 10 pixel channel DMX dimmer and DMX address.

SL eSTRIP 10 RGBW DMX Mapping (RGBW 16 Bit Mode)

RGBW 16 BIT MODE				
DMX CHANNEL	10 Pixel MODE	5 Pixel MODE	2 Pixel MODE	1 Pixel MODE
1	Red_1 - High Byte	Red_1-2- High Byte	Red_1-9 - High Byte	Red_1-18 - High Byte
2	Red_1 - Low Byte	Red_1-2 - Low Byte	Red_1-9 - Low Byte	Red_1-18 - Low Byte
3	Green_1 - High Byte	Green_1-2 - High Byte	Green_1-9 - High Byte	Green_1-18 - High Byte
4	Green_1 - Low Byte	Green_1-2 - Low Byte	Green_1-9 - Low Byte	Green_1-18 - Low Byte
5	Blue_1 - High Byte	Blue_1-2 - High Byte	Blue_1-9 - High Byte	Blue_1-18 - High Byte
6	Blue_1 - Low Byte	Blue_1-2 - Low Byte	Blue_1-9 - Low Byte	Blue_1-18 - Low Byte
7	White_1 - High Byte	White_1-2 - High Byte	White_1-9 - High Byte	White_1-18 - High Byte
8	White_1 - Low Byte	White_1-2 - Low Byte	White_1-9 - Low Byte	White_1-18 - Low Byte
9	Red_2 - High Byte	Red_3-4 - High Byte	Red_10-18 - High Byte	
10	Red_2 - Low Byte	Red_3-4 - Low Byte	Red_10-18 - Low Byte	
11	Green_2 - High Byte	Green_3-4 - High Byte	Green_10-18 - High Byte	
12	Green_2 - Low Byte	Green_3-4 - Low Byte	Green_10-18 - Low Byte	
13	Blue_2 - High Byte	Blue_3-4 - High Byte	Blue_10-18 - High Byte	
14	Blue_2 - Low Byte	Blue_3-4 - Low Byte	Blue_10-18 - Low Byte	
15	White_2 - High Byte	White_3-4 - High Byte	White_10-18 - High Byte	
16	White_2 - Low Byte	White_3-4 - Low Byte	White_10-18 - Low Byte	
17	Red_3 - High Byte	Red_5-6 - High Byte		
18	Red_3 - Low Byte	Red_5-6 - Low Byte		
19	Green_3 - High Byte	Green_5-6 - High Byte		
20	Green_3 - Low Byte	Green_5-6 - Low Byte		
21	Blue_3 - High Byte	Blue_5-6 - High Byte		
22	Blue_3 - Low Byte	Blue_5-6 - Low Byte		
23	White_3 - High Byte	White_5-6 - High Byte		
24	White_3 - Low Byte	White_5-6 - Low Byte		
25	Red_4 - High Byte	Red_7-8 - High Byte		
26	Red_4 - Low Byte	Red_7-8 - Low Byte		
27	Green_4 - High Byte	Green_7-8 - High Byte		
28	Green_4 - Low Byte	Green_7-8 - Low Byte		
29	Blue_4 - High Byte	Blue_7-8 - High Byte		
30	Blue_4 - Low Byte	Blue_7-8 - Low Byte		
31	White_4 - High Byte	White_7-8 - High Byte		
32	White_4 - Low Byte	White_7-8 - Low Byte		
33	Red_5 - High Byte	Red_13-15 - High Byte		
34	Red_5 - Low Byte	Red_13-15 - Low Byte		
35	Green_5 - High Byte	Green_13-15 - High Byte		
36	Green_5 - Low Byte	Green_13-15 - Low Byte		
37	Blue_5 - High Byte	Blue_13-15 - High Byte		
38	Blue_5 - Low Byte	Blue_13-15 - Low Byte		
39	White_5 - High Byte	White_13-15 - High Byte		
40	White_5 - Low Byte	White_13-15 - Low Byte		
41	Red_6 - High Byte	Red_16-18 - High Byte		
42	Red_6 - Low Byte	Red_16-18 - Low Byte		



SL eSTRIP 10 RGBW DMX Mapping (RGBW 16 Bit Mode)

RGBW 16 BIT MODE				
DMX CHANNEL	10 Pixel MODE	5 Pixel MODE	2 Pixel MODE	1 Pixel MODE
43	Green_6 - High Byte	Green_16-18 - High Byte		
44	Green_6 - Low Byte	Green_16-18 - Low Byte		
45	Blue_6 - High Byte	Blue_16-18 - High Byte		
46	Blue_6 - Low Byte	Blue_16-18 - Low Byte		
47	White_6 - High Byte	White_16-18 - High Byte		
48	White_6 - Low Byte	White_16-18 - Low Byte		
49	Red_7 - High Byte			
50	Red_7 - Low Byte			
51	Green_7 - High Byte			
52	Green_7 - Low Byte			
53	Blue_7 - High Byte			
54	Blue_7 - Low Byte			
55	White_7 - High Byte			
56	White_7 - Low Byte			
57	Red_8 - High Byte			
58	Red_8 - Low Byte			
59	Green_8 - High Byte			
60	Green_8 - Low Byte			
61	Blue_8 - High Byte			
62	Blue_8 - Low Byte			
63	White_8 - High Byte			
64	White_8 - Low Byte			
65	Red_9 - High Byte			
66	Red_9 - Low Byte			
67	Green_9 - High Byte			
68	Green_9 - Low Byte			
69	Blue_9 - High Byte			
70	Blue_9 - Low Byte			
71	White_9 - High Byte			
72	White_9 - Low Byte			
73	Red_10 - High Byte			
74	Red_10 - Low Byte			
75	Green_10 - High Byte			
76	Green_10 - Low Byte			
77	Blue_10 - High Byte			
78	Blue_10 - Low Byte			
79	White_10 - High Byte			
80	White_10 - Low Byte			

SL eSTRIP 10 RGBW DMX Mapping (RGBW 8 Bit Mode)

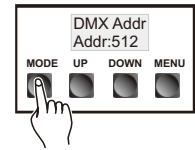
RGBW 8 BIT MODE				
DMX CHANNEL	10 Group MODE	5 Group MODE	2 Group MODE	1 Group MODE
1	Red_1	Red_1-2	Red_1-5	Red_1-1
2	Green_1	Green_1-2	Green_1-5	Green_1-1
3	Blue_1	Blue_1-2	Blue_1-5	Blue_1-1
4	White_1	White_1-2	White_1-5	White_1-1
5	Red_2	Red_3-4	Red_6-10	
6	Green_2	Green_3-4	Green_6-10	
7	Blue_2	Blue_3-4	Blue_6-10	
8	White_2	White_3-4	White_6-10	
9	Red_3	Red_5-6		
10	Green_3	Green_5-6		
11	Blue_3	Blue_5-6		
12	White_3	White_5-6		
13	Red_4	Red_7-8		
14	Green_4	Green_7-8		
15	Blue_4	Blue_7-8		
16	White_4	White_7-8		
17	Red_5	Red_9-10		
18	Green_5	Green_9-10		
19	Blue_5	Blue_9-10		
20	White_5	White_9-10		
21	Red_6			
22	Green_6			
23	Blue_6			
24	White_6			
25	Red_7			
26	Green_7			
27	Blue_7			
28	White_7			
29	Red_8			
30	Green_8			
31	Blue_8			
32	White_8			
33	Red_9			
34	Green_9			
35	Blue_9			
36	White_9			
37	Red_10			
38	Green_10			
39	Blue_10			
40	White_10			

### 1. Setting DMX Address

Press the "MODE" button to select and activate "DMX" menu.

In this menu, you can set the DMX address, DMX Bit, DMX Fade and DMX Channel. Press the "MENU" button to select and enter the desired menu.

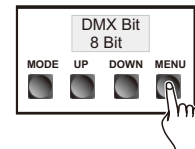
The DMX Address Mode is indicated by "DMX Addr" followed by three digits 001~512. You can tap the "UP" and "DOWN" buttons to change the DMX Address Value.



### 2. Setting DMX Bit

Press the "MENU" button to select and activate "DMX Bit" menu.

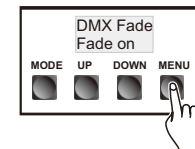
You can tap the "UP" and "DOWN" buttons to change the DMX Bit Value between 8 Bit and 16 Bit.



### 3. Setting DMX Fade On/OFF

Press the "MENU" button to select and activate "DMX Fade" menu.

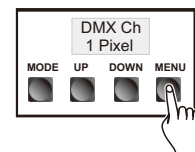
You can tap the "UP" and "DOWN" buttons to set the DMX Fade on or off.



### 4. Setting DMX Channel

Press the "MENU" button to select and activate "DMX Ch" menu.

You can tap the "UP" and "DOWN" buttons to change the DMX Channel Value between 1 pixel, 2 pixel, 5 pixel and 10 pixel.



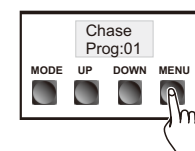
## Chase Mode:

Use the operation mode only when you are about to use your unit as a channel chaser among of the 01 pixel, 02 pixel, 05 pixel, 10 pixel channel chasers. The unit has 10 built-in programs. Of course, you can select any of these programs to chase for a more dramatic lighting show, and you can also control the speed at which the set programs will be chased.

### 1. Setting your desired Chase Program:

Press "MODE" button to activate the Chase Mode. Then you can tap the "MENU" button to select and activate "Chase Program" menu. The chase pattern is displayed in the LCD by "Chase Prog" followed by two digits 01~10 appears. You can tap "UP" and "DOWN" button to select any of them to run at a single time.

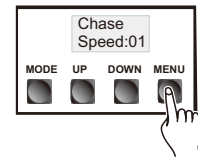
Selecting any program of Program 01-10 will activate the selected program.



## 2. Chase Speed Menu:

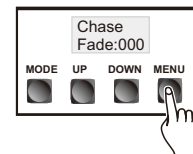
Press "MENU" button to select and activate "Chase Speed" menu. In this menu, you can adjust the program chase speed.

Use the "UP" and "DOWN" buttons to adjust the chase speed from 01 thru 99. A set value of 99 will give you the fastest chase speed (approx. 1/10th of a second). While a set value of 01 will give you the slowest chase speed (once every 30 second.).



## 3. Chase Fade Menu:

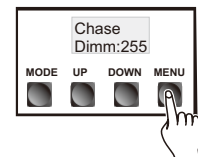
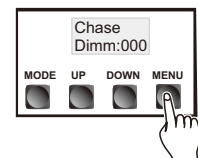
Press "MENU" button and select "Chase Fade" menu, the LCD will display "Chase Fade" followed by three digits, user can press "UP" or "DOWN" button set the desired Fade time value from 000 to 100.



## 4. Chase Dimmer Menu:

To adjust the output intensity, you must activate the Chase Dimmer Menu as the previous step. Press "MENU" button and select "Chase Dimmer" menu, the LCD will display "Chase Dimm" followed by three digits.

Use the "UP" and "DOWN" buttons to adjust the light output intensity between 000 ~ 255. A set value of 000 will give you the weakest output intensity and a set value of 255 will give you the full intensity.

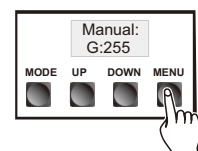
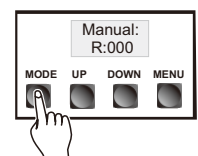


## Manual Mode:

User can adjust the intensity or Red, Green, Blue, Cool White manually in this mode.

Press "MODE" button to select and activate "Manual" menu. In this menu, you can adjust the intensity of each color. Press "MENU" button to select the color between R, G, B and W.

Use the "UP" and "DOWN" buttons to adjust the chase speed from 000 thru 255. A set value of 000 will give you the weakest output intensity and a set value of 255 will give you the full intensity.



Note: When the backlight of LCD is off, press any button will activate the LCD display and it will show the current operating temperature.

## SL eSTRIP 10 RGBW RDM Parameter IDs

The following tables outline and describe all the RDM parameters IDs associated with SL eSTRIP 10 RGBW.

Table 1: SL eSTRIP 10 RGBW RDM Parameter IDs

<b>SL eSTRIP 10 RGBW</b>					
<b>UID</b>					
<i>MSB of ESTA 50H</i>	<i>LSB of ESTA 41H</i>	<i>MSB of Unique Seq.</i>	<i>LSB of Unique Seq.</i>	<i>MSB of Unique Seq.</i>	<i>LSB of Unique Seq.</i>
<b>Model ID</b>		0x11F0		<b>Product Category</b>	
<b>Manufacturer</b>		Philips Entertain. Lighting Asia			
<b>Model Description</b>		SL eSTRIP 10			
<b>Supported PIDs</b>					
<b>Get Allowed</b>	<b>SET Allowed</b>	<b>RDM Parameter ID's</b>	<b>Value</b>	<b>Comment</b>	<b>Implemented</b>
Category – Network Management					
		DISC_UNIQUE_BRANCH	0x0001		✓
		DISC_MUTE	0x0002		✓
		DISC_UN_MUTE	0x0003		✓
✓		PROXIED_DEVICES	0x0010		
✓		PROXIED_DEVICE_COUNT	0x0011		
✓	✓	COMMS_STATUS	0x0015		
Category - Status Collection					
✓		QUEUED_MESSAGE	0x0020		✓
✓		STATUS_MESSAGES	0x0030		✓
✓		STATUS_ID_DESCRIPTION	0x0031		✓
	✓	CLEAR_STATUS_ID	0x0032		✓
✓	✓	SUB_DEVICE_STATUS_REPORT_THR ESHOLD	0x0033		
Category - RDM Information					
✓		SUPPORTED_PARAMETERS	0x0050	* Support required only if supporting Parameters beyond the minimum required set.	✓
✓		PARAMETER_DESCRIPTION	0x0051	- Support required for Manufacturer-Specific PIDs exposed in SUPPORTED_PARAMETERS message.	✓
Category – Product Information					
✓		DEVICE_INFO	0x0060		✓
✓		PRODUCT_DETAIL_ID_LIST	0x0070		
✓		DEVICE_MODEL_DESCRIPTION	0x0080		✓
✓		MANUFACTURER_LABEL	0x0081		✓
✓	✓	DEVICE_LABEL	0x0082		✓
✓	✓	FACTORY_DEFAULTS	0x0090		
✓		LANGUAGE_CAPABILITIES	0x00A0		
✓	✓	LANGUAGE	0x00B0		
✓		SOFTWARE_VERSION_LABEL	0x00C0		✓
✓		BOOT_SOFTWARE_VERSION_ID	0x00C1		
✓		BOOT_SOFTWARE_VERSION_LABEL	0x00C2		

Table 1: SL eSTRIP 10 RGBW RDM Parameter IDs

Get Allowed	SET Allowed	RDM Parameter ID's	Value	Comment	Implemented
Category - DMX512 Setup					
✓	✓	DMX_PERSONALITY	0x00E0		✓
✓		DMX_PERSONALITY_DESCRIPTION	0x00E1		✓
✓	✓	DMX_START_ADDRESS	0x00F0	* Required if device uses a DMX Slot	✓
✓		SLOT_INFO	0x0120		✓
✓		SLOT_DESCRIPTION	0x0121		✓
✓		DEFAULT_SLOT_VALUE	0x0122		
Category – Sensors 0x02xx					
✓		SENSOR_DEFINITION	0x0200		✓
✓	✓	SENSOR_VALUE	0x0201		✓
	✓	RECORD_SENSORS	0x0202		
Category – Dimmer Settings 0x03xx Future					
Category – Power/Lamp Settings 0x04xx					
✓	✓	DEVICE_HOURS	0x0400		
✓	✓	LAMP_HOURS	0x0401		
✓	✓	LAMP_STRIKES	0x0402		
✓	✓	LAMP_STATE	0x0403		
✓	✓	LAMP_ON_MODE	0x0404		
✓	✓	DEVICE_POWER_CYCLES	0x0405		
Category - Display Settings 0x05xx					
✓	✓	DISPLAY_INVERT	0x0500		
✓	✓	DISPLAY_LEVEL	0x0501		
Category – Configuration 0x06xx					
✓	✓	PAN_INVERT	0x0600		
✓	✓	TILT_INVERT	0x0601		
✓	✓	PAN_TILT_SWAP	0x0602		
✓	✓	REAL_TIME_CLOCK	0x0603		
Category – Control 0x10xx					
✓	✓	IDENTIFY_DEVICE	0x1000		✓
	✓	RESET_DEVICE	0x1001		
✓	✓	POWER_STATE	0x1010		
✓	✓	PERFORM_SELFTEST	0x1020		
✓		SELF_TEST_DESCRIPTION	0x1021		
	✓	CAPTURE_PRESET	0x1030		
✓	✓	PRESET_PLAYBACK	0x1031		

Table 2: SL eSTRIP 10 RGBW Manufacturer Status IDs

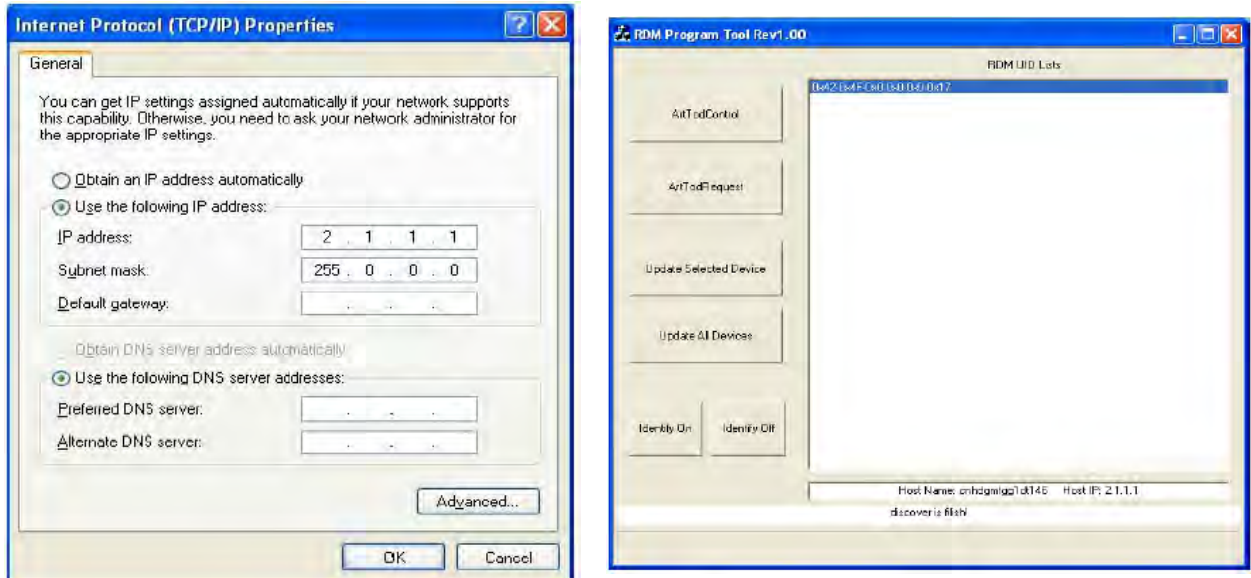
<b>Manufacturer Defined Status IDs</b>				
Manufacturer Specific messages are in the range of 0x8000 —0xFFDF. Each Manufacturer-specific Status ID shall have a unique meaning, which shall be consistent across all products having a given Manufacturer ID. See Table B-2, ANSI E1.20-2010				
Status Message ID	Value	Data Value 1	Data Value 2	Status ID Description
8100H		00H	00H	ALL OK

Table 3: SL eSTRIP 10 RGBW Manufacturer Specific PIDs

<b>Manufacturer Specific PIDs</b>										
Manufacturer Defined PIDs range is 0x8000-0xffdf. See Table A-3, ANSI E1.20-2010										
Get Allowed	SET Allowed	RDM Parameter Id's	TYPE	LENGTH	UNIT	PREFIX	MIN	MAX	DEFAULT	DESCRIPTION
✓	✓	8A08H	U8	1	NONE	NONE	0	18	1	Chase program
✓	✓	8AB2H	U8	1	NONE	NONE	0	1	0	DMX Fade on/off
✓	✓	8AB1H	U8	1	NONE	NONE	1	10	1	Chase Program
✓	✓	8A92H	U8	1	NONE	NONE	0	99	0	Chase Speed
✓	✓	8A94H	U8	1	NONE	NONE	0	100	0	Chase Fade
✓	✓	8AA1H	U8	1	NONE	NONE	0	255	10	Chase Dimmer
✓	✓	8A0CH	U8	1	NONE	NONE	0	255	0	Manual red
✓	✓	8AA0H	U8	1	NONE	NONE	0	255	0	Manual green
✓	✓	8AA2H	U8	1	NONE	NONE	0	255	10	Manual white
✓	✓	8A44H	U8	1	NONE	NONE	0	1	0	Calibration On/off

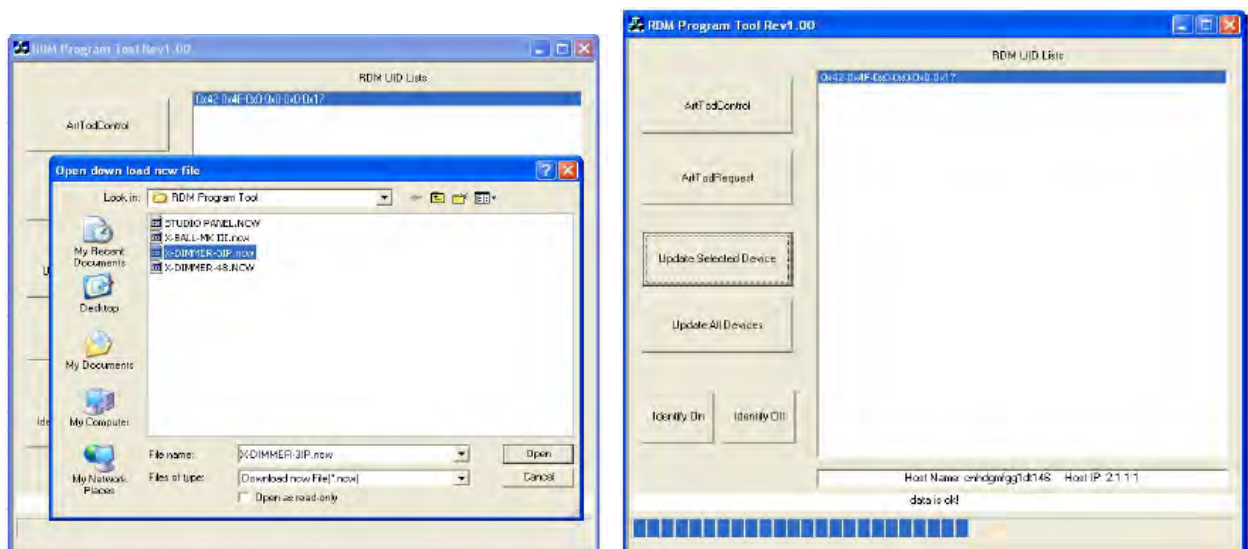
## PROGRAM UPDATE

Programs of this device can be updated via the RDM interface with proper tool named SC-NODE and RDM Program Tool. Connect the SL eSTRIP 10 RGBW to the output terminal of the SC-NODE then connect the SC-NODE to the PC, run the TCP/IP setting, see the following figures for details.



After the TCP/IP is set, run the RDM\_Program\_Tool.exe software, the tool will search RDM devices automatically for the first time, user may also search devices via ArtTod Control command.

When the software searched a RDM device, the RDM UID will be listed in the "RDM UID Lists". Select the listing RDM UID, then press "Update Selected Device" command to upload the desired updating program, press "open" command to start updating. After finishing updating, the software will start to search device once again, and showing "update successful!", means program updating completed.



## TECHNICAL SPECIFICATIONS

LED Source	10 pcs 4in1 RGBW (RGB+Cool White)
Beam Angle	22 Degrees
Power Thru/Input	AC110~240V, 50/60Hz
Control Protocols	DMX512 (1990) / DMX512A (RDM) / On-Board Menu
IP Rating	IP20
Power Consumption	150W Max.
Weight	9Kg
Dimension	1040(L)*130(W)*140(H)mm.

Please note: Specifications and improvements in the design of this product and this manual are subject to change without any prior notice.

## Explanation For The Label



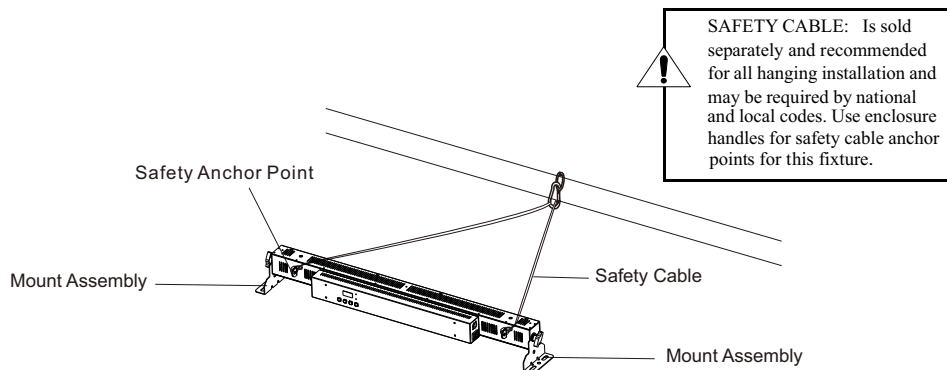
Indicating that the ambient temperature should not be above 40 degrees.



Minimum safety distance to lighted object: 0.2m.

## SPECIAL NOTE

This fixture can be easily mounted with the provided mount assemble, meanwhile a safety cable(sold separately) is always required to ensure the mounting safety of the fixture by attached and fastened through safety chain /cord attachment point. This safety rope can hold at least 10 times the weight of the fixture and with a screw on it.





# Showline

## Philips Entertainment Lighting Asia (PELA)

Unit C , 14/F, Roxy Industrial Centre, NO. 41-49, Kwai Cheong Road, Kwai Chung, N. T. Hong Kong

Tel: +(852)2796 9786

Fax: +(852)2798 6545



Philips Group 2014

All rights reserved.

The Company reserves the right to make any variation in design or construction to the equipment described. E&OE