

Showline

SL ePAR 180

PHILIPS



The SL ePAR 180 luminaire utilizes 19 homogenized RGBW LEDs to produce over 4400 lumens of output. The split yoke bracket allows for easy hanging or floor mounting.

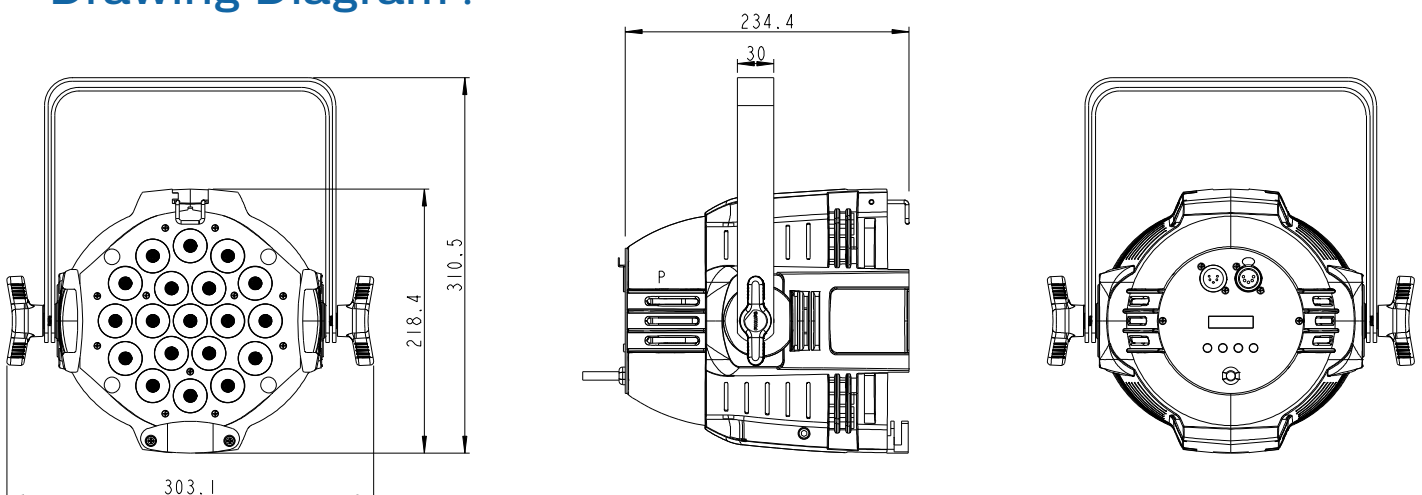
Constructed from robust diecast aluminium, the SL ePAR 180 is an ideal energy saving replacement for halogen PAR luminaires. Ideal for lighting simple stages in hotels, clubs, and shopping malls, the SL ePAR 180 provides designers with a LED luminaire that delivers uniform colour, high output, and excellent reliability.

Configuration is made easy through use of the simple LCD menu system and the SL ePAR 180 is RDM enabled, allowing for fast commissioning and testing from a remote location.

Features :

- Rugged Construction
- High Quality LED's for strong output and colour
- Built-in colour presets, effects and chases
- Harmonized Colour Calibration
- HSIC (Hue - Saturation - Intensity - Colour temperature) operation mode
- 8 or 16-bit DMX-512A operation for smooth stepless fades
- On-board LCD Menu System for addressing and setup
- Remote configuration available via RDM
- 5-pin DMX-512A(RDM) in and through connections

Drawing Diagram :



Technical Specifications :

Version:
SL ePAR 180 RGBW, IP20

Optics:
21 degree beam angle
19 high power RGBW LEDs

Controls:
DMX-512A(RDM)
Local LCD control
Master/slave

Modes:
HSIC
RGBW 8 bit
RGBW 16 bit

Features:
Colour Gel filter preset
Chase - Strobe + Duration
Effect Engine LED & Tungsten
Curves selection
Harmonize Colour Calibration

Physical:
90 - 240VAC, 180W
281mm x 310mm x 234mm,
4.5Kg
CE and C-Tick marked

Luminance:
4400 lumens
CRI/CQS:
90 (RGBW)



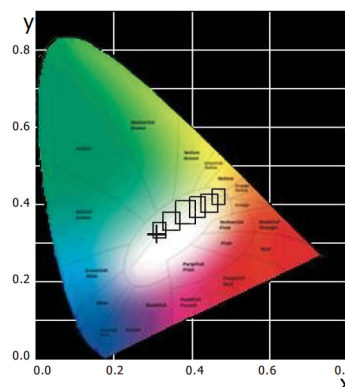
Ordering Information :

88-095-5212-37
SLePAR180

SL ePAR 180 RGBW, IP20

Harmonize Colour Calibration Technology

At the heart of all Showline products is Philips Harmonize Calibration technology. Harmonize is a proprietary, advanced LED colour matching system, consisting of 3 correction modules: RGB, RGBW and Cool White/Warm White. Every Showline fixture undergoes rigorous testing to provide you with consistent control of colour and intensity as well as output of the highest quality.



Philips Group 2013. All rights reserved.

The Company reserves the right to make any variation in design or construction to the equipment described. E&OE. Philips Entertainment delivers fully integrated lighting solutions; from simple lamps to complete systems designed with the specific needs of the entertainment and specialized display lighting markets.

Philips Entertainment
U.S. 10911 Petal Street
Dallas, TX 75238
Tel: +1 214647 7880
Fax: +1 214647 8030

Philips Entertainment Lighting Asia
Limited Unit C, 14/F, Roxy Industry Centre
No. 41 - 49 Kwai Cheong Road
Kwai Chung, N.T. Hong Kong
Tel: +852 27969786
Fax: +852 27986546

Philips Entertainment Group
Europe Rondweg Zuid 85
Winterswijk 7102 JD
Netherlands Tel: +31
543-542343
Fax: +31 53 4500425

Philips Entertainment New Zealand
19 - 21 Kawana Street, Northcote
Auckland 0627, New Zealand
Tel: +64 9481 0100
Fax: +64 9481 0101

www.philips.com/showline