

SL PARBLAZER 100 UV



The SL PARBLAZER 100 UV is a high performance UV Par luminaire that delivers a powerful output, generating 395nm UV light from 40 LED emitters, and producing the distinctive visible glow that brings reactive materials and objects leaping to life.

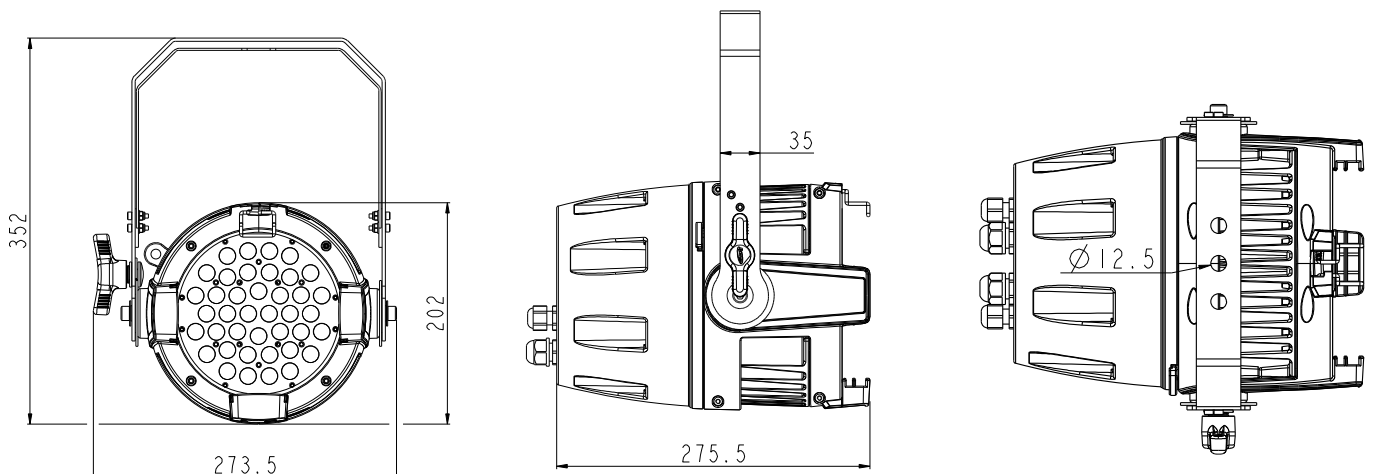
The SL PARBLAZER 100 UV is an excellent quality UV wash luminaire, ideal for indoor, outdoor and wet environments and a safe alternative to HID and UV Fluorescent luminaires. The soft edged beam delivers a light that can be easily blended between multiple units, while providing a defined beam for applications requiring more control.

The SL PARBLAZER 100 UV is compatible with both DMX 512 and RDM control protocols, and more than one luminaire can be linked up via online mode and controlled via the simple LCD menu system.

Features:

- Rugged Construction
- 40pcs UV LEDs for exceptional output
- IP65 Rated
- 20 degree beam angle and 40 degree field angle
- Flicker free
- Silent passive cooling
- 8 or 16 bit DMX-512A operation
- On-board LCD Menu System for addressing and setup
- Remote configuration available via RDM
- 5 pin XLR plugs for DMX-512A(RDM) IN and THRU
- 1 metre power cable for power IN and THRU

Drawing Diagram:



Technical Specifications:

Version:

SL PARBLAZER 100 UV, IP65

Optics:

20 degree beam angle
40 degree field angle
40 high power UV LEDs

Controls:

DMX-512A(RDM)
Local LCD control
Master/Slave

Modes:

8 bit
16 bit

Features:

20 degree beam angle and 40 degree field angle
Silent Passive Cooling

Physical:

100 - 240VAC, 100W
352mm x 275.5mm x 202mm
8.1 kgs
CB/CE/C-Tick/cETL/FCC

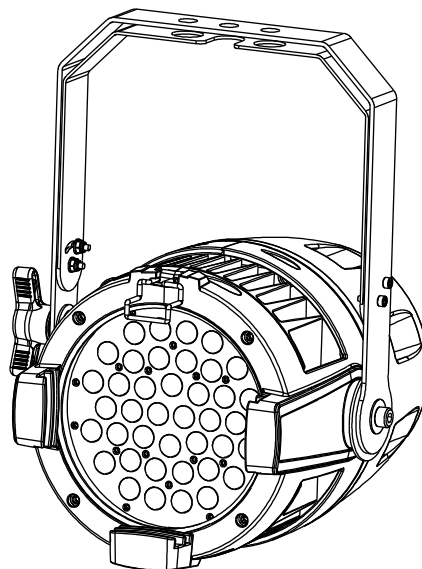
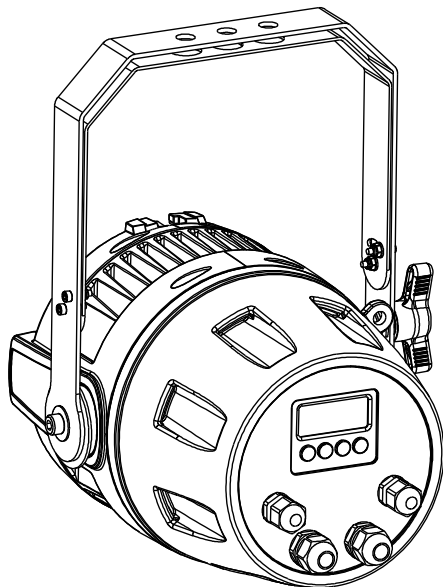
Luminance:

22000 mW output
395 nm UV LED

Ordering Information:

88-095-6162-77

SL PARBLAZER 100 UV, IP65



Philips Group 2014. All rights reserved.

*The Company reserves the right to make any variation in design or construction to the equipment described.
E&OE. Philips Entertainment delivers fully integrated lighting solutions; from simple lamps to complete systems designed with the specific needs of the entertainment and specialized display lighting markets.*

www.philips.com/showline

Philips Entertainment U.S.
10911 Petal Street Dallas,
TX 75238
U.S.A
Tel: +1 214647 7880 Fax:
+1 214647 8030

Philips Entertainment Lighting Asia Limited
Unit C, 14/F, Roxy Industry Centre
No. 41 - 49 Kwai Cheong Road
Kwai Chung, N.T. Hong Kong
Tel: +852 27969786
Fax: +852 27986546

Philips Entertainment Group Europe
Rondweg Zuid 85
Winterswijk 7102 JD Netherlands
Tel: +31 543-542343
Fax: +31 53 4500425

Philips Entertainment New Zealand
19 - 21 Kawana Street, Northcote
Auckland 0627, New Zealand
Tel: +64 9481 0100
Fax: +64 9481 0101