

Showline

SL NITRO

510C

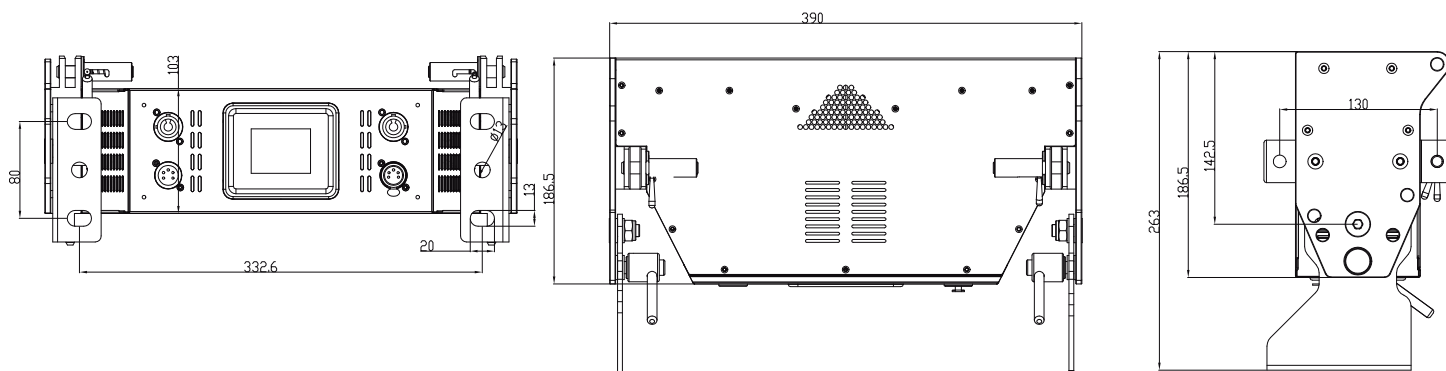
Color LED Strobe Luminaire



Features :

- Rugged Construction, IP20
- Physical similarity and connectivity with SL BAR 520 and standard NITRO 510
- Quick connections for linking fixtures end-to-end or top/bottom
- LED engine RGB & W for exceptional output and color
- Six independent zones of control
- Harmonize Color Calibration
- Preprogrammed special effects
- Continuous blinder effect
- Built-in color presets, effects and chases
- Multiple DMX modes for total control and easy retrofits
- On-board LCD Menu System for addressing and setup
- Remote configuration available via RDM
- PowerCon in and thru power connections
- 5-pin DMX-512A(RDM) in and thru connections
- Quiet temperature-controlled fan cooling
- Auto-ranging power supply (100-240V, 50/60 Hz)

Drawing Diagram :



PHILIPS

The SL NITRO 510C is a cutting-edge RGB & W LED strobe luminaire that delivers intense bursts of colored and white light and dynamic effects. The tightly packed array of 264 high power fixed white LEDs and 264 RGB LEDs ensures maximum output for both traditional white effects and an almost infinite choice of color with full field and even distribution across 120°. The rugged construction, Showline standard LCD menu system, continuous-on operation and lower power consumption guarantee the SL NITRO 510C is the perfect strobe luminaire for any application.

A unique quick-connect systems allows SL NITRO 510C units to connect together easily top-to-bottom and side-by-side. In addition, the form factor of the SL NITRO 510C matches the SL NITRO 510 and the SL BAR 520, so the three luminaries can be interconnected providing unlimited design possibilities.

Six unique zones of control allow ultimate flexibility, while unique built in chases aid in creativity and simplicity. With over 60,000 lumens of output, the SL NITRO 510C rivals conventional fixed white strobes and provides designers with an exciting new dimension to dynamic looks whether washing a stage or pointing directly at an audience.

Technical Specifications :

Version:

SL NITRO 510C, IP20

Optics:

120 degree beam angle
264 high power White SMD LEDs
264 high power RGB color SMD LEDs

Controls:

DMX-512A(RDM)
Local LCD control
Master/slave

Modes:

RGB & W Full
RGB & W Expanded
RGB & W 16-bit
RGB & W 8-bit
6 CH mode
Mapping 16-bit

Features:

Variable strobe : 0 - 650 ms
Strobe rate : 0 - 30 flashes/second
Blinder effect : Continuous with and without auto fade
Special effects : Color zone chases, white zone chases, random white flash on color background,

Physical:

100 - 240VAC, 360W
390mm x 263mm x 103mm, 8Kg
16" x 11" x 4", 17.6 lbs
CE, ETL, cTick

Luminance:

>60,000 lumens



SL NITRO 510C – Setting the new standard for strobe lighting

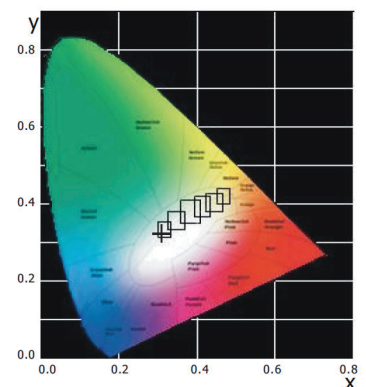
Ordering Information :

SLNITRO510C

SL NITRO 510C Color LED Strobe IP20

Harmonize Color Calibration Technology

At the heart of all Showline products is Philips Harmonize Calibration technology. Harmonize is a proprietary, advanced LED color matching system, consisting of 3 correction modules: RGB, RGBW and Cool White/Warm White. Every Showline fixture undergoes rigorous testing to provide you with consistent control of color and intensity as well as output of the highest quality.



Philips Group 2014. All rights reserved.

The Company reserves the right to make any variation in design or construction to the equipment described.

E&OE. Philips Entertainment delivers fully integrated lighting solutions; from simple lamps to complete systems designed with the specific needs of the entertainment and specialized display lighting markets.

www.philips.com/showline

Philips Entertainment U.S.
10911 Petal Street
Dallas, TX 75238
Tel: +1 214647 7880
Fax: +1 214647 8030

Philips Entertainment Lighting Asia Limited
Unit C, 14/F, Roxy Industry Centre
No. 41 - 49 Kwai Cheong Road
Kwai Chung, N.T. Hong Kong
Tel: +852 27969786
Fax: +852 27986546

Philips Entertainment Group Europe
Rondweg Zuid 85
Winterswijk 7102 JD Netherlands
Tel: +31 543-542343
Fax: +31 53 4500425

Philips Entertainment New Zealand
19 - 21 Kawana Street, Northcote
Auckland 0627, New Zealand
Tel: +64 9481 0100
Fax: +64 9481 0101