

Showline

SL WASH 180

PHILIPS



The SL WASH 180 LED is a compact moving luminaire delivering a bright homogenous beam. A variable beam angle range makes the SL WASH 180 luminaire a versatile and flexible choice for smaller venues requiring dynamic lighting designs.

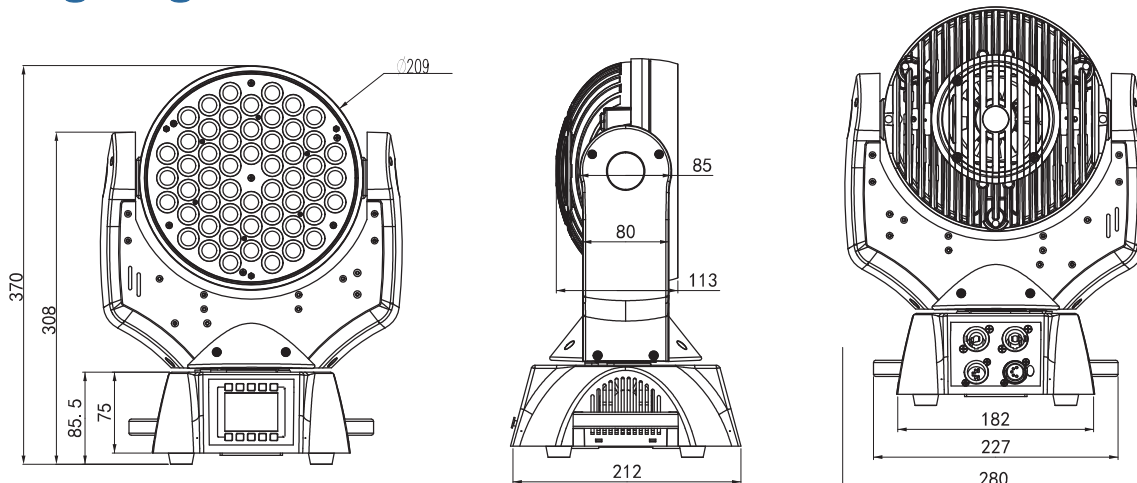
The SL WASH 180 luminaire is lightweight and extremely quiet in operation, making it ideal for lighting positions in intimate spaces. A choice of DMX modes allows you to make the appropriate choice to meet your control requirements.

As with every Showline luminaire, the SL WASH 180 utilizes the Harmonize Color Calibration system. This revolutionary process ensures color matching not only between luminaires, but also between individual pixels of each and every luminaire. Seamless color changes, powerful output, a useful zoom range and creative programming possibilities enable the SL WASH 180 to fit into a wide range of lighting applications.

Features :

- Rugged Construction
- Philips LumiLeds RGBW LED's for exceptional output and color
- Built-in color presets, effects and chases
- HSIC (Hue - Saturation - Intensity - Color temperature) operation mode
- 8 or 16-bit DMX-512A operation for smooth stepless fades
- On-board LCD Menu System for addressing and setup
- Remote configuration available via RDM
- PowerCon in and thru power connections
- 5-pin DMX-512A(RDM) in and thru connections

Drawing Diagram :



Technical Specifications :

Version:
SL WASH 180 RGBW, IP20

Optics:
12 - 45 degree Zoom
54 high power LEDs

Controls:
DMX-512A(RDM)
Local LCD control
Master/slave

Physical:
90-240VAC, 180W
370mm x 280mm x 212mm, 8kg
CE

Luminance:
3475 lumens

CRI/CQS:
>90 (RGBW)

Features:
Color Gel filter preset
Chase - Strobe + Duration Effect Engine
LED & Tungsten Curves selection
Pan/Tilt shape Effect Engine

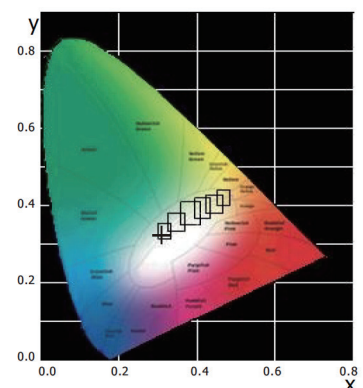
Modes:
HSIC
8 bit RGBW
16 bit RGBW

Ordering Information :

SLWASH180 SL WASH 180 RGBW Moving LED
88-095-4132-36

Harmonize Color Calibration Technology

At the heart of all Showline products is Philips Harmonize Calibration technology. Harmonize is a proprietary, advanced LED color matching system, consisting of 3 correction modules: RGB, RGBW and Cool White/Warm White. Every Showline fixture undergoes rigorous testing to provide you with consistent control of color and intensity as well as output of the highest quality.



Philips Group 2012. All rights reserved.

The Company reserves the right to make any variation in design or construction to the equipment described.

E&OE. Philips Entertainment delivers fully integrated lighting solutions; from simple lamps to complete systems designed with the specific needs of the entertainment and specialized display lighting markets.

Philips Entertainment
U.S. 10911 Petal Street
Dallas, TX 75238
U.S.A
Tel: +1 214647 7880
Fax: +1 214647 8030

Philips Entertainment Lighting Asia
Limited Unit C, 14/F, Roxy Industry Centre
No. 41 - 49 Kwai Cheong Road
Kwai Chung, N.T. Hong Kong
Tel: +852 27969786
Fax: +852 27986546

Philips Entertainment Group
Europe Rondweg Zuid 85
Winterswijk 7102 JD
Netherlands Tel: +31
543-542343
Fax: +31 53 4500425

Philips Entertainment New Zealand
19 - 21 Kawana Street, Northcote
Auckland 0627, New Zealand
Tel: +64 9481 0100
Fax: +64 9481 0101