

PHILIPS

dynalite 

User Interfaces
EU

Inspired design, **ultimate control**

Beautiful interface solutions with user friendly functionality for every interior.





Contents

Antumbra Series	4-9
Revolution Series	10-11
Classic Series	12-13
Standard Series	14-15
Custom keypads	16
Color Touchscreens	17
DynamicTouch & EnvisionTouch apps	18-19
Ordering information	20-23

Antumbra Series

The stunning Antumbra range has an unprecedented number of features, packaged in a choice of three designs that redefine the concept of minimalist chic. When you first encounter Antumbra, it will detect your body's own magnetic field and 'wakes up' with a striking wall-wash lighting effect. With its array of inbuilt features, the Antumbra range offers an unparalleled balance of form and function.



The innovative use of **'field effects technology'** allows the keypad to automatically detect your presence by your body's own magnetic field.

A **wall-wash lighting effect** is triggered when approached, to welcome interaction. The built-in light sensor detects ambient light levels and ensures the wall-wash effect activates at a comfortable brightness level.

Each keypad contains an **integral temperature sensor**, allowing the temperature to be monitored at different locations throughout a building and obviating the need for third-party BMS or HVAC sensors and controls.



Designed in two halves, the keypad **can be installed in two stages**, without the need for further programming when the façade is installed.

Labeling for the Antumbra keypads are available in a **choice of English, Arabic and Chinese**, with an additional library of icons that has been created to give a visual representation of button functions in a way that transcends language barriers.

All indicators and sensor input functions are completely hidden, giving a **smooth streamlined finish**.

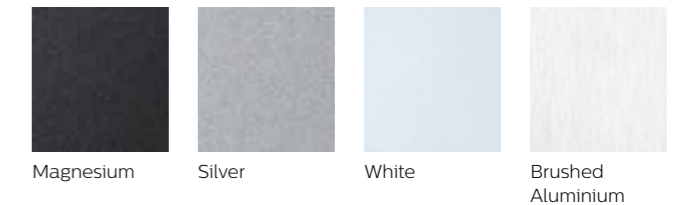
A selection of rim and fascia finish options are available for each Antumbra keypad. These can be mixed and matched to suit.



AntumbraButton

The AntumbraButton range utilizes large mechanical buttons. Different finish options are available for the fascia and rim of the keypad – all color options can be mixed and matched. Customized labeling of text and icons can be added.

AntumbraButton fascia finishes



AntumbraButton rim options

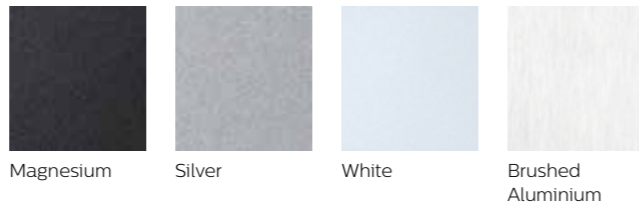




AntumbraDisplay

The AntumbraDisplay contemporary design features a number of buttons and a central LCD display to present multiple pages of functions and systems information such as lighting scene or level, air conditioning temperature and set-point. Different color finish options are available for the fascia and rim. Color finishes can be mixed and matched.

AntumbraDisplay fascia finishes



AntumbraDisplay rim options





AntumbraTouch

The AntumbraTouch range has a smooth glass finish and uses 'capacitive touch' technology to detect the presence of a finger to trigger a button-press action. Descriptive text and icon labeling to describe functionality, is available for this range.

AntumbraTouch fascia finishes



Black

White

AntumbraTouch rim options



Aluminium

Chrome

Black

White

Revolution Series

The ultimate in choice and flexibility. Select from a vast range of standard plate finishes or custom finishes. Each button can be custom engraved with text or icons that help describe its functionality and the engraving is back-lit.

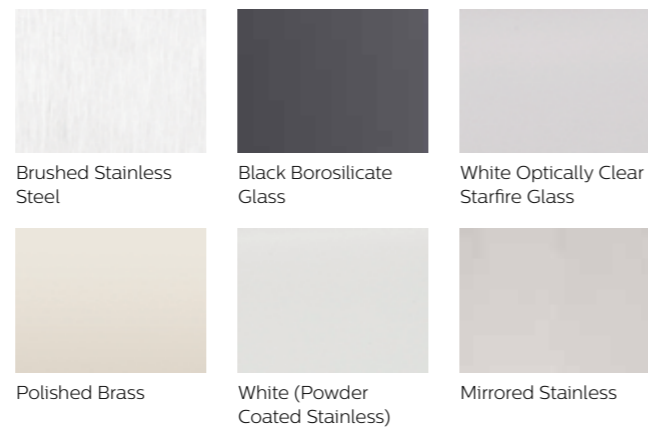


Standard options

(throughout range)

- The Revolution Series come in either single or double row configurations.
- Custom keypads can be created for any commercial or residential use and engraved to your specific requirements.
- The button configurations are listed on page 21.

Fascia finishes



Button colors



Led indicators

Displaying feedback of users current selection.

Button sizes

Single, double, and triple height buttons enhance configuration possibilities.

Button engraving

Buttons can be labeled to identify purpose or area, providing accurate explanation of function.

Fascia options

Suitable for an extensive range of materials providing unlimited décor matching possibilities.

Back-lit buttons

Improves keypad visibility in all lighting conditions.

Custom features

Vast range of optional devices including faders, displays, key switches and plug sockets for unique control solutions.

Classic Series

Contemporary styled stainless steel panels that are perfectly suited to any commercial environment.

Available in a wide range of standard options which include network sockets, key switches and fader sliders. Each plate and switch cap can be custom engraved. Standard options including various button configurations, are available throughout the range.

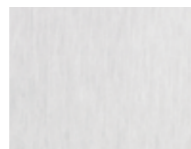


Standard options

(throughout range)

- The button configurations are listed on page 22.

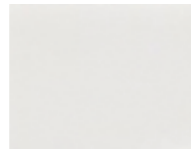
Fascia finishes



Brushed Stainless Steel



Polished Brass



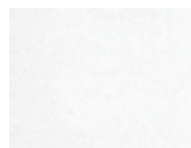
Mirrored Stainless Steel



White Powder Coated Steel

Custom powder coats are available upon request.

Standard button colors



Silver



Charcoal

LED indicators provide tactile and visual feedback.

Square button silver caps with black bezel and black engraving. (Charcoal buttons also a standard option.)

High quality brushed **stainless steel** finish.



Caps are easily removed for **engraving** for easy function identification.

Robust keypads are perfect for commercial and residential applications.

Standard Series

Anything but standard, beautifully formed and highly functional. Built with the full Philips Dynalite feature set, these simple yet elegant keypads bring the full power of the automated system to a touch of a button. Available in a range of different cover finishes and switch cap colors.



Standard options

(throughout range)

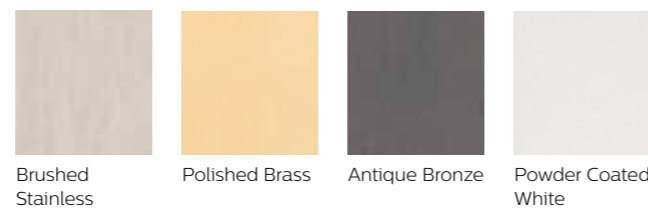
- Slim line mounting
- Two grid plates available, one or two columns (five or ten buttons)
- Smooth action switches with LED indicator
- Optional engraved buttons
- The button configurations are listed on page 22.

DLPE fascia finishes

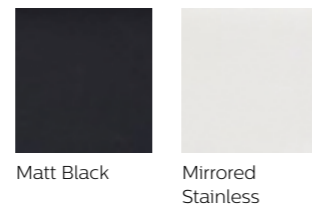


White Silver

DPWE fascia finishes

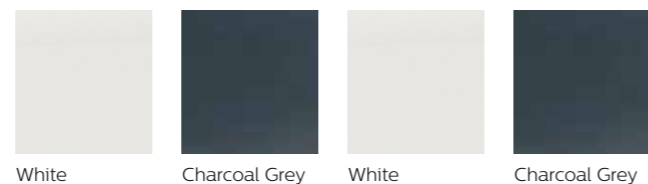


Brushed Stainless Polished Brass Antique Bronze Powder Coated White



Matt Black Mirrored Stainless

Button colors



White Charcoal Grey

Bezel colors



White Charcoal Grey



Aesthetically pleasing, providing integrated automation in commercial buildings and homes.

Available in two configurations: single column, up to five buttons and a dual column design for up to ten buttons.

Smooth action buttons with LED indicators provide tactile and visual feedback and are easily removed for engraving.

Available in two profile sizes, the DPWE is ultra thin.

Incorporates a miniature DyNet control network socket under the snap-on keypad cover, enabling system adjustments and programming from any user control keypad on the network.



DPWE DLPE

Custom keypads

Build a custom keypad to meet your needs; choose from a multitude of button sizes, colors and layouts; key switches to lock-out unauthorized use, mechanical faders for individual channel control and network sockets for connection to the Dynalite DyNet lighting control and home automation network.



Color Touchscreens

A Dynalite color touchscreen adds a new dimension of control. Each touchscreen supports a range of features that provide end-users the ultimate in automation system interaction. The screen interface can be customized to control all automation elements from one location.



Sooth action buttons with LED indicators.

Mechanical faders for individual channel control.

Custom fascia engraving options.

Custom features

Optional devices

Vast range of optional devices including faders, displays, key switches and plug sockets for unique control solutions.

Fascia options

Suitable for an extensive range of materials providing unlimited décor matching possibilities.

Button and fascia engraving

Clearly labeled button functions ensuring intuitive system operation.



Color of fascia can also be matched with revolution or custom control keypads. (Fascia shown in Black Borosilicate glass finish.)

Larger touchscreens.

Intuitive floor plans can be displayed for easy user navigation.

Fascia finishes



Brushed Stainless Steel



Black Borosilicate Glass



White Optically Clear Starfire Glass

- Two different touchscreen sizes are available to suit the required function. Refer to page 23 for further information.

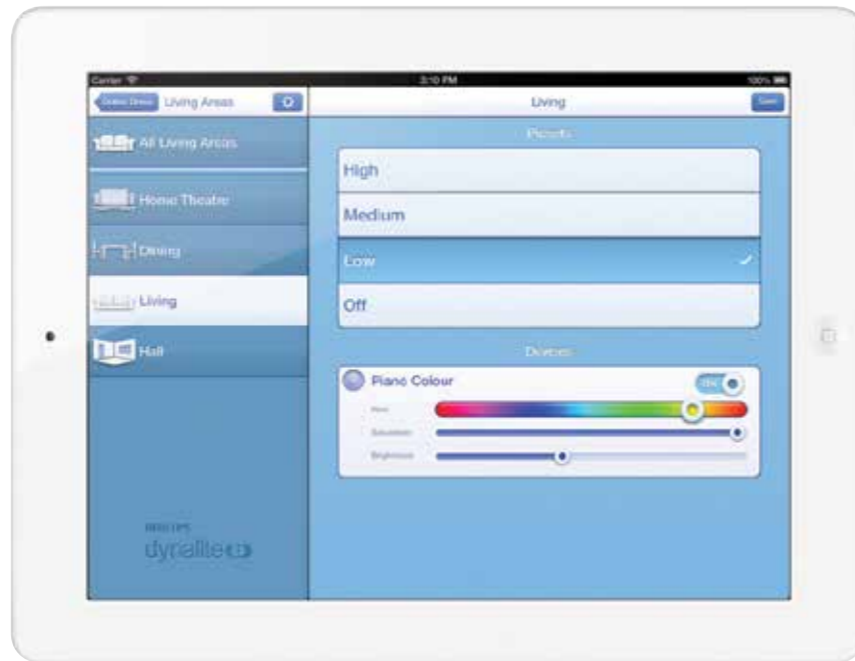
DynamicTouch & EnvisionTouch apps

EnvisionTouch will comfortably exceed smart-home control requirements, while customers who want a unique and finely tuned, bespoke user interface for their office as well as their home can turn to DynamicTouch for a completely tailored solution. Together, both apps deliver unprecedented levels of choice and control into the hands of the end-user.



EnvisionTouch offers standardized templates and functionality reducing commissioning time, while DynamicTouch is fully customizable to meet with end-users requirements.

- View current system status and make adjustments to lighting, HVAC, blinds and other equipment connected to the Dynalite control network.
- Adjust standard light sources via sliders.
- Single-click control allows for pre-defined user preferences to be recalled.
- EnvisionTouch is available for iOS 7.0+ and Android 2.1+ and DynamicTouch is available for iOS 5.0+ devices only.



iPad with EnvisionTouch App – featuring a standardized template for simplified commissioning and installation.



iPhone with DynamicTouch App – a totally customizable app.

EnvisionTouch / DynamicTouch – points of difference

EnvisionTouch

- Available in two versions: iOS for Apple devices; and Android format for Android devices.
- Self-configuring application with standardized templates and functionality to speed up and simplify commissioning & installation processes.

DynamicTouch

- Available for Apple devices only.
- Fully customizable app for home or commercial control.

Ordering information

Technical information and product ordering codes for user interfaces and options are outlined in this section. Please contact your local Philips Representative or Distributor for more information and advice.



Antumbra Series

Ordering information

PABPE-WW-X

Philips Antumbra
BP = Button Panel
TP = Touch Panel
DP = Display Panel
The base product naming

European
The panel is also available in Australian/North American style

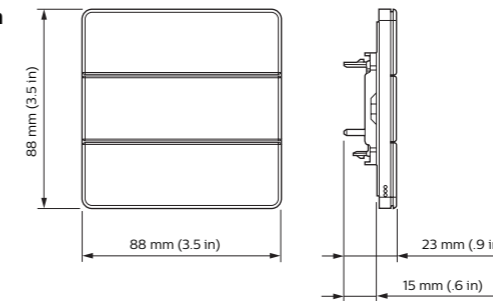
Button finish
W = White
M = Magnesium
S = Silver
B = Black (Touch only)

Rim finish
W = White
M = Magnesium
C = Chrome
A = Aluminium
B = Black (Touch only)

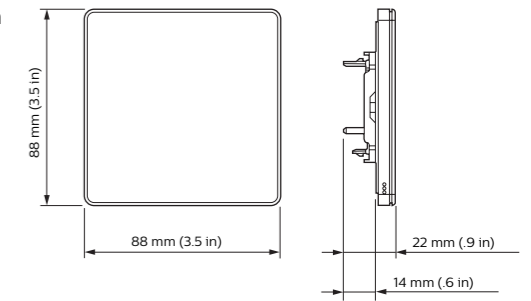
Button labeling
X = No labeling
L = Labeling
Not applicable to AntumbraDisplay

Dimensions

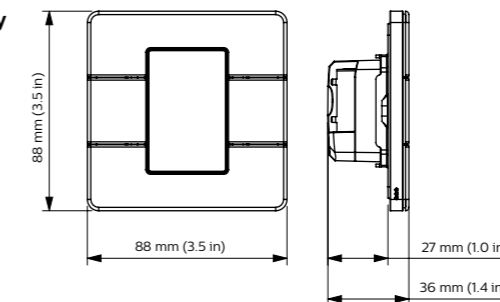
AntumbraButton



AntumbraTouch



AntumbraDisplay



Antumbra Online Configurator Tool



Revolution Series

Ordering information

Button color

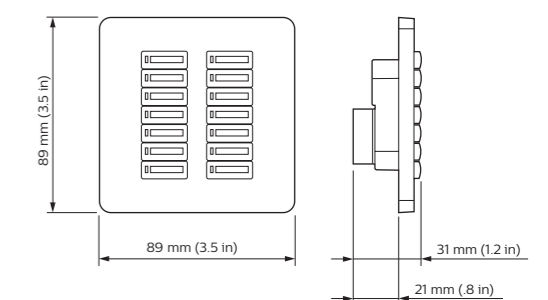
White
Charcoal
Silver

Cover finish

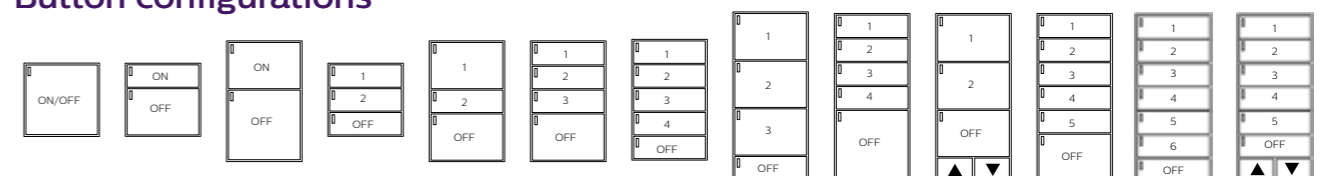
Brushed Stainless Steel
Black Borosilicate Glass
White Optically Clear Starfire Glass
Polished Brass (Gold Plated Polished Stainless)
Antique Bronze
White (Powder Coated Stainless)
Mirrored Stainless
No Cover

Dimensions

DR2PE



Button configurations



Classic Series

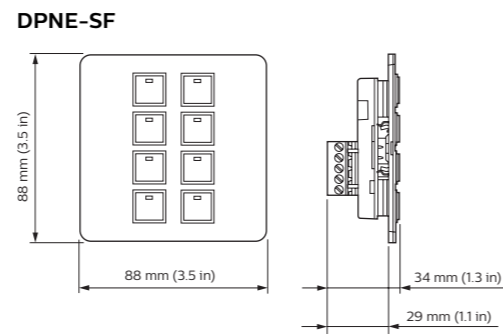
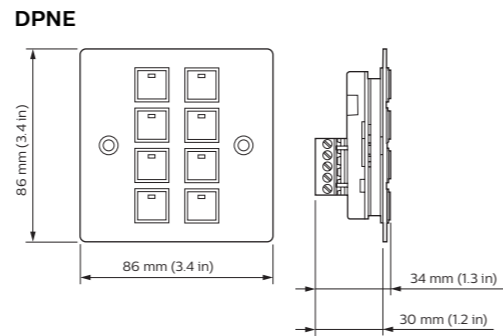
Ordering information

Part number = DPN or DPN-SF plus number below:	
926	2 Button 2 Room Join Keypad
908J	0 Button Keypad with 2 Room Join Keyswitch
908J3	0 Button Keypad with 3 Room Join Keyswitch
941F1	4 Button Preset Keypad with Single Fader
941D	4 Button Preset Keypad with Keypad Enable Keyswitch
941N	4 Button Preset Keypad with DyNet Socket
941J	4 Button Preset Keypad with 2 Room Join Keyswitch
941J3	4 Button Preset Keypad with 3 Room Join Keyswitch
946	4 Button 3 Room Join Keypad
946D	4 Button 3 Room Join Keypad with Disable Keyswitch
951F4	5 Button Preset 4 Fader Keypad
951F6	5 Button Preset 6 Fader Keypad
951F8	5 Button Preset 8 Fader Keypad
951F12	5 Button Preset 12 Fader Keypad
981D	8 Button Preset with Keypad Enable Keyswitch
981J	8 Button Preset Keypad with 2 Room Join Keyswitch
981J3	8 Button Preset Keypad with 3 Room Join Keyswitch
981N	8 Button Preset Keypad with DyNet Socket
982J	8 Button Program Keypad with 2 Room Join Keyswitch
982J3	8 Button Program Keypad with 3 Room Join Keyswitch

PLUS finish code:	
MS	Mirrored Stainless Steel
GS	Gold Plated Stainless Steel
BS	Coated Solid Brass
PC	Custom Powdercoat*

*Consult your Philips Representative for advice.

Dimensions



Standard Series

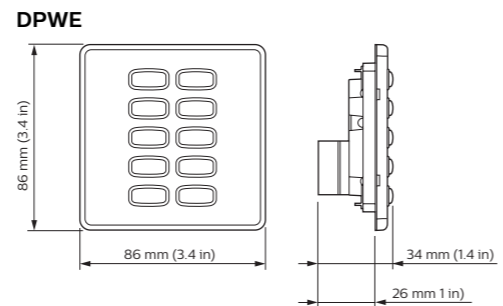
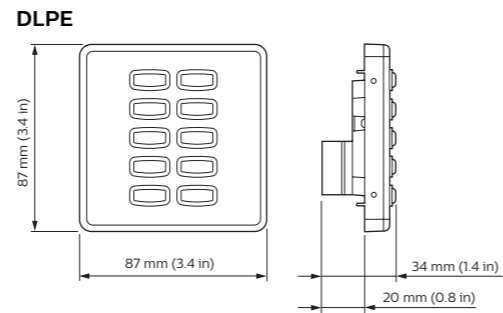
Ordering information

Detailed below are catalogue numbers for the standard keypad configurations, which are supplied complete with blue LED status indicators.

DLPE	brushed stainless steel covers, charcoal grey buttons and charcoal grey bezels
DPWE	white covers, blank white buttons and white bezels

Grid plate	Configurable keypad	
	DLPE	DPWE
1 Button	DLPE910	
2 Button	DLPE920	DPWE950
5 Button	DLPE950	
6 Button	DLPE960	
7 Button	DLPE970	DPWE9100
10 Button	DLPE9100	

Dimensions



Color Touchscreens

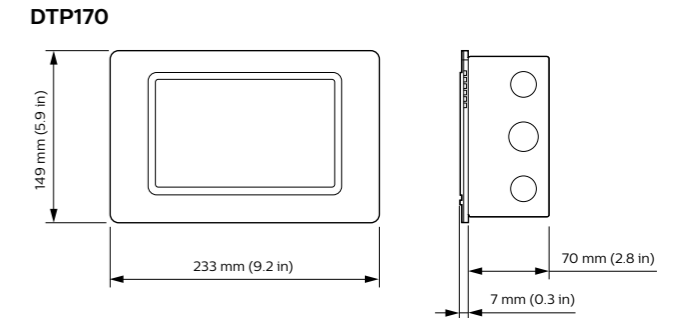
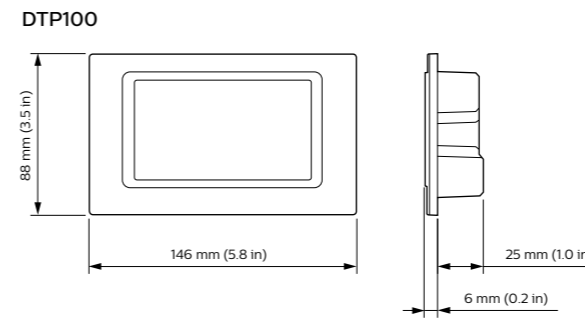
Ordering information

DTP100*

DTP100	Stainless Steel (standard)
DTP100-BG	Black Glass fascia (option)
DTP100-WG	White Glass fascia (option)
DTP100-WALLBOX-RECESS METAL	Recess metal wallbox
DTP100-WALLBOX-SURFACEMOUNT	Surface mount wallbox

*Custom fascia finishes also available – ask your Philips Representative.

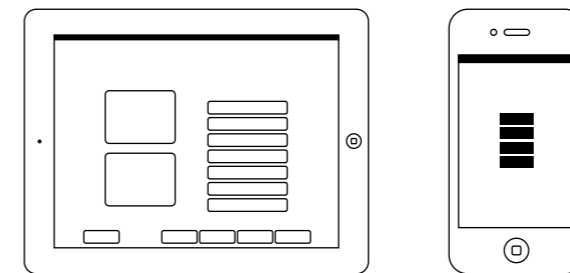
Dimensions



DTP170*

DTP170	Stainless Steel fascia, no wallbox
DTP170-BG	Black Glass fascia (option)
DTP170-WG	White Glass fascia (option)
DTP170-WB	Stainless Steel fascia, with wallbox
DTP170-WALLBOX	Wallbox only

DynamicTouch & EnvisionTouch apps



DynamicTouch IOS QR



EnvisionTouch IOS QR



EnvisionTouch Android QR



www.philips.com/dynalite

© 2015 Koninklijke Philips N.V. All rights reserved.

All rights reserved. Reproduction in whole or in part is prohibited without the prior written consent of the copyright owner. The information presented in this document does not form part of any quotation or contract, is believed to be accurate and reliable and may be changed without notice. No liability will be accepted by the publisher for any consequence of its use. Publication thereof does not convey nor imply any license under patent – or other industrial or intellectual property rights. Document order number: U1EU0112 Data subject to change.

U1EU0112-0815-AZZAUS