

SL SUNLED 10

▶ Photometric Data

Light source specifications

Optics: PMMA+PC
 Beam angle: 16 degree
 Light distribution: symmetric direct illumination
 CRI: up to 80

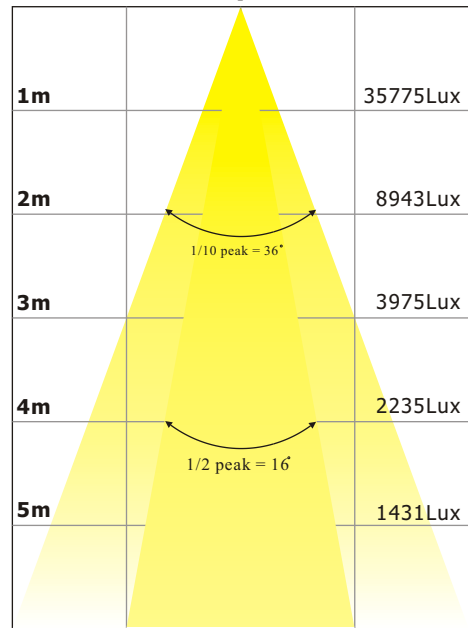
Illuminance

| DISTANCE | 1m | 2m | 3m | 5m |
|----------|-------|------|------|------|
| COLOR | Lux | Lux | Lux | Lux |
| 2700K | 35775 | 8943 | 3975 | 1431 |

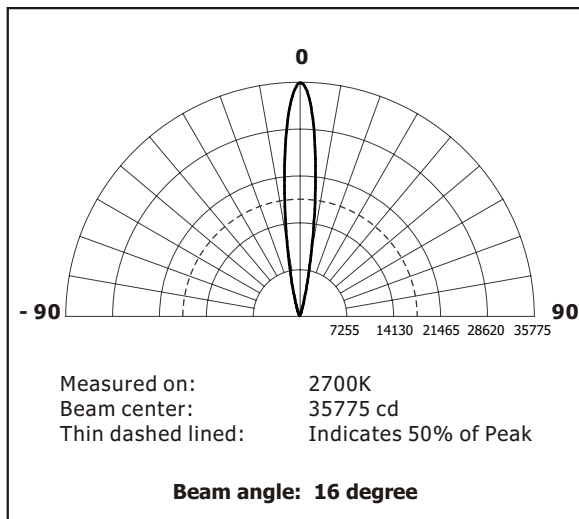
Light output

| COLOR | Total (lumens) | Power(watts) | Efficacy(lm/W) |
|-------|----------------|--------------|----------------|
| 2700K | 6039 | 143.2 | 42.2 |

Full intensity in WW



Light distribution



IES file is also available

Isolux diagram

