

PHILIPS

Ledinaire

LED range



Simply great LED

Switch now to great quality LED at an affordable price.

The Philips **Ledinaire** range of LED luminaires



**Ledinaire batten
BN060C**



**Ledinaire waterproof
WT060C**



Pentura mini LED



**Ledinaire panel
RC065B**



**Ledinaire recessed
RC060C**



**Ledinaire surface-mounted
SM060C**



**Ledinaire downlight
DN060B**



**Zadora LED
recessed spot**



**ClearAccent RS060B
recessed spot**

Different product ranges to meet your needs

Each range has different specifications so you can choose the product that suits you.

	Ledinaire	CoreLine
Range	Selective range of popular types	Complete range, a solution for every application
Lumen maintenance of luminaires typically	30,000 hrs	50,000 hrs
Reliability level: driver failure rate	< 1.5% at 5,000 hrs	< 1% at 5,000 hrs
Warranty	3 years	3 + 2 years at registration
Design	Standard, robust design	Robust design with ease of installation in mind
Projects specifications available	<ul style="list-style-type: none"> • basic range and specifications only • non-office compliant • fixed output only. 	<ul style="list-style-type: none"> • Office compliant UGR<19 • Dali connectable • emergency lighting • different flux packages.

Switching to LED has never been simpler

The Philips Ledinaire range features a selection of popular LED luminaires that are energy efficient and reliable, at a price you can afford. We keep our prices competitive by focusing on those runner types that are most in demand, while keeping the packaging and service straightforward. Evidently you can be sure the product reliability achieves our high quality standards.

Great quality at a price you can afford



Affordable lighting
from the leading
name in LED



A range of popular
energy-saving
LED luminaires,
available off the
shelf



Quality you can
trust - you get
exactly what you
see on the box

Ledinaire batten BN060C

Designed for general lighting and cove lighting applications.

Features:

- one-lamp 1600 lm and two-lamp 3200 lm version
- Philips CorePro LEDtube included (4000 K)
- light line up to ten battens
- mounting accessories included.

Benefits:

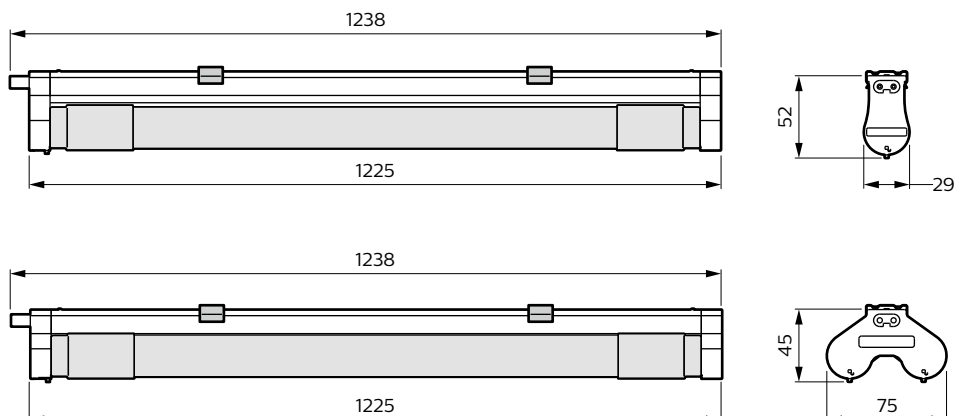
- Philips quality and reliability
- energy saving
- compact design.



Producttype	Light output	Power	CCT	EOC
	lm	W	K	
BN060C 1xTLED16/840 L1200	1600	18	4000	07007999
BN060C 2xTLED16/840 L1200	3200	36	4000	07009399

Technical specifications

Mains voltage	220-240 V / 50-60 Hz
Lifetime	30,000 hrs L70B50
CRI	> 80
Connection	Flying leads/wires
IP rating	IP20
Power factor	0.9
Safety class	Class II
Housing material	Aluminum
Color	WH White



Ledinaire waterproof WT060C

Professional quality waterproof LED luminaire for use in a multitude of project applications.

Features:

- robust and waterproof luminaire
- 1200 mm & 1500 mm length
- mounting bracket can be positioned over full length of luminaire.

Benefits:

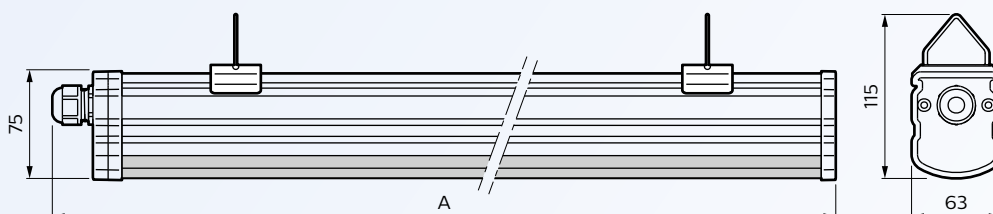
- Philips quality and reliability
- energy saving
- diffuse comfortable light.



Producttype	Light output	Power	CCT	Length	EOC
	lm	W	K	mm	
WT060C LED36S/840 PSU L1200	3600	38	4000	1180	06965399
WT060C LED55S/840 PSU L1500	5500	58	4000	1480	06967799

Technical specifications

Mains voltage	220-240 V / 50-60 Hz
Lifetime	30,000 hrs L70B50
CRI	> 80
Connection	Screw connection block
IP rating	IP65
IK rating	IK08
Glow wire test	850°
Power factor	0.9
Safety class	Class I
Housing material	Polycarbonate
Color	GR Grey (RAL7035)



Pentura mini LED

The ultimate integrated LED mini batten.

Features:

- ultra-slim LED batten
- available in 300, 600, 900 and 1200 mm lengths
- 3000 K & 4000 K versions
- non-trunkable version with on/off switch available.

Benefits:

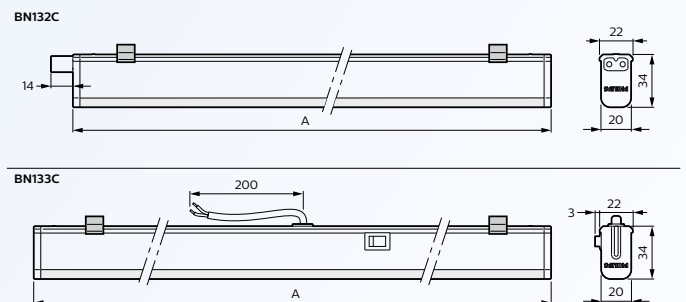
- Philips quality and reliability
- energy saving
- compact design.



Producttype	Light output	Power	CCT	Length	EOC
	lm	W	K	mm	
BN132C LED12S/840 PSU L1200	1250	14	4000	1184	07243199
BN132C LED12S/830 PSU L1200	1250	14	3000	1184	07244899
BN132C LED9S/840 PSU L900	950	10	4000	884	07245599
BN132C LED9S/830 PSU L900	950	10	3000	884	07246299
BN132C LED6S/840 PSU L600	650	7	4000	584	07247999
BN132C LED6S/830 PSU L600	650	7	3000	584	07248699
BN132C LED3S/840 PSU L300	350	4	4000	324	07249399
BN132C LED3S/830 PSU L300	350	4	3000	324	07250999
BN133C LED6S/840 PSU L600	650	7	4000	584	07251699
BN133C LED6S/830 PSU L600	650	7	3000	584	07252399

Technical specifications

Mains voltage	220-240 V / 50-60 Hz
Lifetime	40,000 hrs L70B50
CRI	> 80
Connection	Flying leads/wires
IP rating	IP40
Power factor	0.9
Safety class	Class II
Housing material	Polycarbonate
Color	WH White



On/off switch BN133C

Ledinaire panel RC065B

Energy efficient, professional luminaire for general lighting applications.

Features:

- accessories for plaster, surface-mounted and suspension available
- 3200 lm light output
- 4000 K version
- modern, unobtrusive design.

Benefits:

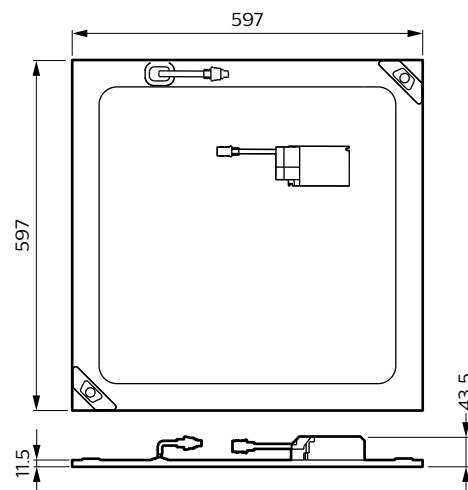
- Philips quality and reliability
- energy saving
- diffuse comfortable light.



Producttype	Light output	Power	CCT	EOC
	lm	W	K	
RC065B LED32S/840 PSU W60L60 NOC	3200	42	4000	07328599

Technical specifications

Mains voltage	220-240 V / 50-60 Hz
Lifetime	30,000 hrs L70B50
CRI	> 80
Connection	Push-in with pull-relief
IP rating	IP20
Power factor	0.9
Safety class	Class II
Housing material	Painted steel
Color	WH White (RAL9016)



Available mounting accessories

		EOC
RC125Z SME-2 WH	Suspension	07334699
RC125Z SMB-PLC	Plaster ceiling version (PCV)	07333999
RC125Z SMB W60L60	Surface-mounted (SM)	07330899
RC125Z SC	Safety cable	07335399

Ledinaire recessed RC060B and Ledinaire surface-mounted SM060C

Energy efficient, professional luminaire for general lighting applications.



Recessed



Surface-mounted

Features:

- square and rectangular versions available
- recessed and surface-mounted versions
- 3000 K & 4000 K versions
- 3200 lm light output.

Benefits:

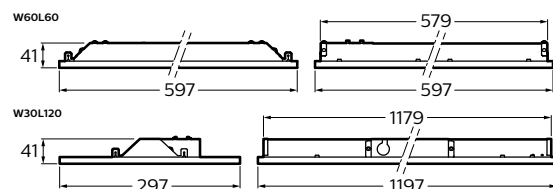
- Philips quality and reliability
- energy saving
- diffuse comfortable light.

Producttype	Light output	Power	CCT	EOC
	lm	W	K	
RC060B LED32S/840 PSU W60L60	3200	36	4000	06958500
RC060B LED32S/830 PSU W60L60	3200	36	3000	06959200
RC060B LED32S/840 PSU W30L120	3200	36	4000	06960800
RC060B LED32S/830 PSU W30L120	3200	36	3000	06961500
SM060C LED32S/840 PSU W20L120	3200	36	4000	06962200
SM060C LED32S/830 PSU W20L120	3200	36	3000	06963900

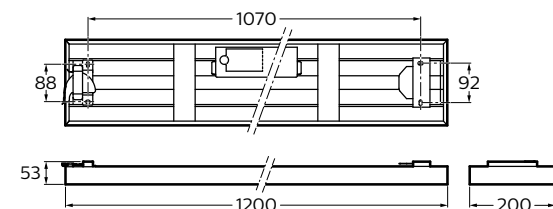
Technical specifications

Mains voltage	220-240 V / 50-60 Hz
Lifetime	30,000 hrs L70B50
CRI	> 80
Connection	Push-in with pull-relief
IP rating	IP20
Power factor	0.9
Safety class	Class I
Housing material	Painted steel
Color	WH White (RAL9003)

Recessed



Surface-mounted



Ledinaire downlight DN060B

Energy efficient, professional luminaire for general lighting applications.

Features:

- 800 lm & 1800 lm light output
- 3000 K & 4000 K versions
- modern, unobtrusive design.

Benefits:

- Philips quality and reliability
- energy saving
- diffuse comfortable light.

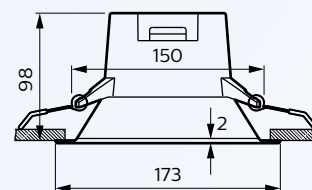
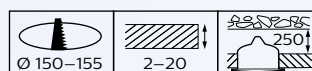


Producttype	Light output	Power	CCT	EOC
	lm	W	K	
DN060B LED8S/830 PSU WH	800	9	3000	30662999
DN060B LED8S/840 PSU WH	800	9	4000	30664399
DN060B LED18S/830 PSU WH	1800	18	3000	30661299
DN060B LED18S/840 PSU WH	1800	18	4000	30663699

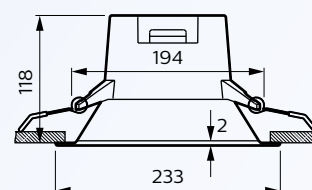
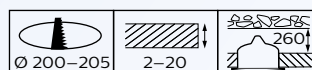
Technical specifications

Mains voltage	220-240 V / 50-60 Hz
Lifetime	30,000 hrs L70B50
Driver	Non-dimmable driver (PSU)
CRI	> 80
Connection	Push-in with pull-relief
IP rating	IP20
Power factor	0.9
Safety class	Class I
Housing body material	Polycarbonate
Reflector material	Steel
Diffuser material	PMMA
Color	WH White (RAL9016)

LED8S



LED18S



Zadora LED - recessed spot

Recessed spot kit including replaceable LED lamp.

Features:

- WH White or ALU Aluminium finish available
- 2700 K, 3000 K & 4000 K versions
- kits with different LED lamps available.



Benefits:

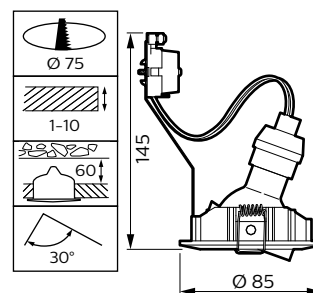
- Philips quality and reliability
- energy saving
- replaceable LED lamps.

Spot name	Lifetime (L70B50)	Beam angle	Dimmable
MASTER LEDspot	35,000 hrs	40D	Yes
CorePro LEDspot	15,000 hrs	36D	No
Classic LEDspot	15,000 hrs	36D	No

Producttype	Light output	Power	CCT	EOC
	lm	W	K	
RS049B LED-MS-40-5W-2700-GU10 WH 50W	365	5	2700	07012399
RS049B LED-MS-40-5W-4000-GU10 WH 50W	390	5	4000	07013099
RS049B LED-MS-40-5W-2700-GU10 ALU 50W	365	5	2700	07014799
RS049B LED-MS-40-5W-3000-GU10 WH 50W	375	5	3000	07015499
RS049B LED-MS-40-5W-3000-GU10 ALU 50W	375	5	3000	07016199
RS049B LED-CP-36-5W-3000-GU10 WH 50W	360	5	3000	07303299
RS049B LED-CP-36-5W-4000-GU10 WH 50W	380	5	4000	07304999
RS049B LED-CL-36-4.6W-2700-GU10 WH 50W	355	4.6	2700	07305699

Technical specifications

Mains voltage	220-240 V / 50-60 Hz
Driver	Dimmable on leading and trailing edge dimmers
CRI	> 80
Connection	Screw connection block
IP rating	IP20
Power factor	0.9
Safety class	Class II
Housing material	Polycarbonate
Color	WH White or ALU Aluminium



ClearAccent RS060B and RS061B - recessed spot

LED Luminaire with integrated driver.

Features:

- fixed and adjustable versions available
- 3000 K & 4000 K versions
- 500 lm light output
- modern, unobtrusive design.

Benefits:

- Philips quality and reliability
- energy saving
- faceted reflector look and feel
- easy installation with driver on-board.

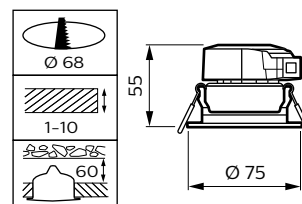


Producttype	Light output	Power	CCT	EOC
	lm	W	K	
RS060B LED5-36-/830 PSR II WH	500	6	3000	07267799
RS060B LED5-36-/840 PSR II WH	500	6	4000	07268499
RS061B LED5-36-/830 PSR II WH	500	6	3000	07269199
RS061B LED5-36-/840 PSR II WH	500	6	4000	07270799

Technical specifications

Mains voltage	220-240 V / 50-60 Hz
Lifetime	25,000 hrs L70B50
Beam angle	36 degrees
Driver	Dimmable driver (PSR)
CRI	> 80
Connection	Screw connection block
IP rating	IP20
Power factor	0.9
Safety class	Class II
Housing material	Aluminium
Color	WH White (RAL9010)

RS060B



RS061B

