

TV and location lights **150S**

Philips Strand 150S is a slimline LED studio softlight designed specifically for TV broadcast lighting. With a very high TLCI rating in excess of 94 and a consistent 3100K and 5600K soft, even, 50° beam output with quiet operation.

A large illuminance output area, 50° beam angle for a smooth even output to a far distant object. High performance optical system formed by a high quality PMMA convex lens and frost panel filter. With on board full color LCD display, all necessary data such as DMX address, intensity, Cd value, CRI, LED/tungsten mode, curve type, CCT and internal temperature can be viewed at all times. With the simple “touch and turn” design, all parameters can be easily adjusted.

Product data



Features and benefits

- Fixed stable color temperature.
- High TLCI.
- No fans - silent cooling.
- Real time intensity display.
- Selectable LED or “tungsten” response.
- Color LCD display.
- Easy “touch and turn” operation.
- Local and DMX control.
- RDM setup.
- powerCON AC and 5 pin DMX in & thru connectors.
- Two year limited warranty.

Source	LED
Wattage	150W
Color temperature	3100K 5600K
TLCI	94 96
Beam angle	50°
Lens size	–
Color filter size	585 x 238mm (23 x 9.4in)
Dimming	Local DMX 8 or 16-bit
Operating voltage	90–240VAC (auto-ranging)
Frequency	50/60Hz
Current draw	0.68A
Power consumption	150W (max)
Ambient temperature	0–40°C
Cooling	Natural convection
Humidity	5–95% non-condensing
IP rating	IP20
Finish	Black
Construction	Aluminium extrusion and sheet
Dimensions H x W x D	593 x 327 x 117mm (23.35 x 12.87 x 4.6in) Manual operation 735 x 560 x 137mm (28.94 x 22.05 x 9.33in) Pole operation
Weight	8.4kg (18.52lb) Manual operation 9.5kg (20.94lb) Pole operation
Warranty	2 years

Product data

Philips Strand 150S

Type	Color temp	TLCI	Wattage	Beam	Overall dimensions W x H x D	Weight	Order Code
Manual operation	3100K	94	150W	50°	593 x 327 x 117mm (23.35 x 12.87 x 4.6in)	8.4kg (18.52lb)	150S3100K
Manual operation	5600K	96	150W	50°	593 x 327 x 117mm (23.35 x 12.87 x 4.6in)	8.4kg (18.52lb)	150S5600K
Pole operation	3100K	94	150W	50°	735 x 560 x 137mm (28.94 x 22.05 x 9.33in)	9.5kg (20.94lb)	150S3100KPO
Pole operation	5600K	96	150W	50°	735 x 560 x 137mm (28.94 x 22.05 x 9.33in)	9.5kg (20.94lb)	150S5600KPO

Accessories

	Order Code
20° honeycomb	150SHC20
36° honeycomb	150HC36
8 leaf barndoor	150SBD8L

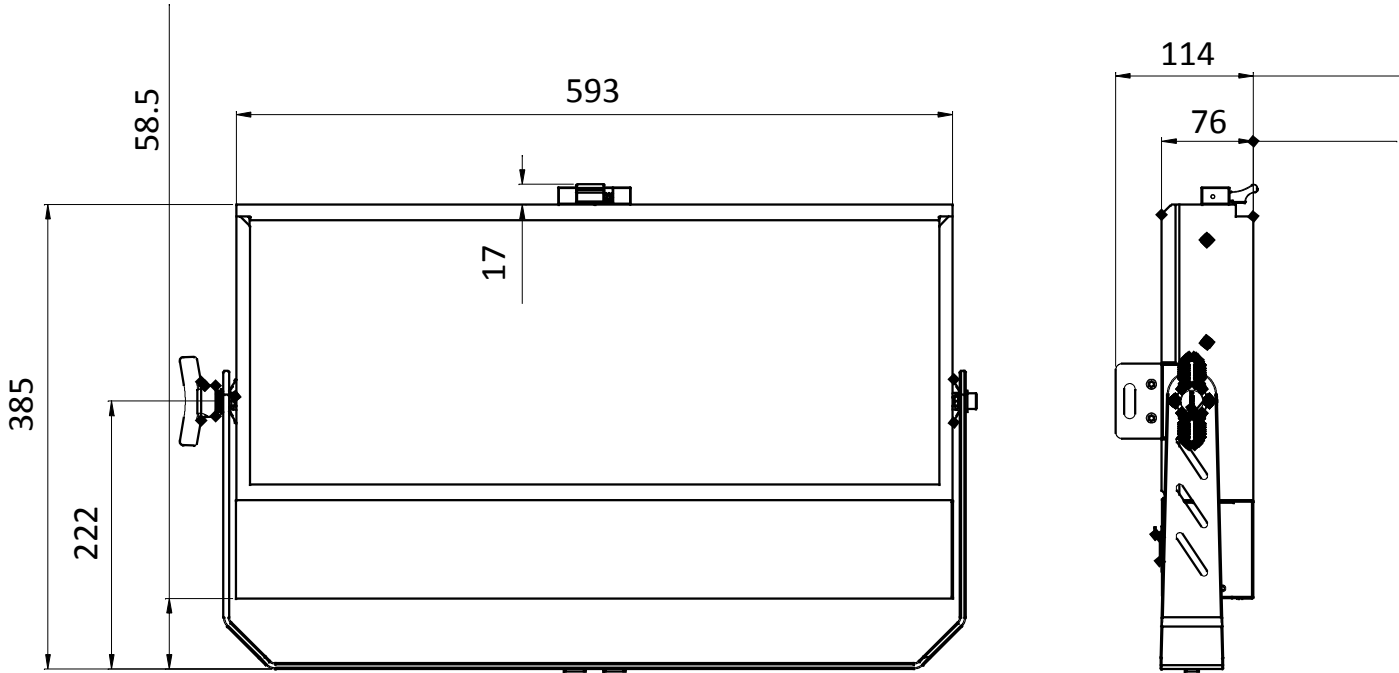
Photometry

Ambient temperature: 25°C

	Stand alone	20° honeycomb	36° honeycomb
Beam angle	50°	20°	36°
Field angle	88°	39°	67°
Central intensity	12000Cd	7000Cd (loss 41.7%)	9850Cd (loss 18%)
Illuminance @ 5m	580lx	320lx	480lx

Dimensional drawing

Manual operation version





© Philips Lighting Holding B.V. 2016. All rights reserved. Philips reserves the right to make changes in specification and/or to discontinue any product at any time without notice or obligation and will not be liable for any consequences resulting from the use of this publication.

www.strandlighting.com

01/2017

Data subject to change.