

TV and location lights

200F

Philips Strand 200F is a medium power LED TV fresnel, providing the light output equivalent to a 1000W tungsten fresnel, designed specifically for TV broadcast lighting. A very high TLCI rating provides an excellent quality of light, perfect for the camera.

The range includes two color temperatures, 3200K and 5600K in both manual and pole operated formats. Perfect for studio use.

Product data



Features and benefits

- High TLCI.
- Available as manual and pole operation.
- Shaft focus design, with manual knob at rear and angled pole operation cup at the front.
- 3 selectable fan modes for complete control - silent / brightness / on.
- Selectable LED or “tungsten” response.
- Built-in 3 tungsten dimmer curves for matching legacy lighting.
- Color LCD display.
- Easy “touch and turn” operation with 8 soft buttons and wheel.
- USB port for firmware upgrade and performance log file download.
- Local and DMX control.
- RDM setup.
- powerCON AC and 5 pin DMX in & thru connectors.
- Two year limited warranty.

Source	LED
Wattage	180W (max)
Color temperature	3200K 5600K
TLCI	96 95
Beam angle	12-60°
Lens size	Ø175mm (6.89in)
Color filter size	Ø227mm (8.94in)
Dimming	Local DMX 8 or 16-bit
Operating voltage	90-240VAC (auto-ranging)
Frequency	50/60Hz
Current draw	0.82A (max)
Power consumption	180W (max)
Ambient temperature	0-37°C (32-99°F)
Cooling	Fan
Humidity	0-95% non-condensing
IP rating	IP20
Finish	Black
Construction	Aluminium extrusion and casting
Dimensions H x W x D (max)	326 x 603 x 326mm (12.84 x 23.74 x 12.84in) Manual operation 346 x 603 x 326mm (13.62 x 23.74 x 12.84in) Pole operation
Weight	7.4kg (16.3lb) Manual operation 7.9kg (17.4lb) Pole operation
Warranty	2 years

Product data

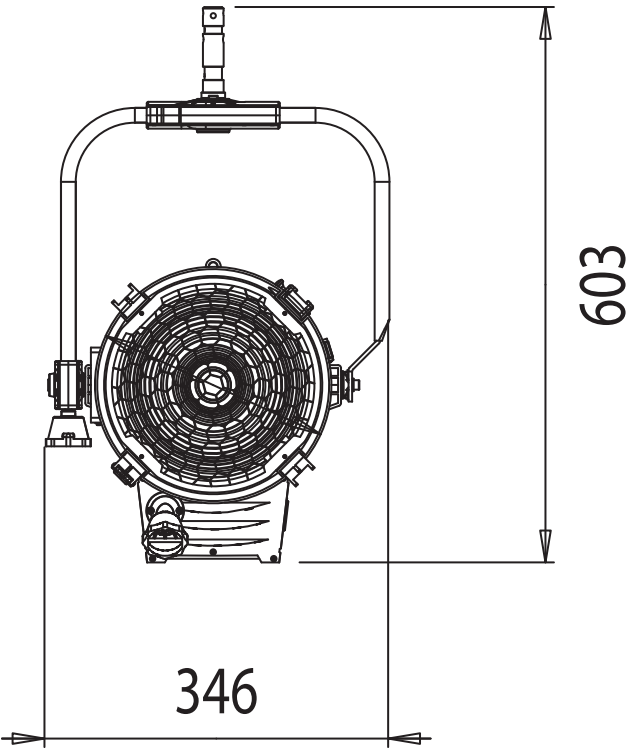
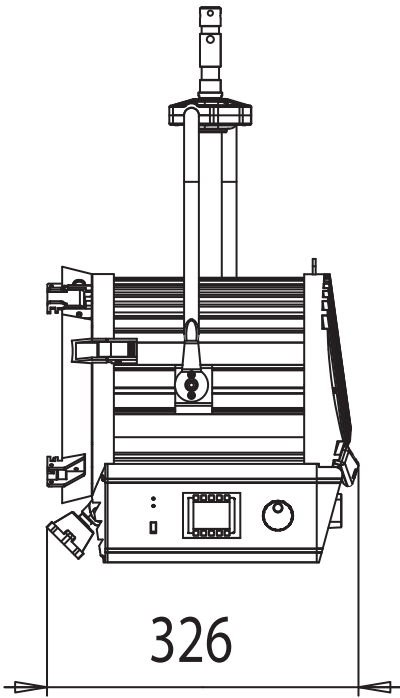
Philips Strand 200F

Type	Color temp	TLCI	Wattage	Beam	Overall dimensions W x H x D	Weight	Order Code
Manual operation	3200K	96	180W	12-60°	326 x 603 x 326mm (12.84 x 23.74 x 12.84in)	7.4kg (16.3lb)	200FTVTUNGMO
Manual operation	5600K	95	180W	12-60°	326 x 603 x 326mm (12.84 x 23.74 x 12.84in)	7.4kg (16.3lb)	200FTVDAYLTMO
Pole operation	3200K	96	180W	12-60°	346 x 603 x 326mm (13.62 x 23.74 x 12.84in)	7.9kg (17.4lb)	200FTVTUNGPO
Pole operation	5600K	95	180W	12-60°	346 x 603 x 326mm (13.62 x 23.74 x 12.84in)	7.9kg (17.4lb)	200FTVDAYLTPO

Accessories

	Order Code
Spare 4 leaf barndoor	200FTVBD

Dimensional drawing





© Philips Lighting Holding B.V. 2016. All rights reserved. Philips reserves the right to make changes in specification and/or to discontinue any product at any time without notice or obligation and will not be liable for any consequences resulting from the use of this publication.

04/2017

Data subject to change.

philips.com/strandlighting