



Intelligent lights – beam **VL6000 Beam**

Designed specifically as the market-leading mid-air effects fixture, the Philips Vari-Lite VL6000 Beam sets a new standard in its class.

A large 14inch (356mm) front aperture – using a new exclusive Philips ellipsoid reflector array system – produces a retro style searchlight effect, with a high output tight collimated shaft of light at 6.4°, which exceeds 55,000 lumens.

Its lightweight robust construction and stylish compact design, allows the fixture to transport and install easily, while its visual effects and weather guarded design – for limited protection from rain – offer something versatile and truly spectacular for arena applications.

The exclusive cloaked transition generator system can be used to create auto-timed fades between color combo to reduce programming time in transitioning colors.

Product data



Features and benefits

- Static dynamic color system allows the VL6000 Beam to maintain its highest output at all times and gives the operator 18 direct colors from 3 color wheels as well as color mixing to achieve up to 55 full color combinations and endless split color effects.
- Produces a high output, tight collimated shaft of light at 6.4° and 55,000 lumens.
- The exclusive cloaked transition generator system can be used to create auto-timed fades between color combo to reduce programming time in transitioning colors.
- Aerial beam and image projection system consists of a variable iris reducing the 6.4° to near 1° beam angle, mid-air and projected images area produced via 7 interchangeable fully rotatable and index able gobos, the edge sharpness and image appearance can be further adjusted via the dedicated focus channel.
- Cloud search mode allows the fixture to be operated without the need of a control console for stand alone applications.
- Includes 1500W short Arc lamp.

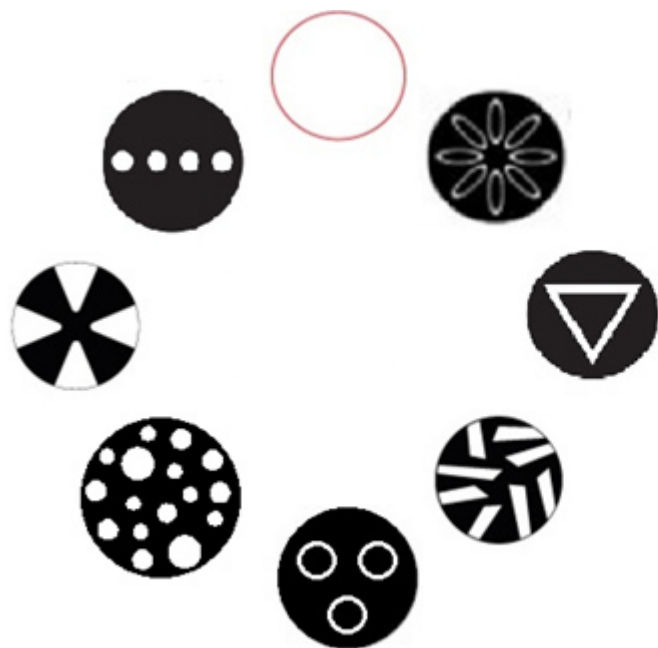
Source	PGJX50
Lamp cap	FastFit
Wattage	1500W
Lumen output (max.)	55,000
Color temperature	6300K
CRI	>80
Beam angle	6.4°
Pan / tilt	540° / 242°
Controls	DMX512-A / RDM
DMX channels	23
Color system	3 fixed color wheels
Gobo / effects	1 x 7 + open index / rotating wheel
Independent rotating prism	No
Independent frost	Yes
Dimmer / strobe	Mechanical glass wheel / dual independent strobe blades
Framing shutters / beam shaping	No
Color calibration	N/A
Accessories	N/A
Operating voltage	200-240VAC, 50/60Hz
IP rating	IP22
Operating temperature	-20-50°C non-condensing, 33-50°C condensing
Construction	Metal frame, engineering plastic covers
Finish	Black
Dimensions L x H x W	660 x 605 x 600mm (25.94 x 23.80 x 24in)
Hanging centers	622mm (24.5in)
Weight	28.0kg (61.5lb)
Warranty	2 years

Product data

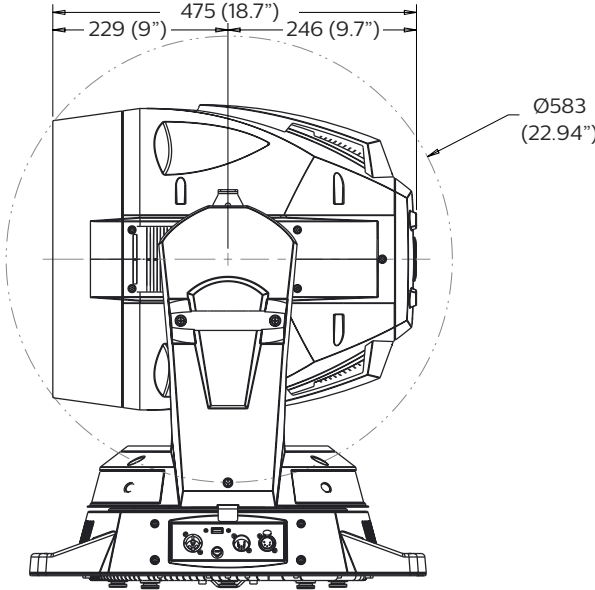
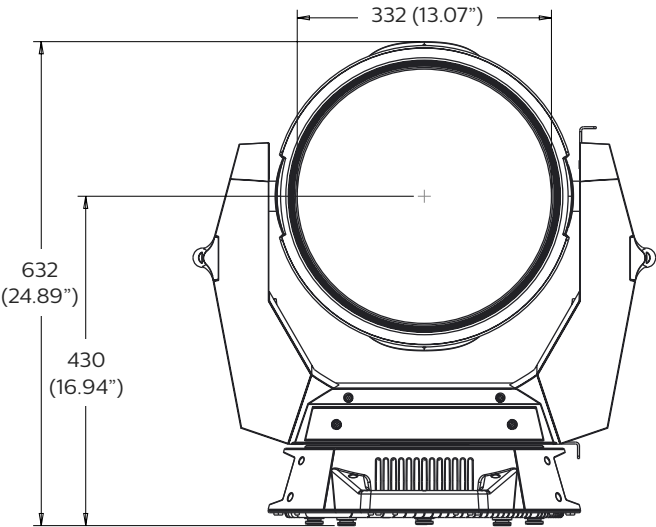
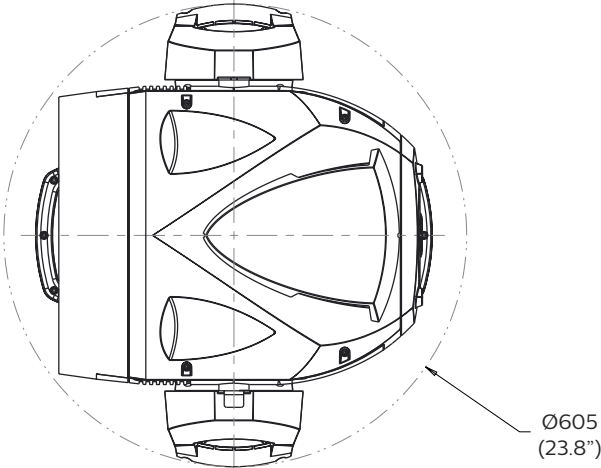
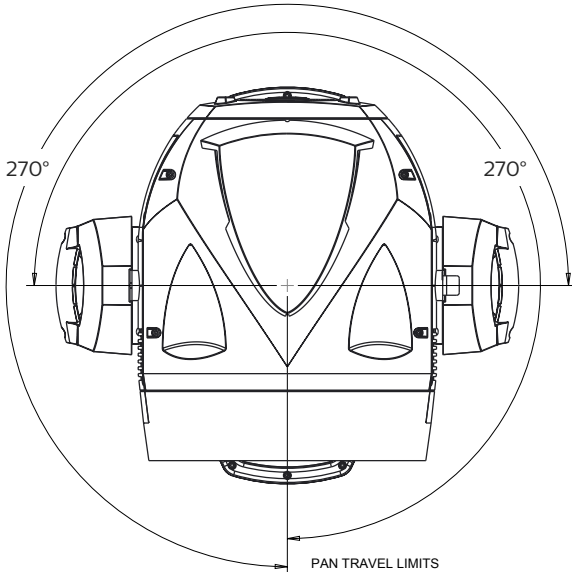
Philips Vari-Lite VL6000 Beam

	Wattage	Beam	Overall dimensions W x H x D	Weight	Order Code
VL6000 Beam luminaire	1500W	6.4°	660 x 605 x 600mm (25.94 x 23.80 x 24in)	28.0kg (61.5lb)	20.9780.0001
Luminaire programing kit					PEGASUS

Pre-loaded gobo	Order Code
0	Open
1	Circle of ovals
2	Medium triangle
3	Chopped
4	Tri cone
5	Ballz
6	Blades
7	4-hole ray



Dimensional drawing





© Philips Lighting Holding B.V. 2017. All rights reserved. Philips reserves the right to make changes in specification and/or to discontinue any product at any time without notice or obligation and will not be liable for any consequences resulting from the use of this publication.

www.philips.com/vari-lite

04/2017

Data subject to change. All measurements quoted primarily in millimeters.