

PRODUCT: VL6000 Luminaire

SUBJECT: Side Hang Orientation

OVERVIEW

This technical notice is for informational purposes only. No action is required.

Read this notice in its entirety and retain for future reference!

VL6000 LUMINAIRE SIDE HANG ORIENTATION

Philips Entertainment Lighting would like to advise all users and owners of the VL6000 Luminaire of the following information in regard to hanging the unit in a side hang position.

When hanging the luminaire in a side hang position, orient the enclosure as shown in **Figure 1**. Natural convection and the designed direction of the inlet and exhaust cooling fans dictate that the inlet should be closest to the floor and the exhaust should be towards the ceiling. This eliminates the possibility of one luminaire blowing exhaust air into the inlet of the luminaire next to it when the luminaires are side-by-side.

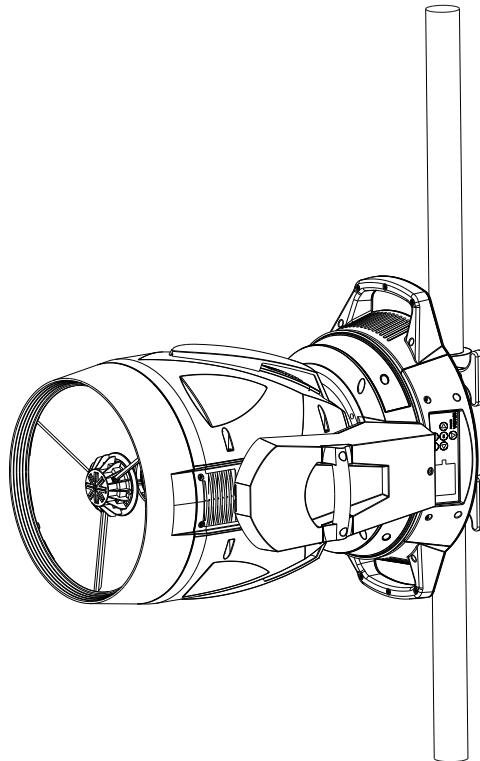


Figure 1: Side Hang Orientation

If the luminaires are stacked on top of one another in a side hang, a 45° enclosure orientation with the fan inlet closest to the floor is preferred. Refer to [Figure 2](#).

These two orientations in a side hang have the extra benefit of a stiffer pan interface in the luminaire.

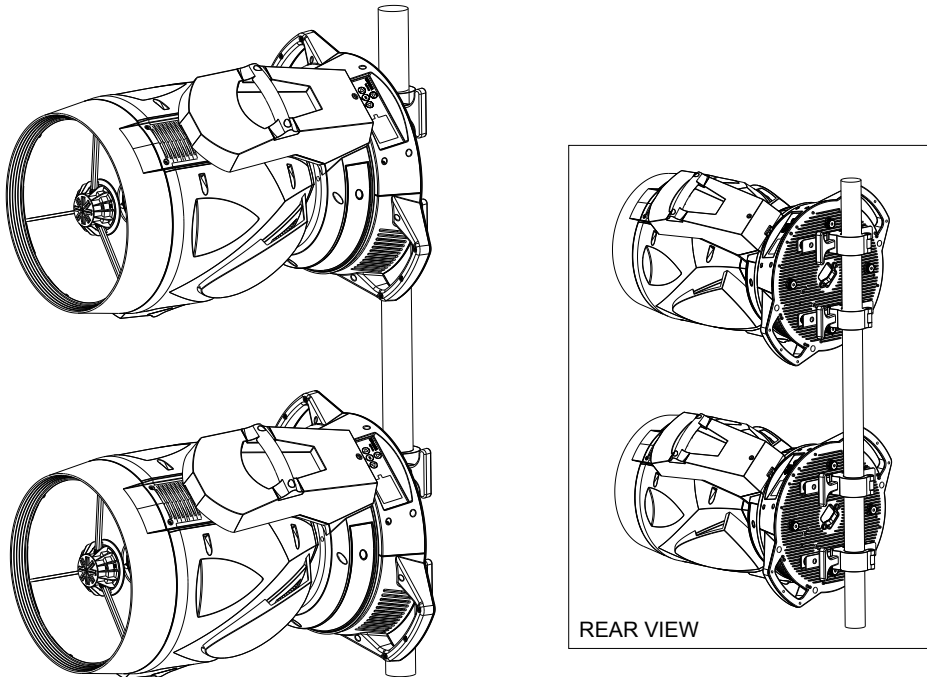


Figure 2: Dual Fixture Side Hang Orientation

CONTACT INFORMATION

If you have any questions as to any aspect of this Technical Notice, please contact Philips Entertainment Lighting customer service at 1-877-VARILITE or +1-214-647-7880.