



Intelligent lights – spots

VLZ Spot

The Philips Vari-Lite VLZ Spot is a dedicated spot luminaire utilizing the latest high output white LED sources to produce a staggering 25,000 lumens projected from a 180mm (7”) front lens.

The familiar CMY-CTO color system creates stunning, seamless mixed colors. The dual fixed color wheel with linear control gives access to Vari-Lite colors and split color combinations. Color shake and color wheel spin control have also been added to the mix.

Dual rotating and indexable gobo wheels produce stunning mid-air and break up effects. The high contrast flat field wide zoom range and iris will cover beam control from the narrowest shafts of light to a hard focused wide projection. Multiple beam effects can be produced using the 3 faceted linear prism. Hard to soft edge focusing is attained via the 16-bit focus control channel, and focus zoom tracking can be selected remotely via a console. The beam softness can be adjusted via the 3 way frost control.

The combination of the color and beam control makes the VLZ Spot the go-to professional moving spot luminaire.

Product data



Feature and benefits

- 25,000 lumens.
- 7-50° zoom.
- Large visual impact 180mm (7") front lens.
- High output White Light LED light source engine to maintain constant high output light levels.
- Wide zoom range.
- 16-bit dimmer control with 4 sectable curves.
- Color mixing system CMY + CTO color control.
- 12 fixed color - 2 color wheels 6 + open with color shake and wheel spin functions.
- 2 fully rotating and indexing gobo wheel loaded interchangeable mid-effect and breakup gobos.
- 3 frost for beam softening.
- 3 facet prism.
- Iris for beam size reduction.
- Fast, accurate and repeatable movement on all functions.

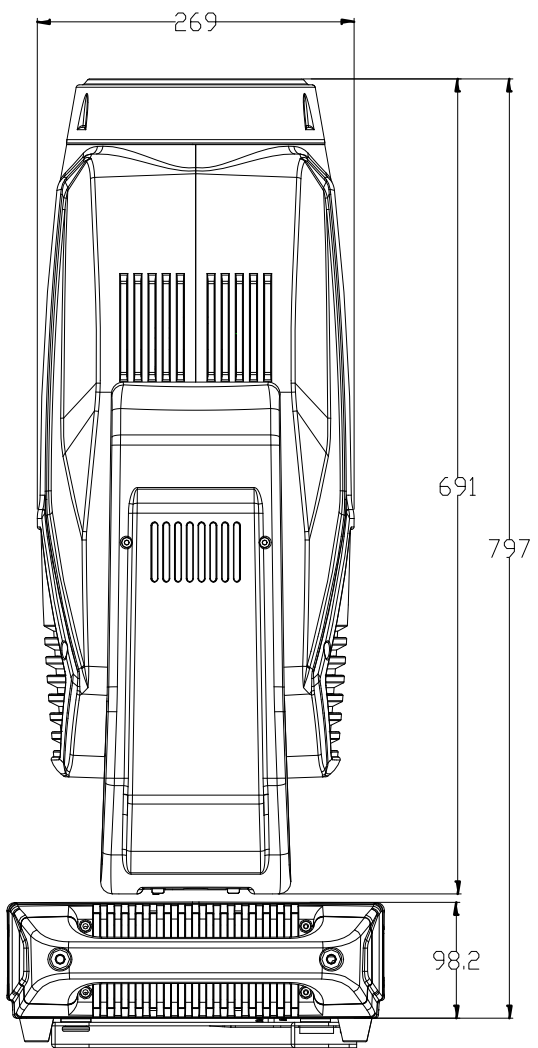
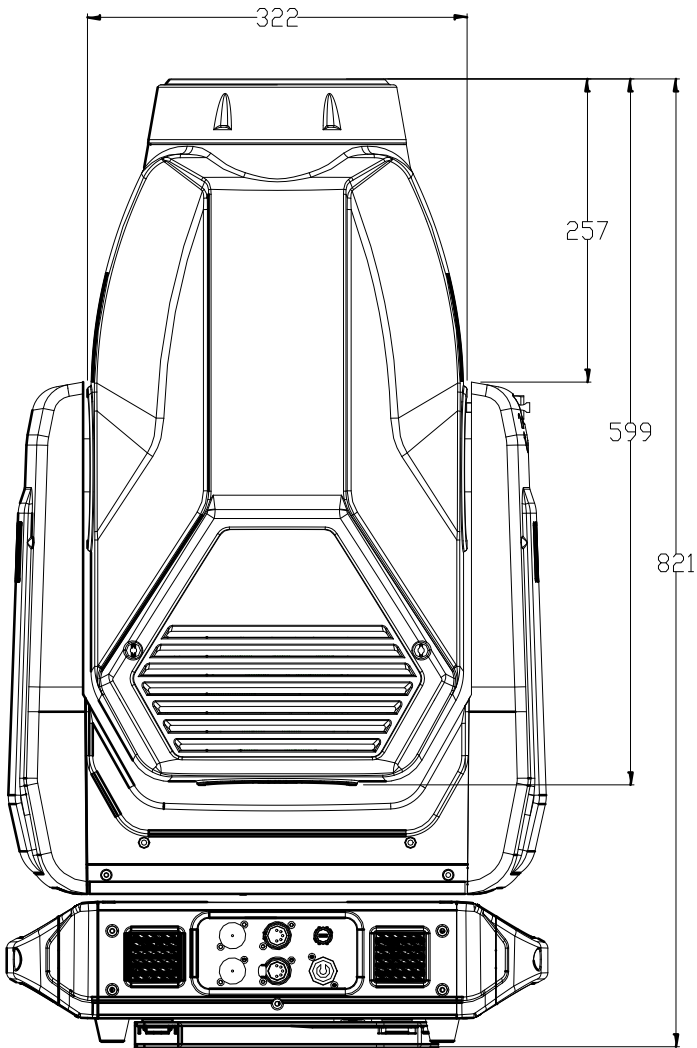
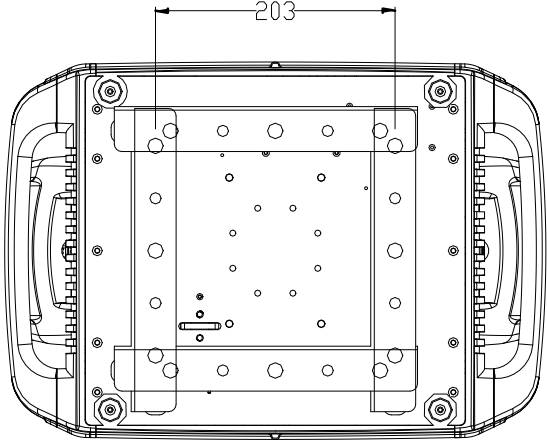
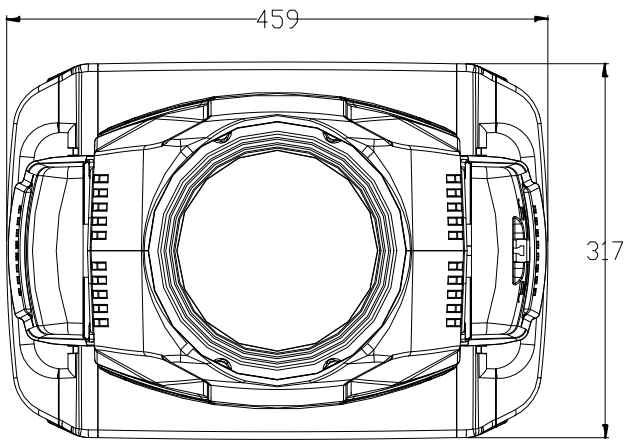
Source	LED
Lamp cap	N/A
Wattage	620W
Lumen output (max.)	25,000
Color temperature	8000K source, variable CTO
CRI	>70
Beam angle	7-50°
Pan / tilt	540° / 270°
Controls	DMX512-A / RDM, Art-Net™
DMX channels	42
Color system	CMY, variable CTO 2 x fixed color wheels 6 + open
Gobo / effects	2 x rotating / indexing wheel 7+ open
Independent rotating prism	3 facet round
Independent frost	3 way frost system
Dimmer / strobe	Electronic 16-bit
Framing shutters / beam shaping	No
Iris	Yes
Color claibration	N/A
Accessories	-
Operating voltage	100-240VAC, 50/60Hz
IP rating	IP20
Operating temperature	-10-45°C
Construction	Metal frame, engineering plastic covers
Finish	Black
Dimensions H x W x L	458 x 316 x 809mm (18.03 x 12.44 x 31.85in)
Hanging centers	600mm (23.62in)
Weight	44.0kg (97lb)
Warranty	2 years

Product data

Philips Vari-Lite VLZ Spot

	Wattage	Beam	Overall dimensions W x H x D	Weight	Order Code
Philips Vari-Lite VLZ automated LED Spot with input power powerCON connector AC100-240V	620W	7-50°	458 x 316 x 809mm (18.03 x 12.44 x 31.85in)	44kg (97lb)	26-105-0001-00
Luminaire programing kit					PEGASUS

Dimensional drawing





© Philips Lighting Holding B.V. 2017. All rights reserved. Philips reserves the right to make changes in specification and/or to discontinue any product at any time without notice or obligation and will not be liable for any consequences resulting from the use of this publication.

www.philips.com/vari-lite

04/2017

Data subject to change. All measurements quoted primarily in millimeters.